



**CITY OF AZTEC  
REQUEST FOR QUOTATION  
RFQ #2017-613**

DATE: 5/11/2017	RETURN TO: CITY OF AZTEC	THIS IS NOT AN ORDER
RFQ #: 2017-613	ATTN: RFQ #2017-613	
DUE DATE: 5/18/17	201 W CHACO	
TIME: 2:00 PM	AZTEC NM 87410 EMAIL: klamb@aztecnm.gov  PHONE: (505) 334-7653 FAX: (505) 334-7649	

NAME OF COMPANY SUBMITTING QUOTE: \_\_\_\_\_

NEW MEXICO IN STATE PREFERENCE	PAYMENT TERMS	F.O.B./FREIGHT TERMS	SHIPPING TIME
# _____  <u>In-State or Veteran's Preference will be applied to only those certified vendors who have completed item 6 or 7 below.</u>  <b>Number AND certificate must be provided to be considered.</b>	_____ % _____ DAYS  NET 30 DAYS AFTER RECEIPT OF INVOICE	Little Sarah, Aztec NM 87410	

**NOTES TO BIDDERS:** Delivery will be to project site in Aztec and must be coordinated with City of Aztec Public Works Department

DESCRIPTION	QTY	PRICE
<b>3' x 3' DROP INLET TO SPECIFICATION (drawing attached)</b>		
3 ft x 3 ft – 7 ft (inside Dimension) Concrete Drop inlet w/ 6" floor and walls w/ opening for 36" culvert plus 4 ft x 4 ft – 8" concrete slab top + 1 – 24" x 36" opening	1	
#2047 Concrete Drop Inlet Frame, grates, nosing,	1	
<b>3' X 6' DROP INLET TO SPECIFICATION (drawing attached)</b>		
3 ft x 6 ft – 7 ft (inside dimension) Concrete Drop inlet w/ 6" floor and walls w/ 2 openings for 36" culvert plus 4 ft x 8 ft – 8" concrete slab top + 1 – 24" x 72" opening	1	
#2047 Concrete Drop Inlet Frame, grates, nosing	2	
6" WF Beam 3' – 6" long (42")	1	

Refer all questions regarding this Request for Quotation to William Watson at (505) 334-7661 or email [wwatson@aztecnm.gov](mailto:wwatson@aztecnm.gov)

1. RFQ should be based on FOB Destination with freight allowed and must indicate normal lead time and/or best delivery date on the items listed.
2. This RFQ and any required documents must be received by the Department indicated on the RFQ by the date and time indicated.
3. All supplies and components quoted shall be new unless indicated otherwise. Any quotes submitted for used or reconditioned supplies or components will be considered non-responsive. Quotes must be valid for a minimum of 30 days.
4. The RFQ Number shall appear on all quotations and related correspondence.
5. In-State/Resident Vendor Preference: Will only be applied to those Bidders who have been issued a certification number from the State of New Mexico Taxation & Revenue Department and return a copy of their certificate with their bid. Resident Veterans Preference is separate from the in-state preference and is not cumulative with that preference.
6. RFQ's may be returned via email, fax or USPS. (Reference Item #2)
7. By law (Section 13-1-191, NMSA, 1978) the City is required to inform Vendors of the following: (1) it is a third-degree felony under New Mexico law to commit the offense of bribery of a public officer or public employee (Section 30-24-1, NMSA, 1978); (2) it is a third-degree felony to commit the offense of demanding or receiving a bribe by a public officer or public employee (Section 30-24-2, NMSA, 1978); (3) it is a fourth-degree felony to commit the offense of soliciting or receiving illegal kickbacks (Section 30-41-1, NMSA, 1978); (4) it is a fourth-degree felony to commit the offense of offering or paying illegal kickbacks (Section 30-41-2, NMSA, 1978).
8. Conflict of Interest: Bidder warrants that it presently has no interest and will not acquire any interest, direct or indirect, which would conflict in any manner or degree with the performance of service under this contract. Bidder must notify the City's Chief Procurement Officer if any employee(s) of the requesting department or the Purchasing Office have a financial interest in the Bidder. If yes, the Bidder must specify the employee(s) name in their proposal.
9. Debarment, Suspension, and Ineligibility: By submitting a response (RFQ/Bid/Offer) to this solicitation, the business (Bidder/Offeror/Contractor) represents and warrants that it is not debarred, suspended, or placed in ineligibility under the provisions of Federal Executive Order 12549.

DATE	
SUBMITTED BY (Printed Name)	
SIGNATURE (To be valid offer, bidder must sign here)	
COMPANY NAME	
ADDRESS	
TELEPHONE	
FAX	
EMAIL ADDRESS	
FED TAX ID NUMBER	
NM CRS ID NUMBER	

# 3' X 3' X 7' ID CURB DROP INLET

- DESIGN NOTES:
1. 4000 PSI DESIGN MIX
  2. MEETS OR EXCEEDS ASTM C-913 SPECIFICATIONS.
  3. LIFTING EYES IN FLOOR

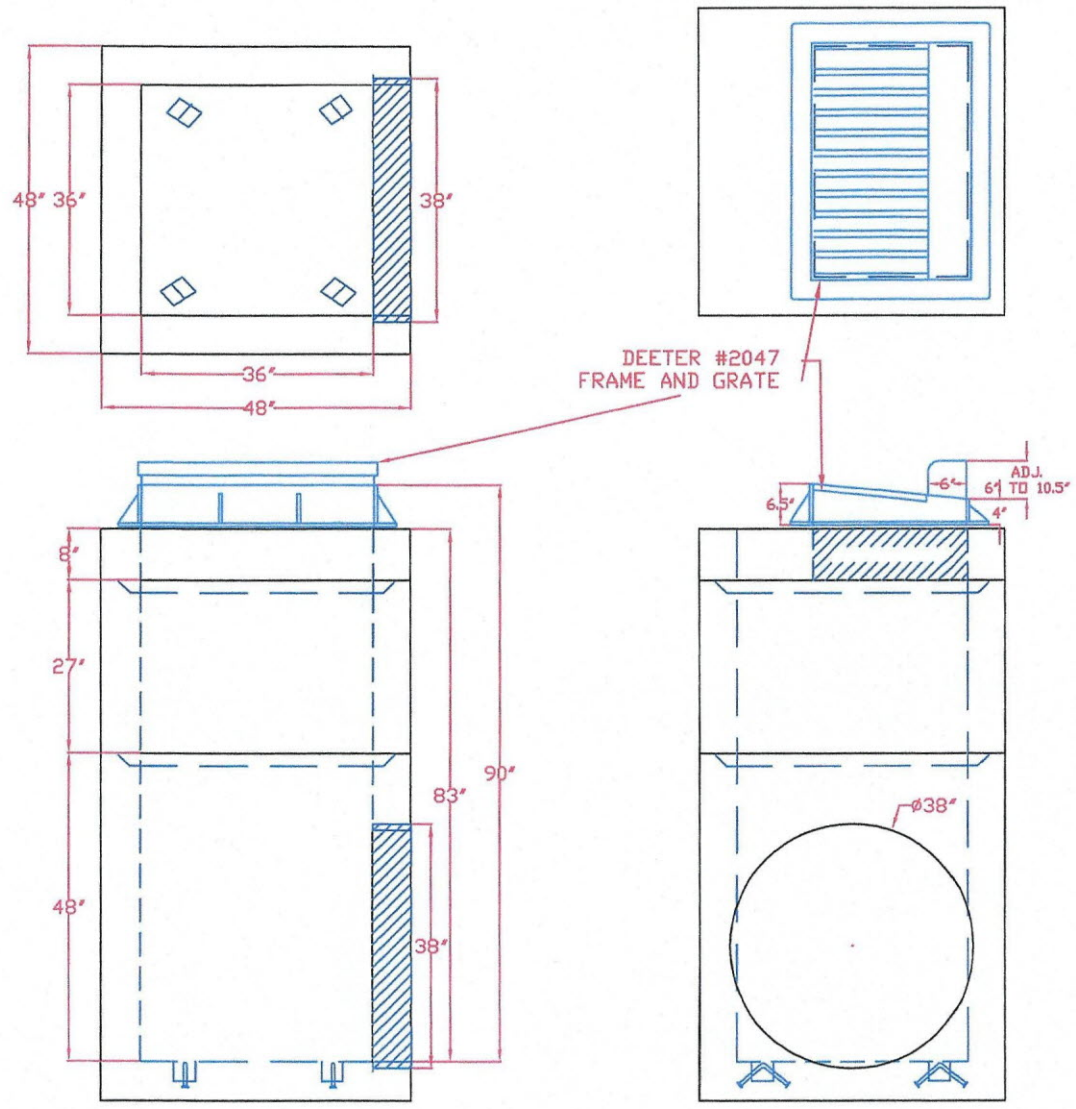
- REBAR NOTES:
- GRADE 60
1. FLOOR  
#4 REBAR 10" OCEW
  2. WALLS  
#4 REBAR 10" OCEW

TOTAL HEIGHT = 7.50'

GRATE = N/A

INVERT OUT = N/A (36")

HOLES DESIGNED FOR 36" CULVERT PIPE



TITLE:	3' x 3' - 83" ID DROP INLET
PROJECT:	AZTEC NEW MEXICO
	CITY OF AZTEC

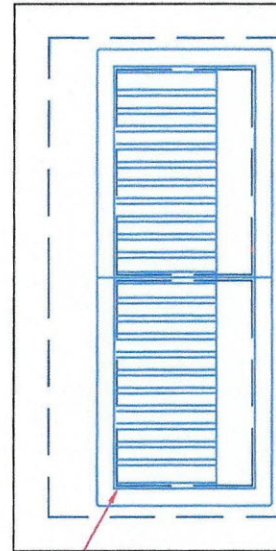
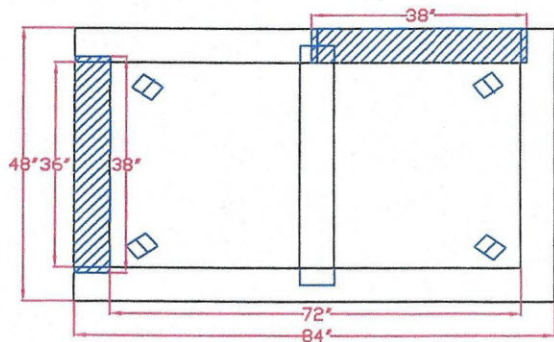
# 3' X 6' X 7' ID CURB DROP INLET

## DESIGN NOTES:

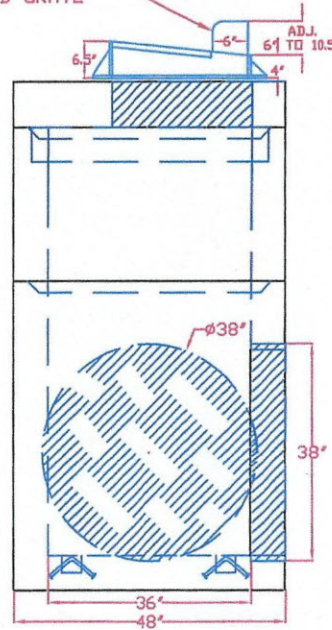
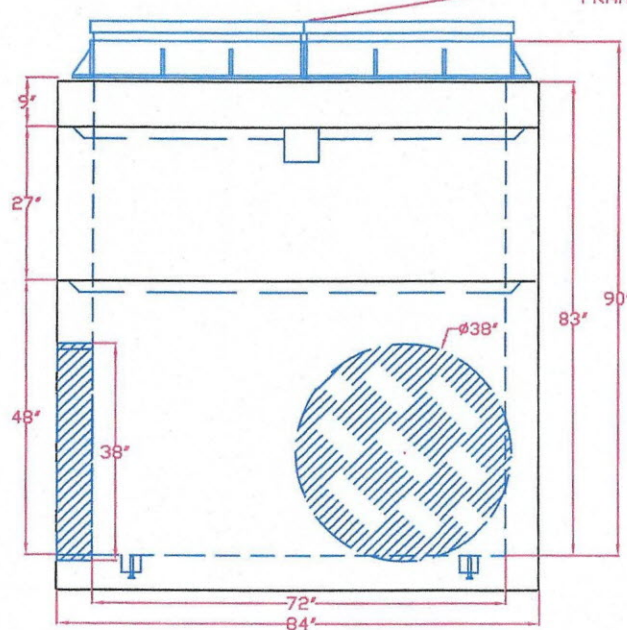
1. 4000 PSI DESIGN MIX
2. MEETS OR EXCEEDS  
ASTM C-913  
SPECIFICATIONS.
3. LIFTING EYES IN FLOOR

## REBAR NOTES:

- GRADE 60
1. FLOOR  
#4 REBAR 10" OCEW
  2. WALLS  
#4 REBAR 10" OCEW



DEETER #2047  
FRAME AND GRATE



TOTAL HEIGHT = 7.50'

GRATE = N/A

INVERT IN = N/A (36")

INVERT OUT = N/A (36")

HOLES DESIGNED FOR  
36" CULVERT PIPE

TITLE: 3' x 6' - 83" ID DROP INLET

PROJECT: AZTEC NEW MEXICO

CITY OF AZTEC