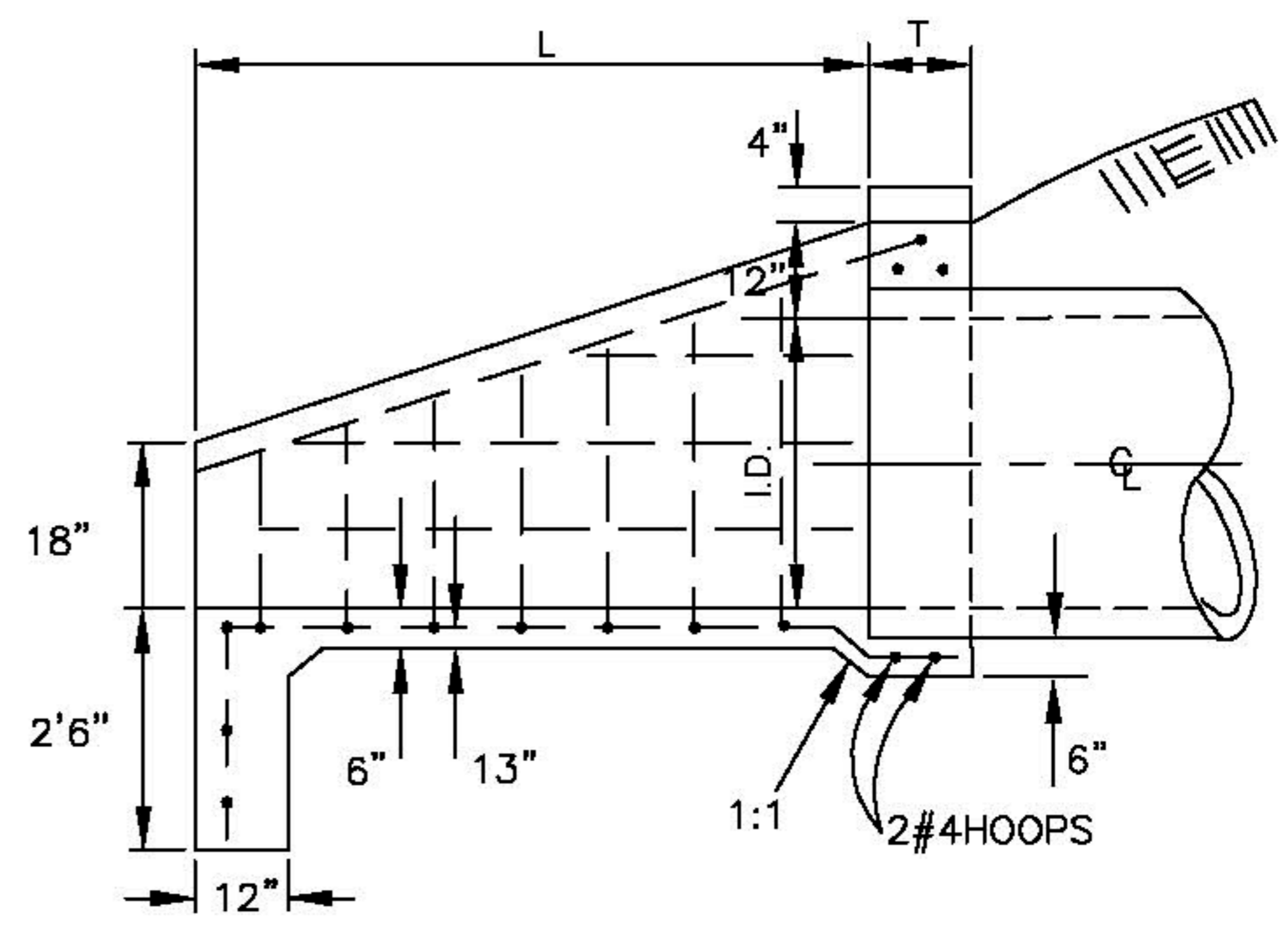


SECTION A-A



LONGITUDINAL SECTION

NOTE:  
 ALL BARS #4@12" MIN. 2 1/2" CLEAR OUTSIDE FACE  
 OR AS SHOWN.

PIPE  INSIDE DIAMETER	DIMENSIONS				APPROXIMATE QUANTITIES			
	T	L	W	B	SINGLE PIPE HEADWALL		ADD EACH ADDITIONAL PIPE	
					CONC. C.Y.	REIN. STEEL LBS.	CONC. C.Y.	REIN. STEEL LBS.
12	8	4'-0"	5'-7 7/16"	1'-6"	1.60	93	0.71	38
15	8	4'-6"	6'-5 3/8"	1'-6"	1.72	118	0.73	44
18	8	5'-0"	7'-3 1/4"	1'-9"	2.00	133	0.92	49
21	9	5'-6"	7'-6 5/16"	1'-9"	2.39	150	1.09	55
24	9	6'-0"	8'-11 1/8"	2'-0"	2.79	182	1.35	74
27	9	6'-6"	9'-9"	2'-3"	3.15	201	1.59	80
30	10	7'-0"	10'-7"	2'-6"	3.81	231	1.93	100
36	10	8'-0"	12'-2 7/8"	3'-0"	4.65	288	2.51	130
42	10	9'-0"	13'-10 11/16"	3'-6"	5.61	330	3.19	164
48	11	10'-0"	15'-8 9/16"	4'-0"	7.02	404	4.11	202
54	11	11'-0"	17'-2 7/16"	4'-6"	8.25	468	4.96	242
60	12	12'-0"	18'-10 1/4"	5'-0"	10.16	540	6.11	287
72	12	14'-0"	22'-2"	5'-6"	12.94	650	7.69	344

FOR ELLIPTICAL OR SQUASH PIPE USE NEXT LARGEST HORIZONTAL  
AND VERTICAL PIPE I.D. SHOWN.

CONSTRUCTION  
STANDARDS

PIPE CULVERT FULL HT.  
HEADWALL DIMENSIONS

STANDARD No. D-404 SHEET 2 of 2

CITY OF  
AZTEC  
PUBLIC WORKS  
DEPARTMENT