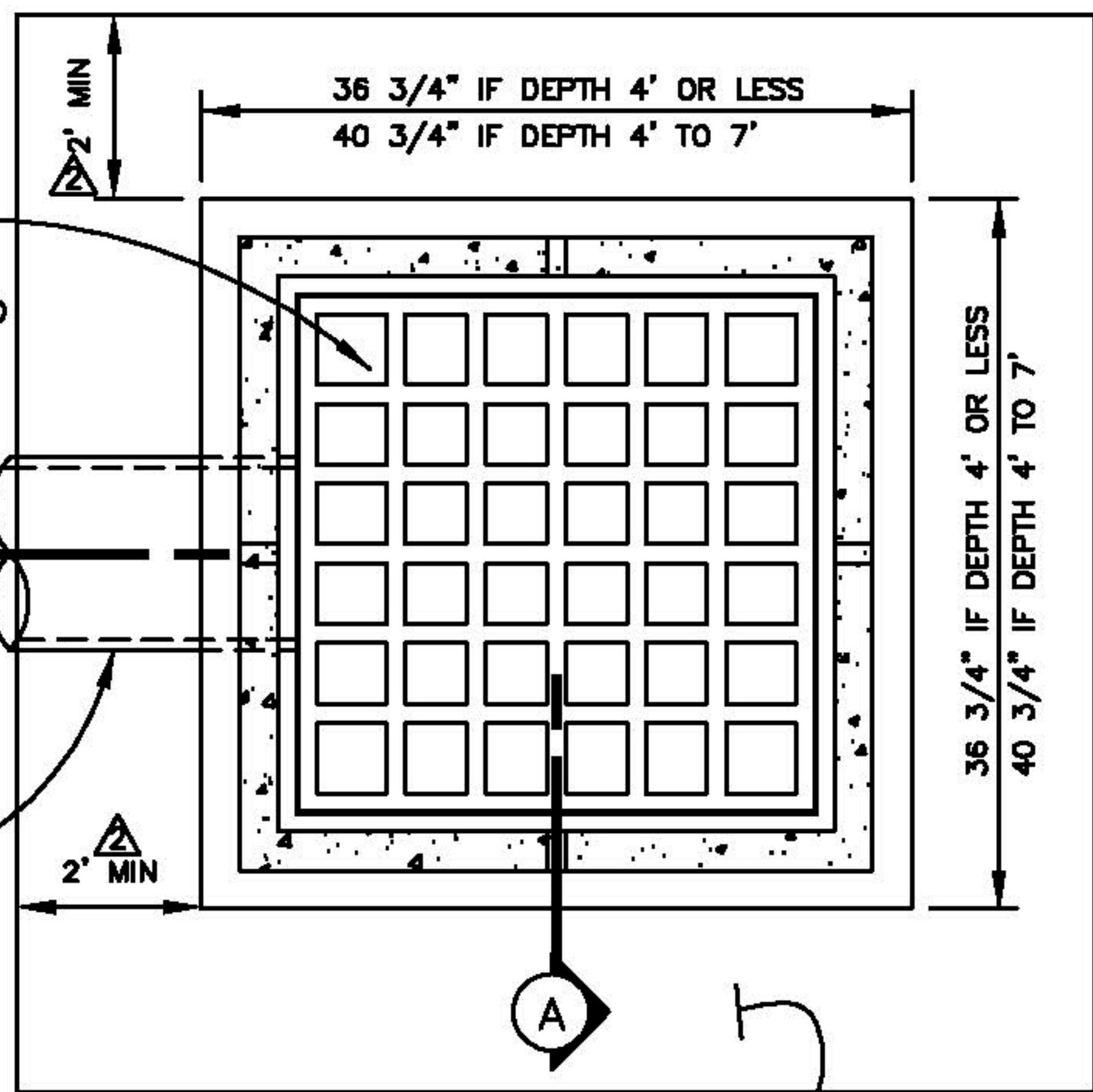


NOTES

- 1) CONCRETE TO BE 6 SACK, 3,000 PSI 28 DAY STRENGTH
- 2) SEE PAVEMENT PATCHING STD. No. 308, 310, & 311
- 3) WALLS & FLOOR TO BE 6" THICK IF BOX IS 4' DEEP OR LESS. 8" THICK IF INLET BOX IS 4'-0" TO 7'-0" DEEP
- 4) PIPE OUTLET 18" DIA. MIN.
- 5) CULVERTS UNDER PUBLIC STREETS SHALL BE RCP OR OTHER NON-FERRIS PIPE WITH CITY ENGINEERS APPROVAL.
- 6) IF CONSTRUCTED IN SOIL SURROUND WITH 2' OF ROCK 6" MINUS.

NEENAH FOUNDRY R-3405, R 3588-L, LIVERED GRATE & FRAME OR APPROVED EQUAL.

OUTLET PIPE SIZE & LOCATION PER PLANS (18" DIA. MIN.)

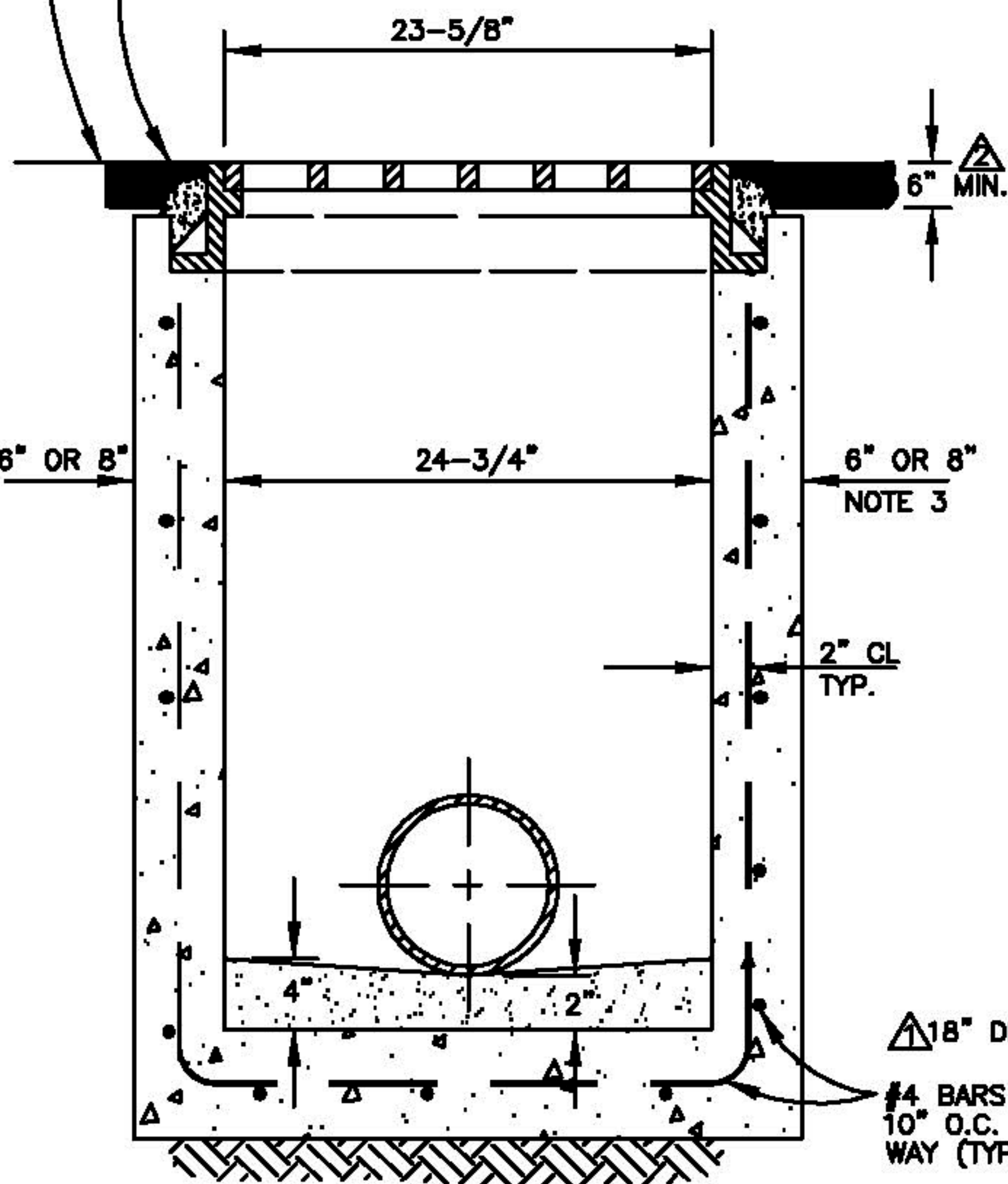


PLAN VIEW

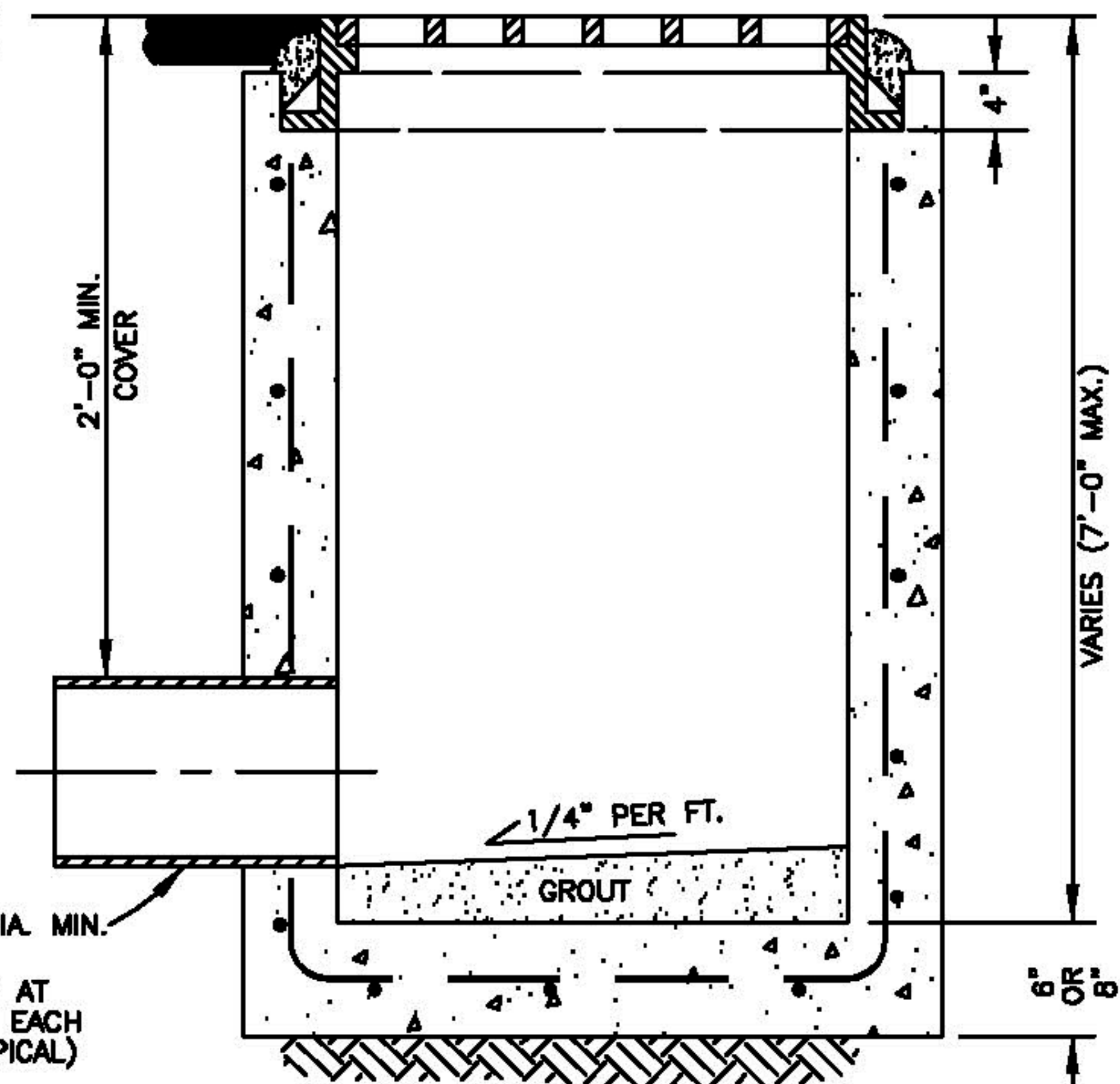
CONCRETE APRON

MATCH EXISTING PAVING (3" MIN. AC)

1-1/2" ASPHALTIC HOT MIX



SECTION A-A



SECTION B-B

REV.	DATE
1	3/1/96
2	01/07/04
3	12/16/04

CONSTRUCTION STANDARDS

SURFACE INLET

STANDARD No. D-506 SHEET 1 OF 1

CITY OF AZTEC
PUBLIC WORKS DEPARTMENT