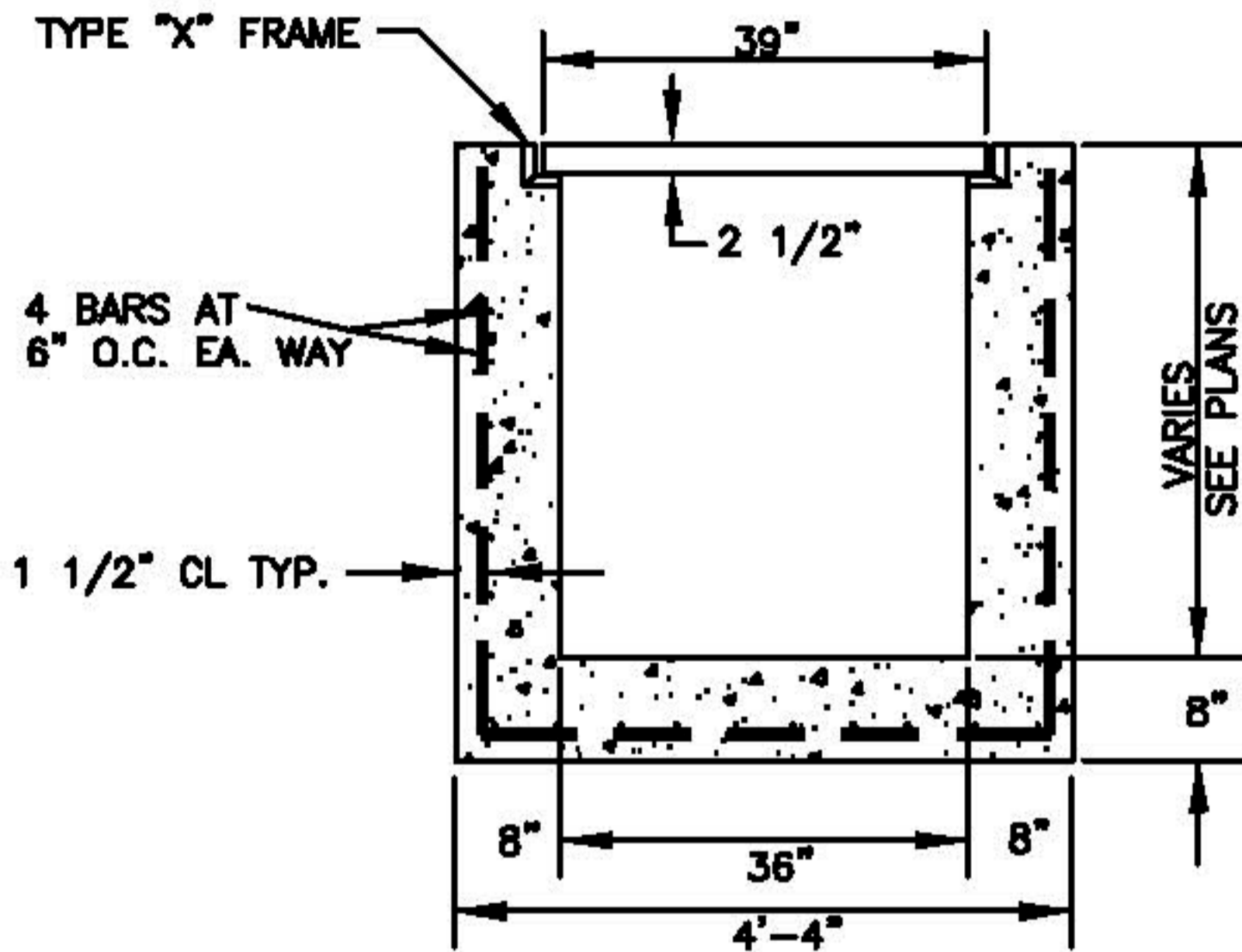


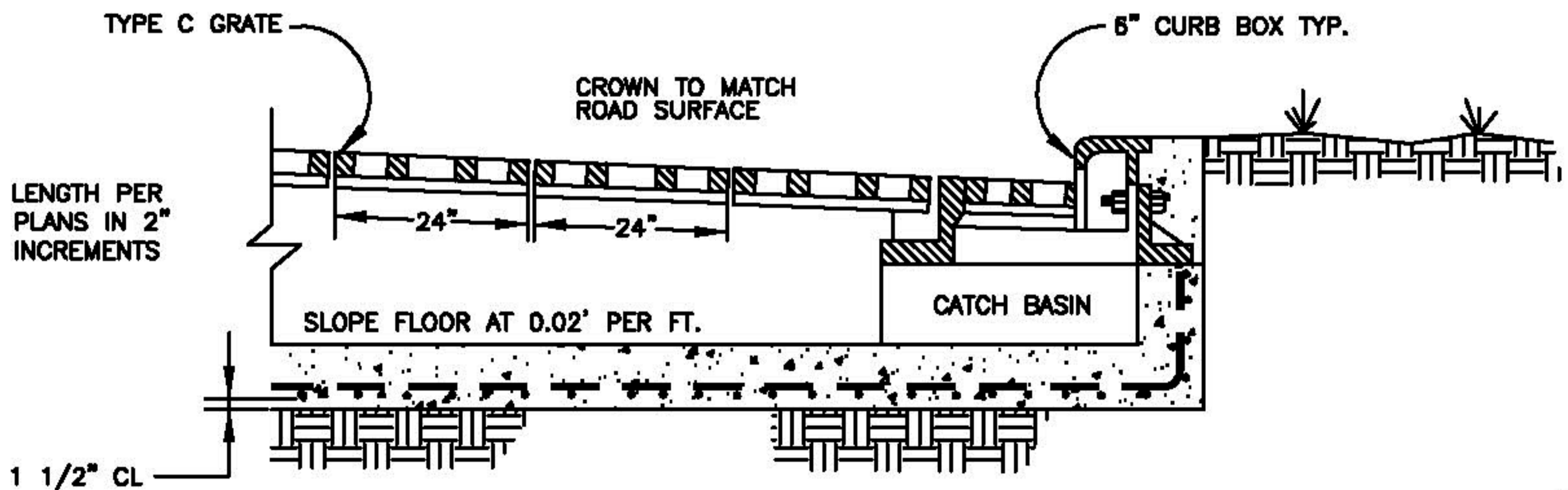
ISOMETRIC VIEW

GENERAL NOTES

- 1) OUTLET PIPE PER DESIGN REQUIREMENTS.
- 2) FOR FLAT OR CROWNED TRANSVERSE DRAINAGE STRUCTURES USE NEENAH R-4999 SERIES WITH TYPE "C" GRATE AND TYPE "X" FRAME, OR APPROVED EQUAL.
- 3) INLETS OR CURB BOXES NEED NOT BE INSTALLED AT BOTH ENDS OF THE TRENCH DRAIN; THEY CAN BE USED IN COMBINATION OR NOT AT ALL, DEPENDING ON DRAINAGE CONDITIONS.
- 4) BOLT GRATES TO FRAMES WITH STAINLESS STEEL BOLTS WHEN REQUIRED.
- △5) CONCRETE TO BE 3,000 P.S.I. 28 DAY TEST. COMPACTION TO 90% OF MODIFIED PROCTOR.



SECTION A-A



SECTION B-B

REV.	DATE
△	01/07/04

CONSTRUCTION STANDARDS

TRANSVERSE DRAINAGE STRUCTURE

STANDARD No. D-510 SHEET 1 OF 1

CITY OF AZTEC
PUBLIC WORKS DEPARTMENT