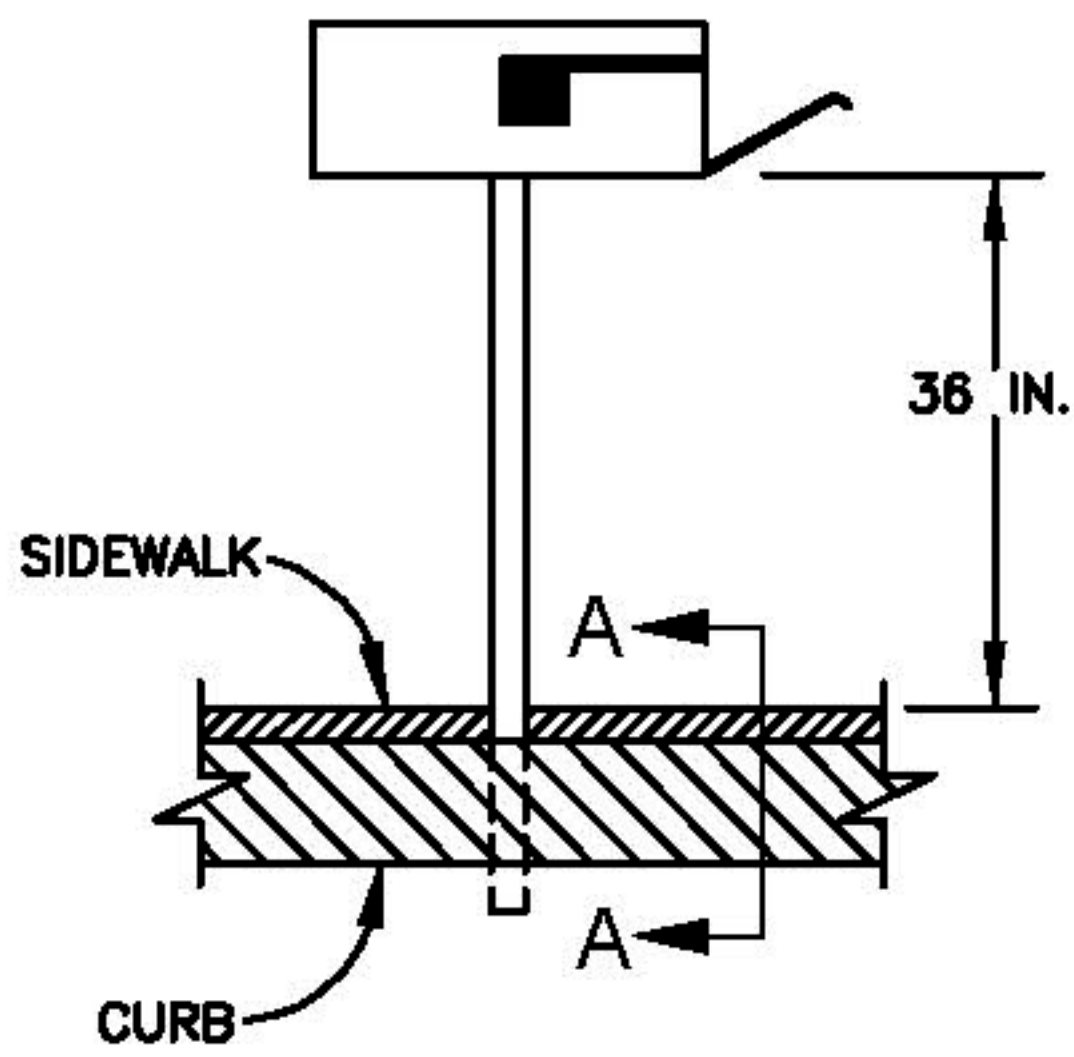
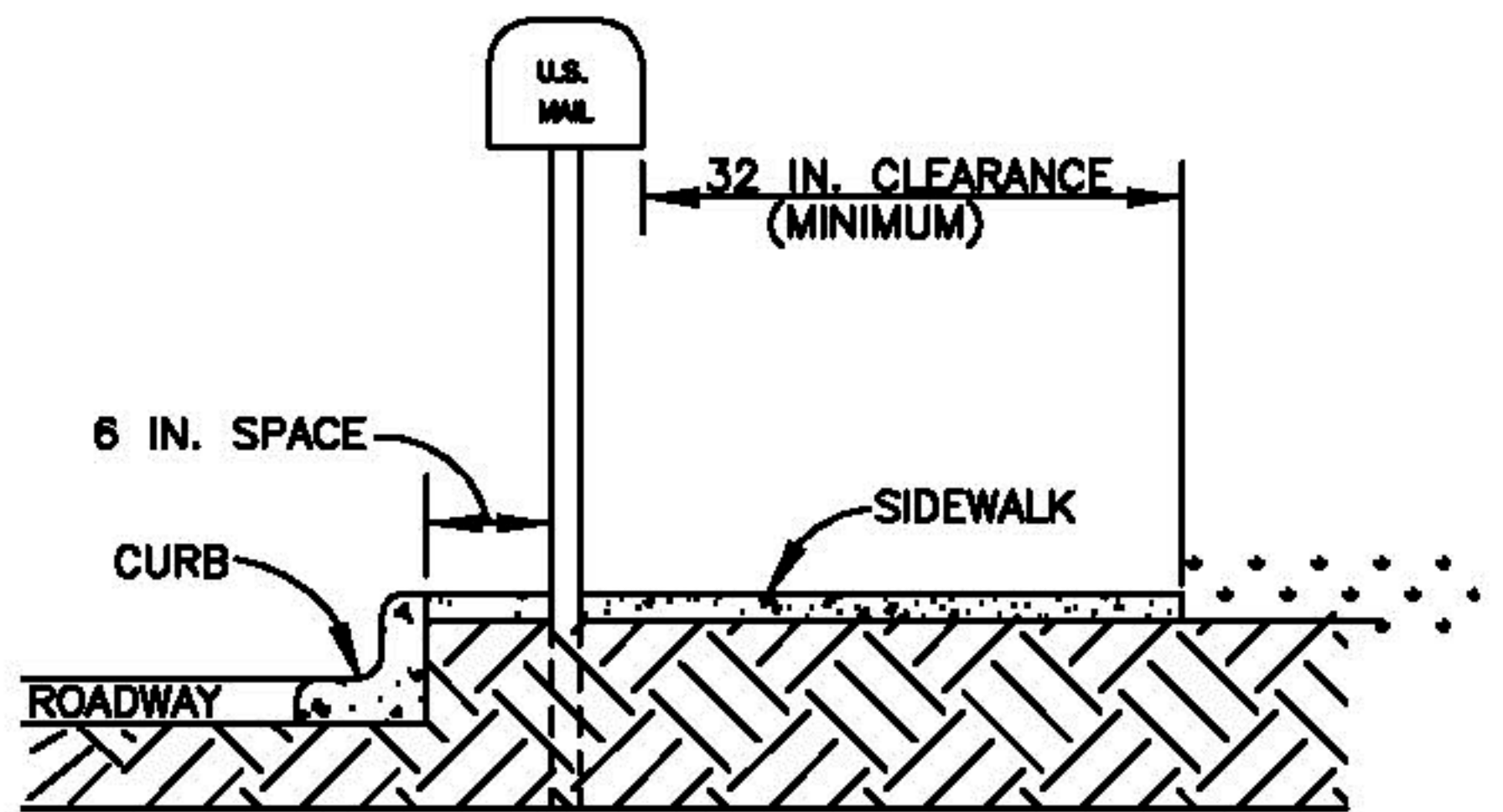


TOP VIEW



FRONT VIEW



SIDE VIEW
(SECTION A-A)

REV.	DATE
1	10/30/95
2	1/20/99

*USE SAME DETAIL FOR PAPER BOX. 

CONSTRUCTION
STANDARDS

MAILBOX DETAIL*

STANDARD No. D-606 SHEET 1 OF 1

CITY OF
AZTEC
PUBLIC WORKS
DEPARTMENT