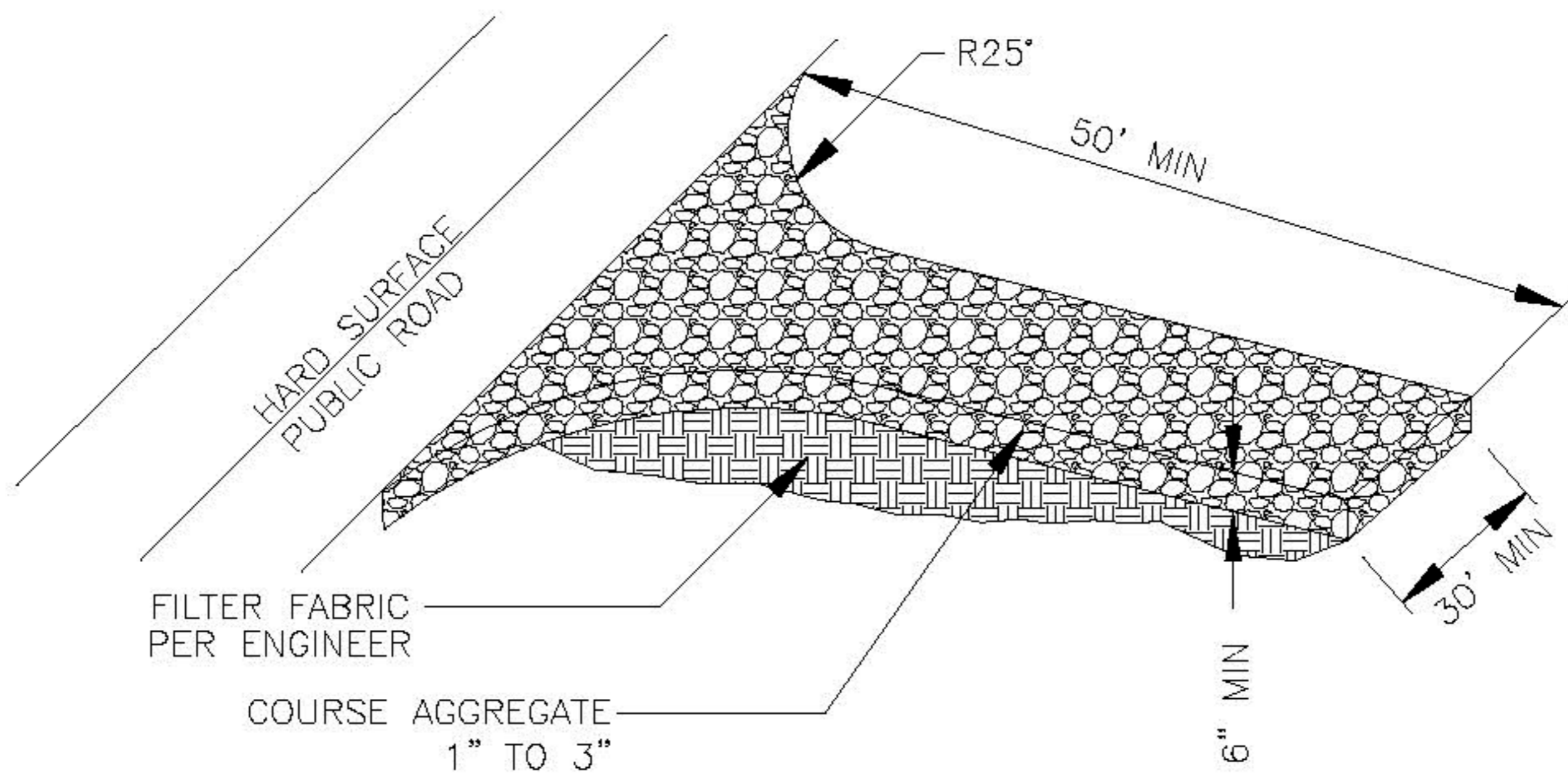
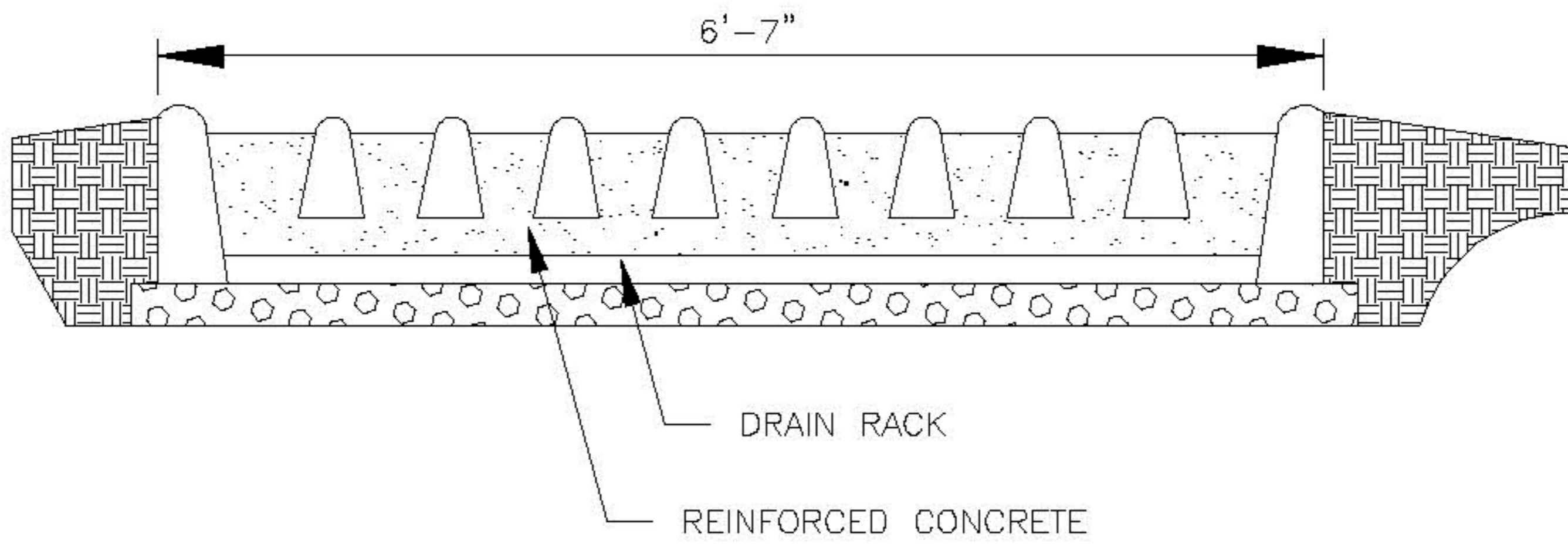
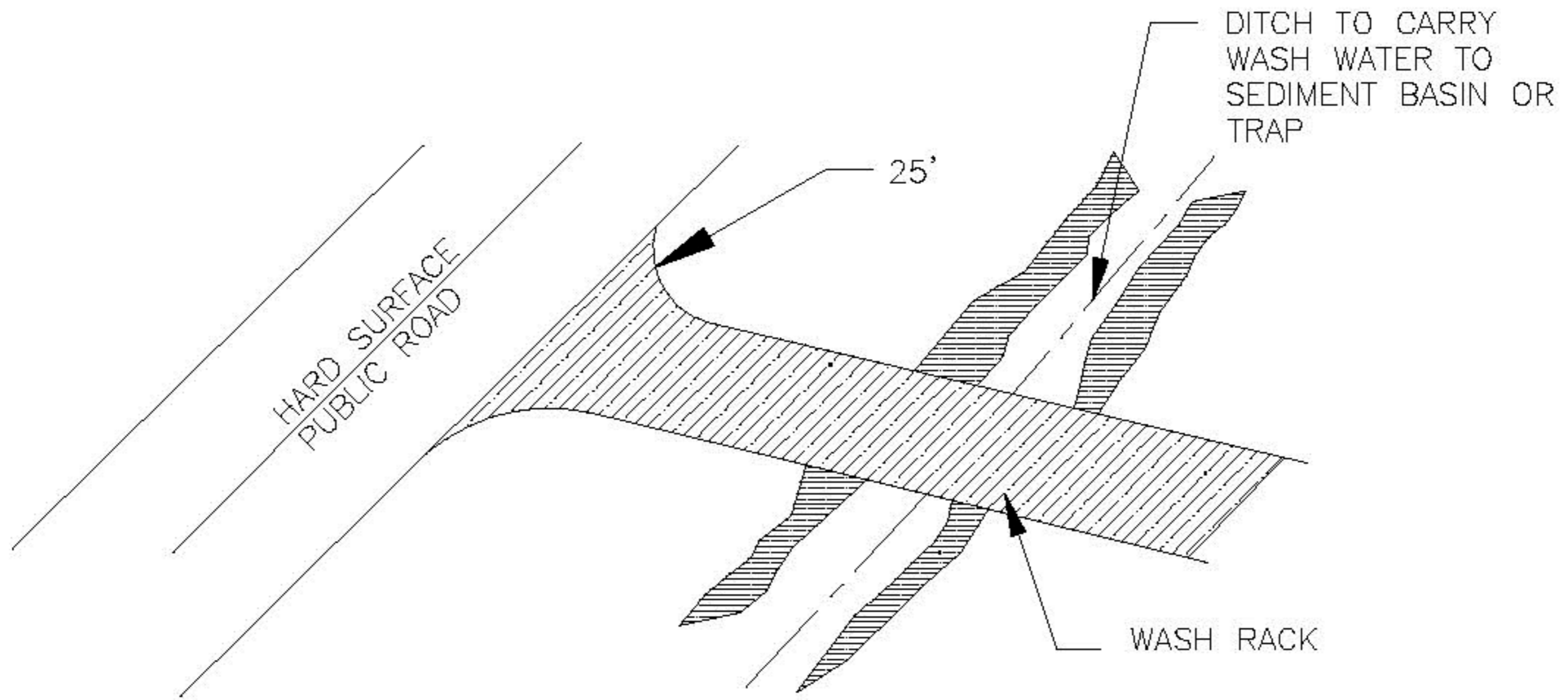


# CITY CONTRACTS

REFERENCE FOR OTHERS



NOT TO SCALE

CONSTRUCTION  
STANDARDS

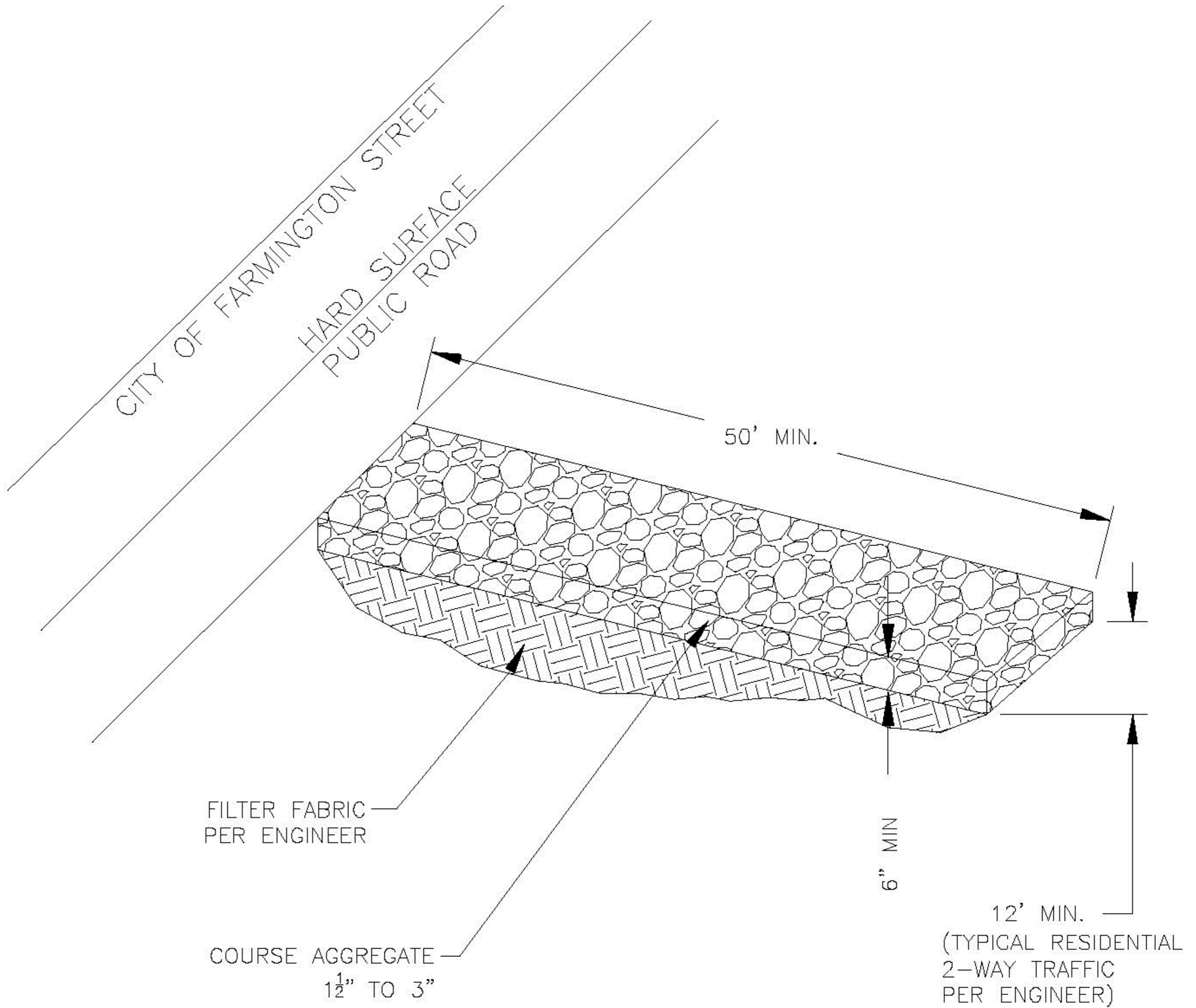
## STATE REQUIREMENTS FOR OFFSITE TRACKING PREVENTION

STANDARD No. D-615 SHEET 1 OF 2

CITY OF  
AZTEC  
PUBLIC WORKS  
DEPARTMENT

# CITY CONTRACTS

REFERENCE FOR OTHERS



NOT TO SCALE

CONSTRUCTION  
STANDARDS

## CITY REQUIREMENTS FOR OFFSITE TRACKING PREVENTION

STANDARD No. D-615 SHEET 2 OF 2

CITY OF  
AZTEC  
PUBLIC WORKS  
DEPARTMENT