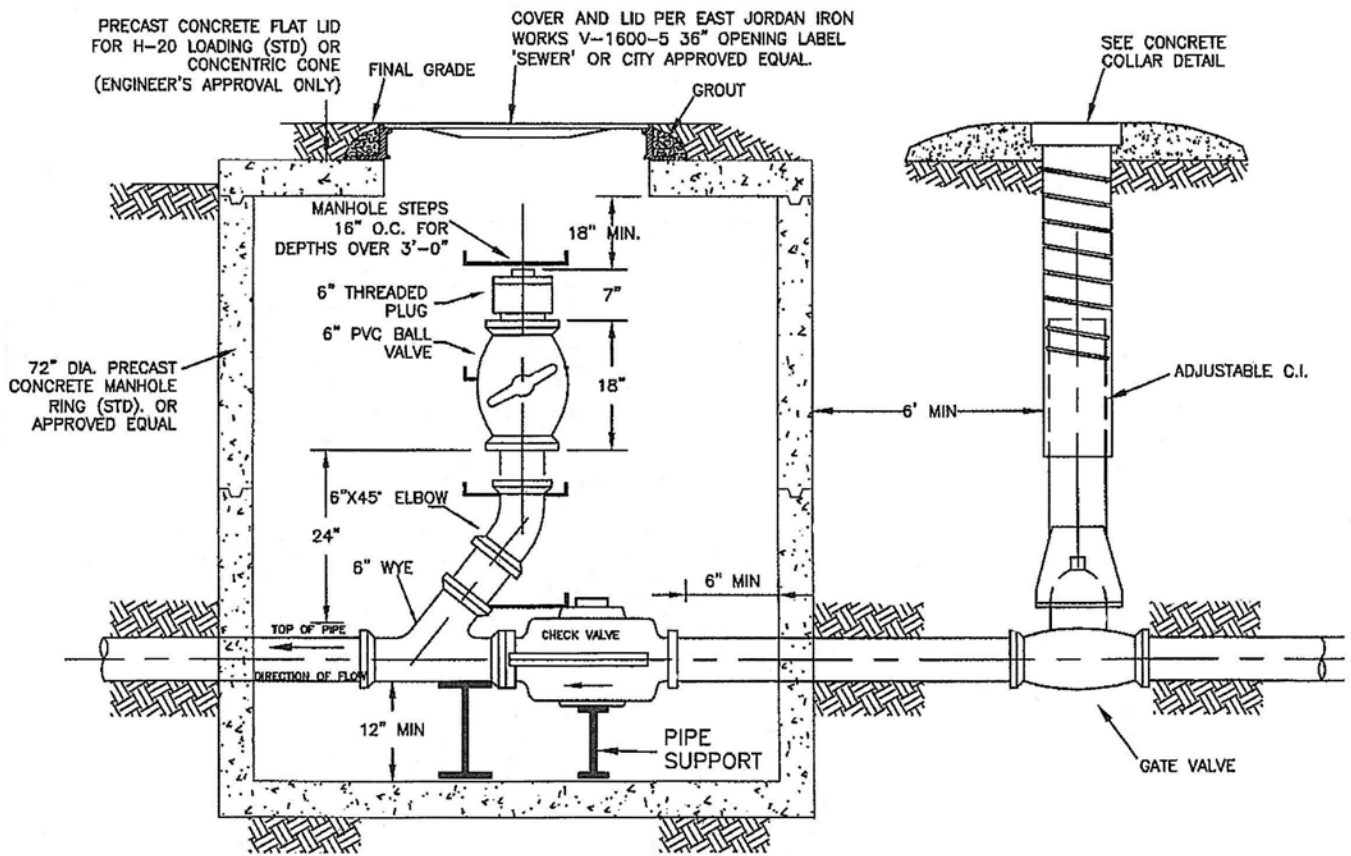
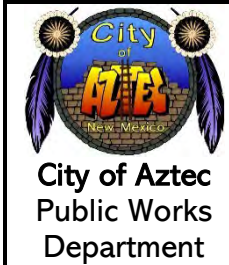


PLAN VIEW



SECTION VIEW



**PRESSURE SANITARY
SEWER CLEANOUT DETAIL**

CONSTRUCTION STANDARDS

STANDARD NO. SS-17

SHEET 1 OF 1

APP'D R. Salcido
DATE Oct. 11, 2023