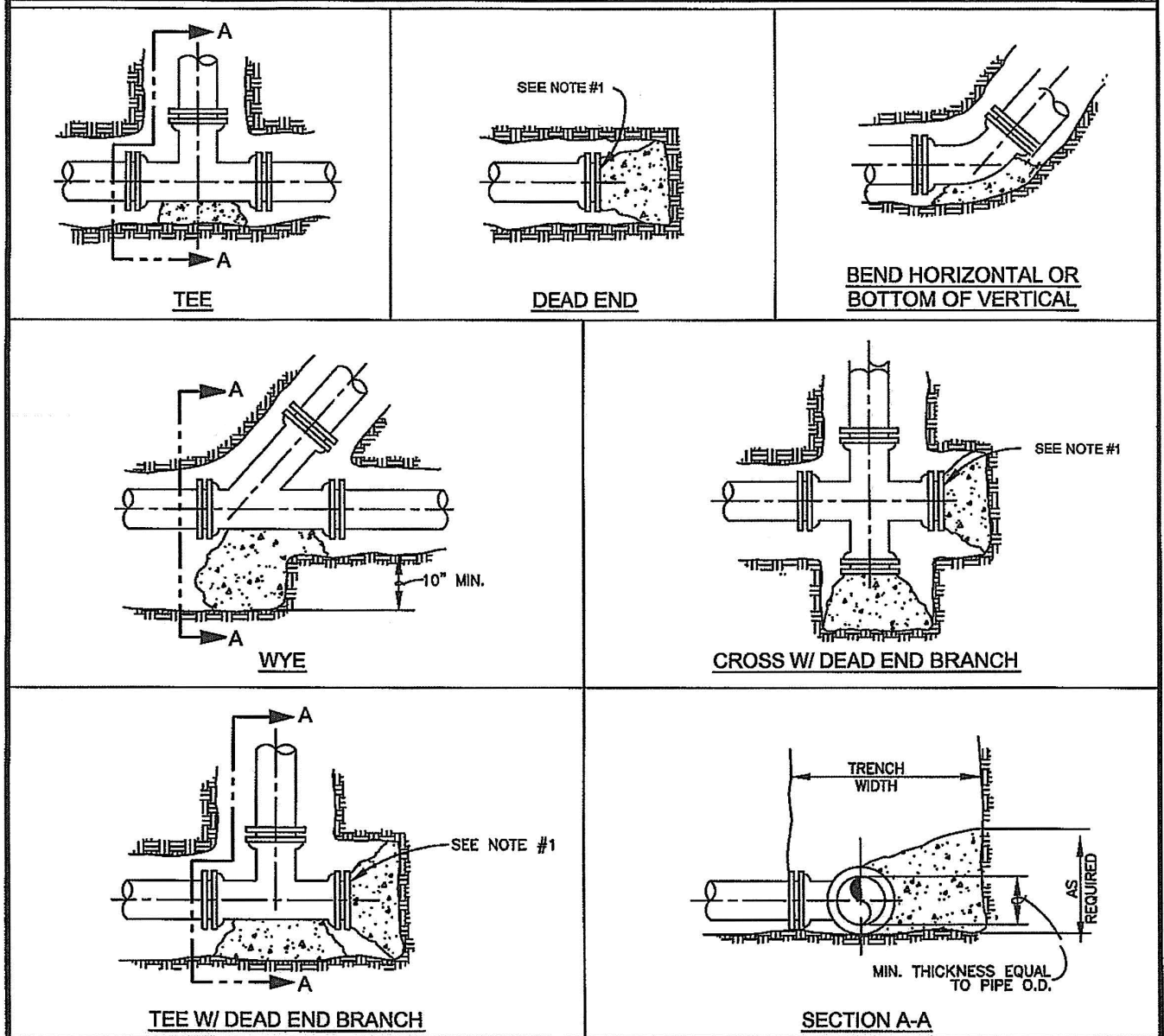


MEG-A-LUGS ARE REQUIRED UNLESS APPROVED BY WATER & WASTEWATER ADMINISTRATOR



NOTES

1. AT DEAD ENDS, WRAP FITTINGS WITH TAR PAPER, FELT, PLASTIC ETC. TO PROVIDE BOND BREAK BETWEEN CONCRETE AND FITTINGS
2. ALL THRUST BLOCKING SHALL BE CAST-IN-PLACE CONCRETE HAVING A MINIMUM YIELD STRENGTH OF 2000 P.S.I.
3. THRUST BLOCKING SHALL BE CAST AGAINST UNDISTURBED EARTH. FORMS SHALL BE USED AS REQUIRED TO OBTAIN ADEQUATE BEARING AREA AND TO CONFINE THE CONCRETE THRUST BLOCKING SHALL BEAR ON THE FITTING OR END CAP ONLY AND SHOULD NOT BE ALLOWED TO SPILL OVER THE JOINT OR AGAINST THE PIPE.



THRUST BLOCKS ONLY WITH APPROVAL

CONSTRUCTION STANDARDS

STANDARD NO. W-8

SHEET 1 OF 2

APP'D R. Salcido

DATE Oct. 11, 2023