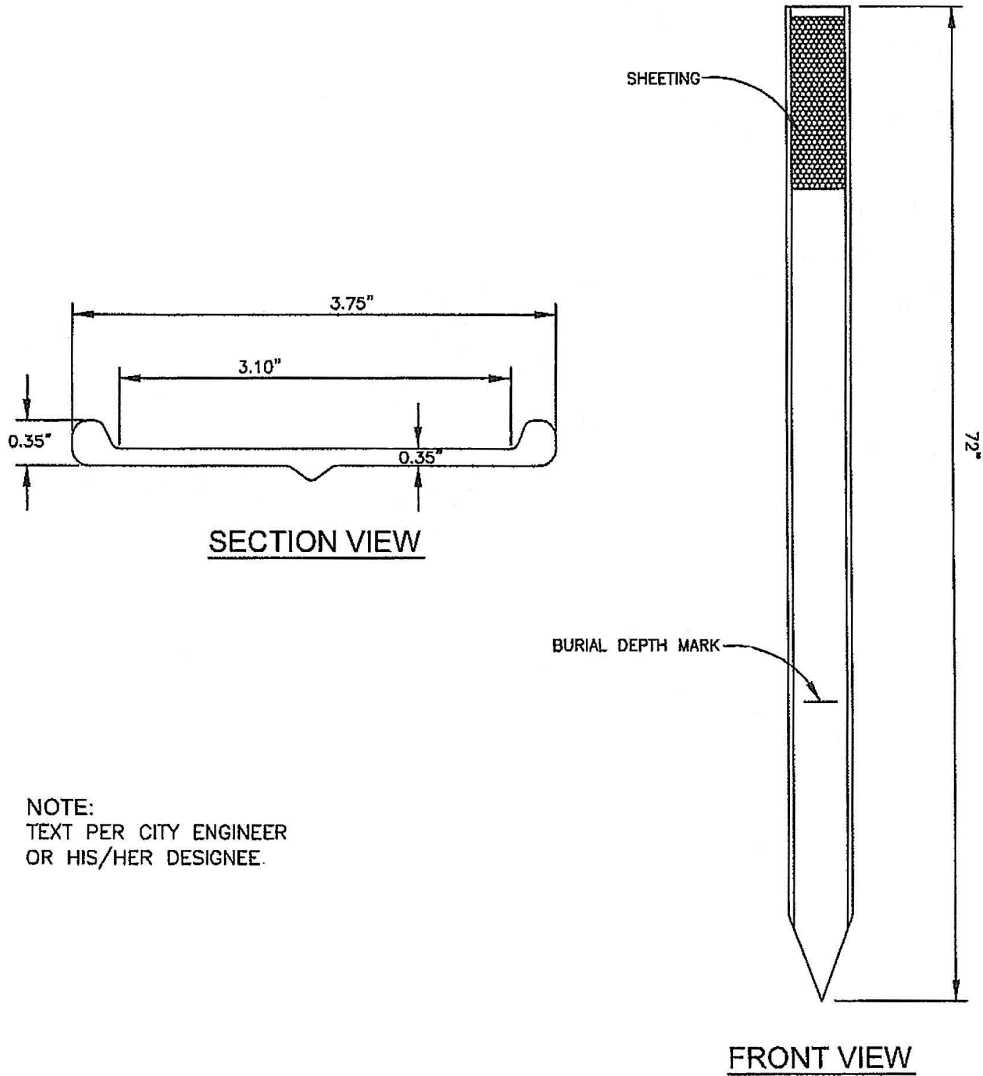
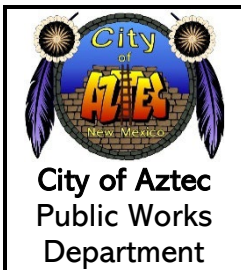


# FIBERGLASS POST DETAIL

CARSONITE CUM-375  
OR APPROVED EQUAL



NOTE:  
TEXT PER CITY ENGINEER  
OR HIS/HER DESIGNEE.



## STATIONARY WATER LINE LOCATION MARKER

## CONSTRUCTION STANDARDS

STANDARD NO. W-9

SHEET 1 OF 1

APP'D R. Salcido  
DATE Oct. 11, 2023