



**INVITATION TO BID
ITB 2025-861**

Hartman Park Field Lighting

BID DUE DATE/TIME/PLACE OF PUBLIC OPENING

January 16, 2025, 3:00 pm MST
Commission Room
City of Aztec
201 W Chaco
Aztec, NM 87410

LAST DAY FOR QUESTIONS

January 09, 2025, 10:00 am MST

For further information contact:

Vanessa Tanner
Procurement Manager
City of Aztec
Phone: 505-334-7652
Fax: 505-334-7649
E-mail: vtanner@aztecnm.gov

Table of Contents

	Page
INVITATION TO BID	4
BID NOTICE	4
ACKNOWLEDGMENT OF RECEIPT FORM	5
PRELIMINARY SCHEDULE	6
BID REQUIREMENTS	6
BASIS OF BID	15
BID FORMS	18
BID SUBMITTAL	18
BIDDER’S REPRESENTATIONS	20
BIDDER’S CERTIFICATION	21
DRUG-FREE WORKPLACE CERTIFICATION	22
CAMPAIGN CONTRUBUTION DISCLOSURE FORM	23
CONTRACTOR SAFETY CERTIFICATION	25
CONTRACTOR’S LIST OF SUBCONTRACTORS	26
SUBCONTRACTOR FAIR PRACTICES ACT COMPLIANCE.....	28
BID BOND	29
STATEMENT OF BIDDERS QUALIFICATIONS.....	31
CONTRACT FORMS	33
GENERAL CONDITIONS.....	33
ARTICLE 1. Definitions and Terminology.....	34
ARTICLE 2. Preliminary Matters.....	39
ARTICLE 3. Contract Documents: Intent, Requirements, Reuse	40
ARTICLE 4. Commencement and Progress of the Work.....	43
ARTICLE 5. Site: Subsurface, Physical, Hazardous Environmental Conditions.....	45
ARTICLE 6. Bonds and Insurance	51
ARTICLE 7. Contractor’s Responsibilities	56
ARTICLE 8. Other Work at the Site	68
ARTICLE 9. Owner’s Responsibilities	70
ARTICLE 10. Engineer’s Status During Construction.....	71
ARTICLE 11. Changes to the Contract	73
ARTICLE 12. Claims	77
ARTICLE 13. Cost of the Work; Allowances; Unit Price Work	78
ARTICLE 14. Tests & Inspections; Correction, Removal, or Acceptance of Defective Work.....	82
ARTICLE 15. Payments to Contractor; Set-Offs; Completion; Correction Period.....	85
ARTICLE 16. Suspension of Work and Termination	91
ARTICLE 17. Final Resolution of Disputes.....	93
ARTICLE 18. Miscellaneous.....	93
NOTICE OF AWARD	95
CONSTRUCTION AGREEMENT	96

PERFORMANCE BOND.....	113
PAYMENT BOND.....	115
CERTIFICATE OF LIABILITY INSURANCE.....	117
NOTICE TO PROCEED.....	118
CHANGE ORDER FORM	119
CERTIFICATE OF SUBSTANTIAL COMPLETION	120
RELEASE AND WAIVER OF LIENS.....	121
SUBCONTRACTOR’S RELEASE AND WAIVER OF LIENS	122
CONTRACTOR'S STATEMENT CONCERNING CLAIMS.....	123
APPENDIX A: DESIGNS AND AIMING DIAGRAM.....	124

INVITATION TO BID

BID NOTICE

ADVERTISEMENT FOR BIDS

ITB 2025-861 Hartman Park Field Lighting City of Aztec, New Mexico

The City of Aztec is requesting bids for Hartman Park Field Lighting. All work shall be performed in accordance with the contract documents and in particular, the design drawings and the technical and administrative specifications for this project. The City reserves the right to select any combination of services bid.

Hartman Park Football Field Lighting project involves installing four lighting poles with concrete anchor bases, rebar cages, electrical conduit, and wiring, as well as transporting and assembling fixtures per design standards, coordinating with city departments for trenching and electric service connections, and ensuring proper compaction and installation of all components.

The Purchasing Office with the City of Aztec, New Mexico will receive bids either in person or uploaded to Vendor Registry until January 16, 2025, 3:00 pm MST, at which time bids will be publicly reviewed and read aloud in the Commission Room, City of Aztec, 201 W Chaco, Aztec NM 87410. Vendor Registry can be accessed at www.vendorregistry.com.

The bids received will be considered by the City of Aztec at a regular meeting of the City Commission or at a special meeting of the City Commission as may be required. No bid will be received or considered if submitted to Vendor Registry after the hour of 3:00 p.m. MST on January 16, 2025

The last day to ask questions about the project or construction documents is January 09, 2025, at 10:00 am. All questions must be submitted in writing to Vanessa Tanner at vtanner@aztecnm.gov or through Vendor Registry.

Plans, Specifications and other Contract Documents, including instructions to Bidders and Bid Forms are available online by accessing the City's purchasing webpage at www.aztecnm.gov/purchasing.html or through Vendor Registry Solicitations link <http://www.aztecnm.gov/purchasing/office.html>, or by contacting Vanessa Tanner at (505) 334-7652, vtanner@aztecnm.gov

ACKNOWLEDGMENT OF RECEIPT FORM

In acknowledgment of receipt of ITB 2025-861 Hartman Park Field Lighting, the undersigned agrees that he/she has received the bid documents copy from the City’s website or Vendor Registry.

The City will provide additional bid documents electronically upon receipt of the completed acknowledgement form.

The acknowledgment of receipt should be signed and returned as directed below. Only potential Bidders/Offerors who elect to return this form will receive copies of all future communications relating to and including amendments to the Bid if issued.

FIRM: _____

REPRESENTED BY: _____ TITLE: _____

PHONE NO.: _____ EMAIL: _____

FAX NO: _____

ADDRESS: _____

CITY _____ STATE _____ ZIP CODE _____

SIGNATURE: _____ DATE: _____

This name and address will be used for all correspondence related to document this Bid Firm [] does or [] does not (check one) intend to respond to ITB 2025-861 Hartman Park Field Lighting

If firm does not intend to reply, please give a brief reason for not responding.

Return to:

Vanessa Tanner, Procurement Manager
City of Aztec
201 W Chaco
Aztec, New Mexico 87410
Telephone Number: 505-334-7652
Fax Number: (505) 334-7649
vtanner@aztecnm.gov

PRELIMINARY SCHEDULE

It is the City's intent to adhere to the following schedule. However, the City reserves the right to modify this schedule.

Issue RFP	12/08/2024
Deadline to Submit Questions and Acknowledgement Form	01/09/2025, 3:00 PM
Response to Written Questions/Amendment	01/13/2025
SUBMISSION OF PROPOSAL	01/16/2025, 3:00 PM
Recommendations to City Commission (Tentatively)	01/28/2025
Contract Award	01/29/2025
Protest Deadline	02/19/2025

BID REQUIREMENTS

1. Instruction to Bidders

The City of Aztec, New Mexico (“OWNER”) is requesting bids for the project as announced in the Invitation to Bid.

2. Examination of Contract Documents and Site

Bidders shall carefully examine the Contract documents and the maintenance sites to obtain first-hand knowledge of existing conditions. Bidders will not be given extra payment for conditions, which can be determined by examining the site and contract documents. It is mutually agreed that the Bidder has made the examinations, investigations and test required herein and has made provisions as to the cost in his bid.

Before submitting his Bid, each Bidder must:

- 1) Examine the Contract Documents thoroughly;
- 2) Visit the site to familiarize himself with local conditions that may in any manner affect performance of the Work;
- 3) Familiarize himself with federal, state, and local laws, ordinances, rules, and regulations affecting performance of the Work; and
- 4) Carefully correlate his observations with the requirements of the Contract Documents.

3. Questions

Submit all questions about the project to the OWNER by the date and time identified in the Invitation to Bid. Corrections or clarifications shall be made by addendum. Oral clarifications will not be binding.

4. Preparation of Bids

- **All bids must be submitted on the designated forms provided in the following sections: Basis of Bid and Bid Forms. It is mandatory that all fields in these sections be fully completed and signed where indicated. Failure to comply with this requirement may result in the bid being deemed non-responsive.**
- The grand total of the Contract must be stated on the Bid Form in both writing and numerals; in case of an error, the price in words, unless obviously incorrect, shall govern.

Alternate proposals will not be considered unless called for.

Bids by corporations must be electronically executed in the corporate name by the president or vice-president (or other corporate officer accompanied by evidence of authority to sign) and the corporate seal shall be affixed and attested by the secretary or an assistant secretary. The corporate address and state of incorporation shall be shown below the signature.

Bids by partnerships must be electronically executed in the partnership name and signed by a partner, his title must appear under his signature and the official address of the partnership must be shown below the signature.

All names must be typed or printed below the electronic signature.

The CONTRACTOR shall be licensed under the proper classification(s) as outlined under the State of New Mexico's Construction Industries Division Rules and Regulations (latest edition). A CONTRACTOR not having the minimum license at the time of Bid opening shall be considered a non-responsive Bidder and their Bid will be rejected.

Each addendum shall be made a part of the Contract Documents to the same extent as though contained in the original documents and itemized listings thereof. The Bid shall contain an acknowledgment of receipt of all Addenda (the numbers of which shall be filled in on the Bid Form).

Pursuant to Section 13-1-108 NMSA 1978, the total amount of the bid shall exclude the applicable state gross receipts tax or applicable local option tax. The OWNER will pay for any taxes due on the Contract and will pay any increase in applicable which become effective after the date the Contract is entered into in addition to the Bid total.

Taxes shall be shown as a separate amount in each billing or request for payment made under contract and shall separately identify each tax being billed.

5. Submission of Bids

Basis of Bid and Bid Forms shall be submitted electronically through Vendor Registry or physical delivery to the City Purchasing Office (Finance Building) or City Hall, both located 201 W. Chaco, Aztec NM 87410. The bid opening will be held at City Hall Commission Room at the time indicated in the invitation to Bid and is open to the public.

The City of Aztec reserves the right to accept or reject any or all Bids.

Bids received after the date and time in the Invitation to Bid will be returned to sender unopened.

6. Resident Contractor Preference

Preference will be given for NM Resident, NM Resident Veteran, and NM Resident Native American contractors. These preferences are not cumulative and do not apply to contracts utilizing federal funds.

All contractors wishing to obtain resident preference are required to submit a current Resident Business/ Contractor Preference Certificate issued by the New Mexico Department of Taxation and Revenue. All preference numbers issued prior to January 1, 2012 are invalid. It is the sole

responsibility of Bidders to obtain certification prior to the bid opening date. For additional information call 505-827-0951 or go to:

<https://www.tax.newmexico.gov/businesses/business-preference-certification/>

7. Bid Security

Bid security in the amount of 5% of the amount of the bid shall accompany the bid proposal and must be in the form of a certified or bank cashier's check made payable to OWNER or a bid bond issued by a surety licensed to conduct business in the State of New Mexico and named in the current list of "Surety Companies Acceptable on the Federal Bonds" as published in the Federal Register by the Audit Staff Bureau of Accounts, U.S. Treasury Department.

The Bid Security of the successful Bidder will be retained until he has executed the Agreement and furnished the required Contract Security, whereupon it will be returned; if he fails to execute and deliver the Agreement and to furnish the required Contract Security within 10 days of receipt of the Notice of Award, OWNER may annul the Notice of Award and the Bid Security of that Bidder will be forfeited.

The Bid Security of any Bidder whom OWNER believes to have reasonable chance of receiving the award may be retained by OWNER until the earlier of the seventh day after the executed Agreement is delivered by OWNER to CONTRACTOR and the required Contract Security is furnished or the sixty-first day after the Bid opening.

Bid Security of other Bidders will be returned within seven days of the Bid opening.

8. Subcontractors And Manufacturers

Pursuant to Sections 13-4-31 through 13-4-43 NMSA 1978), the Bidder shall submit the following information for each Subcontractor who will perform work or labor or render service to the CONTRACTOR in or about the construction Project in an amount in excess of the listing threshold specified in the Invitation to Bid:

- Name of the Subcontractor;
- City and County of the Subcontractor;
- Nature of the work which will be done by the Subcontractor

The listing threshold is \$5,000.

The Bidder may be required to establish the reliability and responsibility of the proposed Subcontractors or of any manufacturer to furnish an perform the work in accordance with the Contract Documents and completion schedule, and may also be required to require performance and payment bonds of some or all Subcontractors in conformance with Sec. 13-4-37 NMSA 1978.

9. Withdrawal of Bids

Any Bid may be withdrawn prior to the scheduled time for the opening of Bids or authorized postponement thereof. Any Bid received after the time and date specified shall not be considered. No Bidder may withdraw a bid after the Bid opening until the time for award stipulated below has expired. Should there be reasons why the Contract cannot be awarded within the specified period, the time may be extended by mutual agreement between the OWNER and the bidder. Material mistakes by the low bidder can be used as a basis of withdraw of bid after bid opening pursuant to §13-1-106, NMSA 1978.

10. Qualifications of Bidders

1. The minimum qualifications for the contractor are as follows:
 - a. Has 5 or more years of experience in construction/renovation of facilities for projects exceeding \$100,000; and
 - b. Has valid New Mexico Contractor license.
2. Minimum qualifications for subcontractors are as follows:
 - a. Has 5 or more years of experience in construction/renovation of the facilities or services field for which they are designated to perform; and
 - b. Has a valid New Mexico contractor license.

To demonstrate qualifications for the Project, each Bidder must submit valid New Mexico Contractor's license and be prepared to submit within five days of OWNER'S written request a written statement of Bidder's Qualifications on the form contained herein or as prescribed by the OWNER. The OWNER reserves the right to reject any Bid if the evidence submitted by, or investigation of, such Bidder fails to satisfy the OWNER that such Bidder is properly qualified to carry out the obligations of the of the Agreement and to complete the work contemplated by it; and such rejection shall not give rise to a cause of action against the OWNER, Architect or Engineer, or impose a requirement upon the OWNER, Architect or Engineer to divulge the information upon which such rejection is based.

11. Award of Contract

All Bids shall remain open for sixty (60) days after the day of the Bid opening; but OWNER may, in his sole discretion, release any Bid and return the Bid Security prior to that date.

OWNER reserves the right to reject any and all Bids and waive any and all informalities and the right to disregard all nonconforming or conditional Bids or counter proposals. The City may not award all projects or only some of the projects depending on bid amounts and the available funding for the projects.

In evaluating Bids, OWNER shall consider the qualifications of the Bidders, whether or not the Bids comply with the prescribed requirements, and alternates and unit prices if requested in the Bid forms. He may consider the qualifications and experience of Subcontractors and other persons and organizations (including those who are to furnish the principal items of material or equipment) proposed for those portions of the Work as to which the identity of Subcontractors and other persons and organizations must be submitted as specified in the Special Conditions. He may conduct such investigations as he deems necessary to establish the responsibility, qualifications, and financial ability of the Bidders, proposed Subcontractors and other persons and organizations to do the Work in accordance with the Contract Documents to OWNER's satisfaction within the prescribed time. OWNER reserves the right to reject the Bid of any Bidder who does not pass any such evaluation to OWNER's satisfaction.

If a contract is to be awarded, it will be awarded to the lowest responsible Bidder whose evaluation by OWNER indicates to OWNER that the award will be in the best interest of the Project.

The acceptance of a Bid will be evidenced by a Notice of Award in writing signed by a duly authorized representative of the OWNER and delivered to the Bidder whose Bid is accepted, in the manner provided for giving written notices (reference paragraph 13.3 of the General Conditions).

If the contract is to be awarded, OWNER will give the apparent successful Bidder a Notice of Award within sixty days after the day of the Bid opening.

12. Performance and Payment Bonds

A performance bond and a labor and material payment bond, each in the amount of 100 percent of the Contract Price, with a corporate surety approved by the OWNER, will be required for the faithful performance of the Contract.

Surety must be licensed to conduct business in the State of New Mexico and named in the current list of "Surety Companies Acceptable on the Federal Bonds" as published in the Federal Register by the Audit Staff Bureau of Accounts, U.S. Treasury Department.

Attorneys-in-fact who sign the payment bond and performance bond must file with each bond a dated, certified and effective copy of their power of attorney.

**13. Insurance Requirements
(Construction or Installation Only)**

Contractor shall carry and maintain insurance in the following amounts:

General Liability - \$1,000,000 CSL (Combined Single Limits)

Auto Liability - \$1,000,000 CSL (Combined Single Limits)

Workers Compensation – Statutory limits pursuant to the NM Workers Compensation Act.

The certificate shall specifically provide that the coverage afforded under the policy or policies will not be cancelled or be materially changed until prior written notice has been given to the City. The Contractor shall furnish a certificate of insurance showing that the City is additionally insured prior to commencing work.

14. Execution of Contract

A City of Aztec Business License is required of any business conducting business within the City (Aztec City Code Sec 11-2-1). A Contract will NOT be executed until the CONTRACTOR is in compliance with Aztec City Code.

The CONTRACTOR will execute and return to the OWNER the Agreement and any required bonds and certificates of insurance within 15 days after receipt of the Notice of Award.

The CONTRACTOR shall not proceed with any construction activities other than ordering materials, supplies and equipment, until the required bonds and certificates of insurance are delivered to the OWNER, and OWNER acknowledges in writing their receipt.

No progress payments shall be made to CONTRACTOR until the required bonds and certificates of insurance are delivered to the OWNER.

15. Pre-Bid Conference

Please note that no pre-bid conference will be held for this project. Offerors are encouraged to review all bidding documents thoroughly and submit any questions in writing as specified in the Invitation to Bid. Attendance at a pre-bid conference is not required as none is scheduled.

16. Contract Time – Liquidated Damages

The number of days for the substantial completion of Work (the Contract Time) and/or final completion is set forth in the Bid Proposal and will be included in the executed Construction Agreement. Any provisions for liquidated damages are set forth in the Contract Documents.

17. Quantities

The quantities set forth in the Bid Form are estimated quantities on which Bids will be compared and which will be the basis for the award of Contract. Payment will be made for the Work actually performed. The OWNER reserves the right to increase or decrease quantities by any reasonable amount to suit the best interest by the OWNER.

18. Collusion-Genuine Bid

The Bidder, by submitting a Bid, certifies that the Bid is genuine and is not sham or collusive, or made in the interest, or in the behalf of any person not named as Bidder, and that the Bidder has not directly or indirectly induced or solicited any other Bidder to put in a sham bid, or any other person, firm or corporation to refrain from bidding, and that the Bidder has not in any manner sought by collusion to secure himself an advantage over any other Bidder.

19. Preferences and Standards for Processes, Materials and Equipment

Unless specified in the Contract Documents, the OWNER has no preference for any process, type of equipment or kinds of material but will consider all processes, types of equipment or kinds of material offered which meet specifications on an equal competitive basis if they are in fact equal to those specified and will accomplish the purpose intended. The OWNER reserves the right to be the sole judge as to whether or not a different process, type of equipment or kind of material offered is in fact the equal to that specified.

20. Project Finance

Any Contract awarded under this invitation for Bid shall be subject to the appropriation of funds by the OWNER's City Commission.

21. Wage Rates

The Bidder's attention is directed to the fact that wages to be paid on this project shall not be less than the prevailing wage rates as listed by the New Mexico State Office of Labor Commissioner and (where applicable) the prevailing Federal Wage Rate Decision listed by the U.S. Department of Labor and in effect at the time of this contract. It shall be the successful Bidder's responsibility to inform himself thoroughly of all state, federal, and local laws and statutes pertaining to the employment of labor, the freedom of organization, and the conditions of employment and shall strictly adhere to such laws and regulations as are applicable. There shall be no discrimination because of race, creed, sex, color, national origin, or legal political affiliation in the employment of persons qualified by training and experience for work under this contract.

22. Federal Assisted Construction Contracts

Notice of Requirement for Certification of Non-Segregated Facilities

Bidders are cautioned as follows: By signing the Contract for which this Bid is solicited, the Bidder will be deemed to have signed and agreed to the provisions of the "Certification to Non-segregated Facilities" as contained in the Specifications for this Project.

Notice to Prospective Federally Assisted Construction Contractors

A certification of Non-segregated Facilities, as required by the May 28, 1968 order (33 F.R. 7808, May 28, 1968; 41 CFR Part 60-1, et seq) on Elimination of Segregated Facilities, by the Secretary of Labor, must be submitted prior to the award of a federally assisted construction contract exceeding Ten Thousand Dollars (\$10,000.00) which is not exempt from the provisions of the Equal Opportunity clause.

CONTRACTORS receiving federally assisted construction contract awards exceeding Ten Thousand Dollars (\$10,000.00) which are not exempt from the provisions of the Equal Opportunity clause will be required to provide for the forwarding of this notice to prospective Subcontractors for supplies and construction contracts where the subcontracts exceed Ten Thousand Dollars (\$10,000.00) and are not exempt from the provisions of the Equal Opportunity clause.

Certification by Bidder regarding Equal Employment Opportunity must be submitted with each Bid.

23. Equal Employment Opportunity

During the performance of this Contract, the CONTRACTOR agrees as follows:

- The CONTRACTOR will not discriminate against any employee or applicant for employment because of race, creed, color, sex or national origin. The CONTRACTOR will take affirmative action to ensure that applicants are employed, and that employees are treated during employment without regard to their race, religion, creed, color, or national origin. Such action shall include, but not be limited to, the following: employment, upgrading, demotion, or transfer; recruitment or recruitment advertising; layoff or termination; rates of pay or other forms of compensation; and selecting for training, including apprenticeship.
- The CONTRACTOR agrees to post in conspicuous places, available to employees and applicants for employment, notices as provided setting forth the provisions of this nondiscrimination clause.
- The CONTRACTOR will, in all solicitations or advertisements for employment placed by or on behalf of the CONTRACTOR, state that all qualified applicants will receive consideration for employment without regard to race, creed, color, sex, or national origin.
- The CONTRACTOR will send to each labor union or representative of workers with which he has collective bargaining agreements or other contracts or understandings, a notice advising the labor union or worker's representative of the CONTRACTORS' commitments under Section 202 of Executive Order No. 11246 of September 24, 1965, and of the rules, regulations, and relevant orders of the Secretary of Labor.
- The CONTRACTOR will comply with all provisions of Executive Order No. 11246 of September 24, 1965, and of the rules, regulations, and relevant orders of the Secretary of Labor.
- The CONTRACTOR will furnish all information and reports required by Executive Order No. 11246 of September 24, 1965, and by the rules, regulations, and orders of the Secretary of Labor, or pursuant thereto, and will permit access to CONTRACTOR's books, records, and accounts by the contracting agency and the Secretary of Labor for purposes of investigation to ascertain compliance with such rules, regulations, and orders.

In the event of the CONTRACTOR's noncompliance with the nondiscrimination clauses of this Contract or with any of such rules, regulations, or orders, this Contract may be canceled, terminated or suspended in whole or in part and the CONTRACTOR may be declared ineligible for further Government contracts in accordance with procedures authorized in Executive Order No. 11246 of September 24, 1965, so that such provisions will be binding upon each Subcontractor or vendor.

The CONTRACTOR will take such action with respect to any subcontract or purchase order as the contracting agency may direct as a means of enforcing such provisions including sanctions for noncompliance: Provided, however, that in the event the CONTRACTOR becomes involved in, or is threatened with, litigation with a Subcontractor or vendor as a result of such direction by the contracting agency, the CONTRACTOR may request the United States to enter into such litigation to protect the interests of the United States.

24. Compliance with Federal Regulations

The CONTRACTOR agrees to comply with any Federal Statutes or Regulations which are applicable to this Project including, but not limited to, the following:

- All labor standards including those relating to the payment of wages, working conditions, anti-kickback prohibitions and equal employment, and in particular:
- The provisions of Title 29 of the Office of the Secretary of Labor of the United States Government, Part 3, entitled "Contractors and Subcontractors on Public Building or Public Work Financed in whole or in part by loans or grants from the United States" (29 CFR Part 3);
- The provisions of 29 CFR Part 5 entitled "Labor Standard Provisions Applicable to Contracts Governing Federally Financed and Assisted Construction" as well as the "Labor Standard Provisions Applicable to Non-construction Contracts Subject to Contract Work Hours and Safety Standards Act."
- Those concerning relocation and related payments to in the Uniform Relocation Assistance and Real Property Acquisition Policies Act of 1970, 42 USC 4601 et seq;
- The National Environmental Policy Act of 1969, as amended (42 USC 4231 et seq);
- The Clean Air Act, as amended (42 USC 1857-1858 a);
- The Federal Water Pollution Control Act, as amended (33 USC 1251-1376);
- The National Historic Preservation Act of 1966, as amended (16 USC 470 et seq);
- The Wild and Scenic Rivers Act (16 USC 1271-1281);
- The Endangered Species Act of 1973, as amended (16 USC 1531 et seq);
- The Historic Sites, Buildings and Antiquities Act, as amended (16 USC 461 et seq);
- The Americans with Disabilities Act of 1990 (P.L.101-336, July 26, 1990), and any regulations adopted pursuant thereto;
- The National Flood Insurance Act of 1968, as amended.
- The National Pollutant Discharge Elimination System Regulations for Storm Water Discharges, 40 CFR Parts 122,123 and 124.

25. Safety and Health Regulations for Construction

In order to protect the lives and health of his employees, the CONTRACTOR shall comply with all pertinent provisions of the Contract Work Hours and Safety Standards Act as amended, commonly known as the Construction Safety Act and also known as the Williams-Steiger Occupational Safety and Health Act of 1970, together with the regulations promulgated in 29 CFR, Parts 1901 through Parts 1919.

26. Warranties

The Bidder shall warrant and guarantee all workmanship performed by the Bidder and materials supplied by the Bidder for a minimum period of one (1) year from purchase date or date of Substantial Completion, unless otherwise specified in the specifications.

27. Bid Opening Procedure

The person or persons opening the bids will adhere to the following procedure:

- Announce the name of the bidder and the number of the bidder's N.M. Contractor's license.
- Check for bid bond or bid security.
- Check for acknowledgment of addendums.
- Check for proper signature on bid form.
- Check other requirements on bid form.
- Read Bid aloud

If any of the above requirements have not been met, the bid shall be read after the deficiency or deficiencies have been accounted and noted.

28. Registration of Contractor's and Subcontractors for Public Works Contracts

In order to submit a bid valued at more than sixty thousand dollars (\$60,000), or to be considered for award of any portion of a public works project greater than sixty thousand dollars (\$60,000) the contractor serving as prime contractor, subcontractor, or any tier thereof, shall be registered and obtain a New Mexico Public Works Registration Number prior to the opening of bids (NMSA 13-4-13.1). Bids that do not meet this requirement will be non-responsive. Registration forms can be located at:

<http://www.dws.state.nm.us/LaborRelations/LaborInformation/PublicWorks>

29. Protest Deadline

Any protest by a Bidder must be timely and in conformance with Section 13-1-172, NMSA, 1978 and applicable procurement regulations. The fifteen (15) day protest period for responsive Bidders shall begin on the day following the City's written notification to all responding Bidders. Protests must be written and must include the name and address of the protestor and the number assigned to this Bid by the City. It also must contain a statement of grounds for protest including appropriate supporting exhibits. The timely protest must be delivered to:

Purchasing Officer
City of Aztec
201 W Chaco
Aztec NM 87410

30. Defined Terms

Terms used in these Instructions to Bidders have the meanings assigned to them in the General Conditions unless otherwise defined in the Special Conditions.

BASIS OF BID

Project Name: ITB 2025-861 Hartman Park Field Lighting

TO: City of Aztec
Attn: Purchasing Department
201 W Chaco, Aztec NM 87410

The undersigned hereby proposes to perform all work for the City of Aztec – ITB 2025-861 Hartman Park Field Lighting.

The Contract Documents include the design documents which consists of the 7 sheet set of construction drawings entitled Hartman Park Cooper Lighting and any Addenda which are incorporated herein and made a part hereof; and to perform said work in accordance with and at the rates and prices (or lump sum bid) shown in the following bid.

Each individual line item in bid table must be bid. The cost of any work added or deducted from the bid table estimated quantities shall be computed at the unit prices bid. The Estimate of Probable Cost shall be completed with the totals from each individual bid table. The Total Base bid consists of the minimum Scope of Work required for this contract. One, two or three of the Alternate Bids will be added to the contract at the sole discretion of the City. Each alternate bid shall stand alone as none, 1, 2 or all 3 alternates may be selected by the City.

The undersigned, as Bidder, hereby declares that the only persons or firms interested in the proposal as principal or principals is or are named herein and that no other persons or firms than herein mentioned have any interest in this proposal or in the contract to be entered into; that this proposal is made without collusion with any other person, company, or parties making a bid or proposal; and that it is in all aspects fair and in good faith without collusion or fraud.

The Undersigned agrees that, upon written notice of acceptance (Notice of Award) of this proposal mailed or otherwise furnished within 60 days after the date of opening proposals, he or she will within 15 days after receipt of said notice, execute and return to the City of Aztec, New Mexico the prescribed construction contract and any required bonds and certificates. The receipt of an electronic transmission (email) of the Notice of Award, by undersigned shall constitute receipt as provided herein.

The bidder agrees the Hartman Park Field Lighting work will be substantially completed within 90 days after Notice To Proceed. Readiness for final payment will be 14 calendar days after final substantial completion.

The bidder agrees liquidated damages will be paid to the Owner for each day beyond **each** completion expiration in the amount of \$500.00 per calendar day for completion of remaining work and readiness for final payment beyond completion expiration date.

The undersigned understands that immediately upon, or up to 10 days following receipt by the OWNER of construction contract signed by the undersigned, the OWNER may issue a Notice to Proceed. The receipt of an electronic transmission (email) of the Notice to Proceed by undersigned shall constitute receipt as required herein.

BASIS OF BID (Cont.)

ITB 2025-861 HARTMAN PARK FIELDS LIGHTING

Item No.	Description	Unit	Quantity	Unit Price	Total Price
1	Drilling anchor base holes (3 feet diameter, 12 feet deep)	Each	4		
2	Installing rebar cages, anchor bolts and electrical conduit	Each	4		
3	Filling holes with concrete (3,000 psi minimum strength at 28 days) *	CY			
4	Transporting poles, arms, and fixtures from the warehouse	Lump Sum	1		
5	Installing and securing poles, arms, and fixtures	Each	4		
6	Installing and aiming fixtures per Cooper Lighting design standards	Lump Sum	1		
7	Laying conduit to each location*	Linear Ft.			
8	Installing wire and connecting J-box to conduit	Lump Sum	1		
Total Bid Price					

*For Items 3 & 7, quantities need to be calculated based on the dimensions provided.

The bidder agrees the work will be substantially completed within _____ calendar days of issuance of the Notice to Proceed Construction.

Estimated lead time for materials/ equipment: _____

Estimated time to project completion after receipt of materials and equipment: _____

Total written amount of bid (excluding tax):

Bidder must sign to validate bid.

BASIS OF BID (Cont.)

Company Name: _____

Signature of Authorized Representative: _____

Printed Name: _____

Title: _____

Telephone Number: _____

E-Mail: _____

(SEAL) If Bid is by a Corporation

Attest: _____

Title: _____

BID FORMS

BID SUBMITTAL

ITB 2025-861 Hartman Park Field Lighting

(Please print)

Company Name: _____

Address: _____

City: _____ State: _____ Zip: _____

Contact Person: _____

Email: _____ Phone: _____

IMPORTANT - Bids Must Be Submitted electronically through Vendor Registry or delivered physically to Purchasing Office (Finance Building). Emailed, or Faxed Bids Will Not Be Accepted. Submitting A "No Bid" Is Not Required To Be Kept On The City's Bidders List.

Bids will be received until January 16, 2024, 3:00 pm MST. Bids may be submitted via physical delivery to the City Purchasing Office or online through Vendor Registry at which time bids will be publicly opened and read aloud in the Commission Room, City of Aztec, 201 W Chaco, Aztec NM 87410. This bid is subject to the Purchase Order Terms and Conditions, Bidding Requirements and Specifications.

If a corporation, state of incorporation: _____

New Mexico Tax Id No: _____

Federal Tax Id No.: _____

New Mexico Contractors License No.: _____

New Mexico Contractors License Classifications: _____

New Mexico Dept. of Workforce Solutions

Public Works Registration No.: _____

City Of Aztec Business License No: _____

Current City of Aztec Business License is not required at time of bid. Successful bidder will be required to obtain City of Aztec Business License prior to execution of contract.

Resident Preference will be applied only to those in-state certified businesses that have completed the following:

Bidder has received certification from the State of New Mexico for Resident Business/Contractor (Resident/ Resident Veteran/ Resident Native American/ Resident Native American Veteran). Bidder has been issued Certification number and is therefore eligible for the preference. (Attach a copy of the certificate to bid. Certificate must be current and will be verified via the NM Tax & Revenue website: [https://www.tax.newmexico.gov/businesses/business-preference-certification.](https://www.tax.newmexico.gov/businesses/business-preference-certification))

Guaranteed pricing is requested; please submit pricing guaranteed for 60 DAYS from the date of notice of award. Notice of award shall occur within 60 days of bid opening date. The City of Aztec reserves the right to accept any bid, in whole or in part, and to reject any or all bids if it is deemed in the best interest of the City to do so. The City of Aztec reserves the right to waive any formality or informality in the process of awarding this bid.

The items as specified herein are not to be taken as restrictive, but rather are to establish a standard for services desired. Any deviation in the attached pages should be specifically set forth in your bid offer. Except as specified as Sole Source, any brand name used is for the purpose of describing the standard of quality, performance and characteristics desired and is not intended to limit or restrict competition. Where there is more than one part to an item, all parts must be bid to receive Board consideration.

The bidder agrees the work will be substantially completed within **90 calendar days** from the Notice to Proceed, as may be modified by change order, and work will be completed and ready for final payment within **104 calendar days** from the date of the Notice to Proceed, as may be modified by change order.

The bidder agrees liquidated damages will be paid to the Owner for each day beyond each completion expiration in the amount of **\$500.00 per calendar day** for completion of remaining work and readiness for final payment beyond completion expiration date.

The Proposal guarantee shall be 5% of the total amount bid. Guarantee included with bid is (mark one):

Bid Bond

Cashier's Check Payable to City of Aztec

Subcontractor's listing threshold **\$5,000**

Bidder must check the appropriate box below:

If applicable, BIDDER ACKNOWLEDGES RECEIPT OF THE FOLLOWING AMENDMENT(S):

Addendum No. _____ Dated _____ Addendum No. _____ Dated _____

Addendum No. _____ Dated _____ Addendum No. _____ Dated _____

BIDDER'S REPRESENTATIONS

- A. Bidder has visited the Site, conducted a thorough, alert visual examination of the Site and adjacent areas, and become familiar with and satisfied itself as to the general, local, and Site conditions that may affect cost, progress, and performance of the Work.
- B. Bidder is familiar with and has satisfied itself as to all Laws and Regulations that may affect cost, progress, and performance of the Work.
- C. Bidder has carefully studied all: (1) reports of explorations and tests of subsurface conditions at or adjacent to the Site and all drawings of physical conditions relating to existing surface or subsurface structures at the Site that have been identified in the Supplementary Conditions, especially with respect to Technical Data in such reports and drawings, and (2) reports and drawings relating to Hazardous Environmental Conditions, if any, at or adjacent to the Site that have been identified in the Supplementary Conditions, especially with respect to Technical Data in such reports and drawings.
- D. Bidder has considered the information known to Bidder itself; information commonly known to contractors doing business in the locality of the Site; information and observations obtained from visits to the Site; the Bidding Documents; and any Site-related reports and drawings identified in the Bidding Documents, with respect to the effect of such information, observations, and documents on (1) the cost, progress, and performance of the Work; (2) the means, methods, techniques, sequences, and procedures of construction to be employed by Bidder; and (3) Bidder's safety precautions and programs.
- E. Bidder agrees, based on the information and observations referred to in the preceding paragraph, that no further examinations, investigations, explorations, tests, studies, or data are necessary for the determination of this Bid for performance of the Work at the price bid and within the times required, and in accordance with the other terms and conditions of the Bidding Documents.
- F. Bidder is aware of the general nature of work to be performed by Owner and others at the Site that relates to the Work as indicated in the Bidding Documents.
- G. Bidder has given Engineer written notice of all conflicts, errors, ambiguities, or discrepancies that Bidder has discovered in the Bidding Documents, and confirms that the written resolution thereof by Engineer is acceptable to Bidder.
- H. The Bidding Documents are generally sufficient to indicate and convey understanding of all terms and conditions for the performance and furnishing of the Work.
- I. The submission of this Bid constitutes an incontrovertible representation by Bidder that Bidder has complied with every requirement of this Article, and that without exception the Bid and all prices in the Bid are premised upon performing and furnishing the Work required by the Bidding Documents.

BIDDER’S CERTIFICATION

- A. This Bid is genuine and not made in the interest of or on behalf of any undisclosed individual or entity and is not submitted in conformity with any collusive agreement or rules of any group, association, organization, or corporation;
- B. Bidder has not directly or indirectly induced or solicited any other Bidder to submit a false or sham Bid;
- C. Bidder has not solicited or induced any individual or entity to refrain from bidding; and
- D. Bidder has not engaged in corrupt, fraudulent, collusive, or coercive practices in competing for the Contract. For the purposes of this Paragraph:
 - 1. "*Corrupt practice*" means the offering, giving, receiving, or soliciting of anything of value likely to influence the action of a public official in the bidding process;
 - 2. "*fraudulent practice*" means an intentional misrepresentation of facts made (a) to influence the bidding process to the detriment of Owner, (b) to establish bid prices at artificial non-competitive levels, or (c) to deprive Owner of the benefits of free and open competition;
 - 3. "*Collusive practice*" means a scheme or arrangement between two or more Bidders, with or without the knowledge of Owner, a purpose of which is to establish bid prices at artificial, non-competitive levels; and
 - 4. "*Coercive practice*" means harming or threatening to harm, directly or indirectly, persons or their property to influence their participation in the bidding process or affect the execution of the Contract.

To be a valid proposal, Bidder must sign here:

Signature: _____

Date: _____

Printed Name: _____

Title: _____

DRUG-FREE WORKPLACE CERTIFICATION

Project Name: ITB 2025-861 Hartman Park Field Lighting

The Contractor named below hereby certifies to be in compliance with 49 CFR parts 40 and 382 by establishing a program designed to help prevent accidents and injuries resulting from the misuse of alcohol or use of controlled substances by drivers of commercial motor vehicles and to provide a workplace free of drug use and alcohol misuse. The below Contractor will:

1. Have in place a policy in compliance with 49 CFR Parts 40 and 382 that provides for pre - employment, post-accident, random, reasonable suspicion, return-to-duty, and follow-up testing for controlled substances and alcohol.
2. 49 CFR Part 382, section 382.603 requires that persons designated to supervise drivers receive at least 60 minutes of training on alcohol misuse and receive an additional 60 minutes of training on controlled substances use.
3. Have in place a drug free and alcohol free workplace policy that applies to everyone that works on the project described in the contract. The drug free and alcohol free workplace policy shall include an education and training program that informs employees about the following:
 - a. The dangers of drug use and alcohol misuse in the workplace;
 - b. The person's or organization's policy in maintaining a workplace free of drug use and alcohol misuse;
 - c. Any available counseling, rehabilitation and employee assistance programs;
 - d. Penalties that may be imposed upon employees for violations; and,
 - e. Provisions for pre-employment and reasonable suspicion testing.
4. All of the contractor's employees who perform work on this project must be provided with a copy of the above referenced policies as those policies apply to them, i.e. not all employees are commercial drivers, but all employees would be subject to the drug-free and alcohol-free workplace policies.
5. That everyone who works on the contract agrees to abide by the terms of the Contractor's Statement as a condition of continued employment on the contract.
6. That no one who has tested positive within the past year will be allowed to perform work on this project.

Certification

I, the official named below, hereby swear that I am duly authorized to legally bind the prospective contractor to the above described certification. I am fully aware that this certification, executed on the date and in the county below, is made under penalty of perjury under the laws of the State of New Mexico

Company Name: _____ Federal ID Number: _____
Official's Name: _____ Official's Signature: _____
Official's Title: _____ Date Executed: _____
Executed in the County of: _____

Campaign Contribution Disclosure Form

Pursuant to NMSA 1978, § 13-1-191.1 (2006), any person seeking to enter into a contract with any state agency or local public body for professional services, a design and build project delivery system, or the design and installation of measures the primary purpose of which is to conserve natural resources must file this form with that state agency or local public body. This form must be filed even if the contract qualifies as a small purchase or a sole source contract. The prospective contractor must disclose whether they, a family member or a representative of the prospective contractor has made a campaign contribution to an applicable public official of the state or a local public body during the two years prior to the date on which the contractor submits a proposal or, in the case of a sole source or small purchase contract, the two years prior to the date the contractor signs the contract, if the aggregate total of contributions given by the prospective contractor, a family member or a representative of the prospective contractor to the public official exceeds two hundred and fifty dollars (\$250) over the two year period.

Furthermore, the state agency or local public body shall void an executed contract or cancel a solicitation or proposed award for a proposed contract if: 1) a prospective contractor, a family member of the prospective contractor, or a representative of the prospective contractor gives a campaign contribution or other thing of value to an applicable public official or the applicable public official's employees during the pendency of the procurement process or 2) a prospective contractor fails to submit a fully completed disclosure statement pursuant to the law.

THIS FORM MUST BE FILED BY ANY PROSPECTIVE CONTRACTOR WHETHER OR NOT THEY, THEIR FAMILY MEMBER, OR THEIR REPRESENTATIVE HAS MADE ANY CONTRIBUTIONS SUBJECT TO DISCLOSURE.

The following definitions apply:

“Applicable public official” means a person elected to an office or a person appointed to complete a term of an elected office, who has the authority to award or influence the award of the contract for which the prospective contractor is submitting a competitive sealed proposal or who has the authority to negotiate a sole source or small purchase contract that may be awarded without submission of a sealed competitive proposal.

“Campaign Contribution” means a gift, subscription, loan, advance or deposit of money or other thing of value, including the estimated value of an in-kind contribution, that is made to or received by an applicable public official or any person authorized to raise, collect or expend contributions on that official's behalf for the purpose of electing the official to either statewide or local office. “Campaign Contribution” includes the payment of a debt incurred in an election campaign, but does not include the value of services provided without compensation or unreimbursed travel or other personal expenses of individuals who volunteer a portion or all of their time on behalf of a candidate or political committee, nor does it include the administrative or solicitation expenses of a political committee that are paid by an organization that sponsors the committee.

“Family member” means spouse, father, mother, child, father-in-law, mother-in-law, daughter-in-law or son-in-law.

“Pendency of the procurement process” means the time period commencing with the public notice of the request for proposals and ending with the award of the contract or the cancellation of the request for proposals.

“Person” means any corporation, partnership, individual, joint venture, association or any other private legal entity.

“Prospective contractor” means a person who is subject to the competitive sealed proposal process set forth in the Procurement Code or is not required to submit a competitive sealed proposal because that person qualifies for a sole source or a small purchase contract.

“Representative of a prospective contractor” means an officer or director of a corporation, a member or manager of a limited liability corporation, a partner of a partnership or a trustee of a trust of the prospective contractor.

DISCLOSURE OF CONTRIBUTIONS MADE TO: Mayor Michael A. Padilla, Mayor-ProTem Kenneth B. George, Commissioner Austin R. Randall, Commissioner Colby L. King, and/or Commissioner Jim Crowley.

Contribution Made By: _____

Relation to Prospective Contractor: _____

Name of Applicable Public Official: _____

Date Contribution(s) Made: _____

Amount(s) of Contribution(s) _____

Nature of Contribution(s) _____

Purpose of Contribution(s) _____

(Attach extra pages if necessary)

Signature

Date

Title (position)

— OR —

NO CONTRIBUTIONS IN THE AGGREGATE TOTAL OVER TWO HUNDRED FIFTY DOLLARS (\$250) WERE MADE to an applicable public official by me, a family member or representative.

Signature

Date

Title (Position)

CONTRACTOR SAFETY CERTIFICATION

Project Name: ITB 2025-861 Hartman Park Field Lighting

The Contractor named below hereby certifies and shall comply with all applicable Federal, State, County laws, rules, regulations, City ordinances, and best safety practice guidelines for the health and safety of contractor and sub-contractor employees when performing work for the City of Aztec. The City of Aztec Compliance Contractor Safety Verification Program shall require contractors and subcontractors to comply with the law, and use all safety precautions to protect their employees, and the public when engaged in construction projects. The personal safety and health of contractor's and subcontractor's employees is of primary importance. The prevention of occupationally induced injuries and illnesses is of such consequence that it shall be given precedence over operating productivity whenever necessary.

Regulatory Standards: All applicable federal, state and local safety, health and environmental regulatory requirements, including but not limited to: OSHA-29 CFR.

Basis: It is the responsibility of the general contractor to ensure contractor, and sub-contractors working within the City of Aztec adhere to all applicable safety, health, and environmental standards while conducting business on the construction site or on City Property. When a general contractor arranges to have employees of another employer (sub-contractors) perform work that involves activities that may put personnel at risk, the general contractor will inform the sub-contractor that the workplace contains specific hazards and that the work to be done shall be allowed only if all workers have the proper training, necessary certification(s), proper equipment, and work conditions to complete the work safely.

General: The contractor will ensure safe work practices are used by contractor and sub-contractor personnel to control risks associated with hazards, by using established procedures for; lock-out-tag-out, confined space entry, welding, trenching, piping, PPE, fall protection, dust control, hearing protection, public safety, and general safety. At the request of the City's Safety Division, the contractor shall provide information regarding the contractor's past safety performance and current safety program.

Responsibility: The contractor shall be responsible for complying with the safety standards applicable to the work they are performing. The contractor agrees that he/she is responsible to enforce compliance with all safety regulations from everyone, including sub-contractors, who work on the contract as a condition of employment on the contract.

Contractor Safety Inspections: Contractor work site safety inspections may be conducted periodically by a City of Aztec Safety Coordinator.

CERTIFICATION

I, the official named below, hereby swear that I am duly authorized to legally bind the prospective contractor to the above described certification. I am fully aware that this certification, executed on the date and in the county below, is made under penalty of perjury under the laws of the State of New Mexico.

Company Name: _____ Federal ID Number: _____

Official's Name: _____ Official's Signature: _____

Official's Title: _____ Date Executed: _____

Executed in the County of: _____

CONTRACTOR’S LIST OF SUBCONTRACTORS

Project Name: ITB 2025-861 Hartman Park Field Lighting

BIDDER must list all Subcontractors whose listing is required pursuant to the New Mexico Subcontractors Fair Practices Act and estimated work exceeds the threshold amount of Five Thousand and no/100 Dollars (\$5,000.00).

Company Name: _____
Address: _____

	City	State	Zip Code
E-mail Address:	_____	License Number:	_____
Phone Number:	_____	Fax Number:	_____
Work to be performed:	_____		
Contract Over \$ 60,000:	Yes	No	
	_____	_____	

Company Name: _____
Address: _____

	City	State	Zip Code
E-mail Address:	_____	License Number:	_____
Phone Number:	_____	Fax Number:	_____
Work to be performed:	_____		
Contract Over \$ 60,000:	Yes	No	
	_____	_____	

Company Name: _____
Address: _____

	City	State	Zip Code
E-mail Address:	_____	License Number:	_____
Phone Number:	_____	Fax Number:	_____
Work to be performed:	_____		
Contract Over \$ 60,000:	Yes	No	
	_____	_____	

----- Additional Sheets Listing Subcontractors May Be Attached If Necessary -----

CONTRACTOR'S LIST OF SUBCONTRACTORS (cont.)

Company Name: _____
 Address: _____

	City	State	Zip Code
--	------	-------	----------

E-mail Address: _____ License Number: _____
 Phone Number: _____ Fax Number: _____
 Work to be performed: _____
 Contract Over \$ 60,000: _____ Yes _____ No _____

Company Name: _____
 Address: _____

	City	State	Zip Code
--	------	-------	----------

E-mail Address: _____ License Number: _____
 Phone Number: _____ Fax Number: _____
 Work to be performed: _____
 Contract Over \$ 60,000: _____ Yes _____ No _____

Company Name: _____
 Address: _____

	City	State	Zip Code
--	------	-------	----------

E-mail Address: _____ License Number: _____
 Phone Number: _____ Fax Number: _____
 Work to be performed: _____
 Contract Over \$ 60,000: _____ Yes _____ No _____

Notice to Bidder

List only one subcontractor for each category of work.
FAILURE TO COMPLY WITH THESE REQUIREMENTS WILL MAKE THE BID NON-RESPONSIVE and the Bid will be rejected.

Contractor

Firm: _____
 By: _____
 Title: _____
 Date: _____

SUBCONTRACTOR FAIR PRACTICES ACT COMPLIANCE

This Public Works Project is subject to the provisions of the Subcontractors Fair Practices Act (Chapter 18, Laws of 1988; Sections 13-4-31 through 13-4-43 NMSA 1978) as it may be amended.

A. The listing threshold is: \$5,000

List of Subcontractors Required

The Bidder shall define the categories of subcontractors in the bid and shall list on the Contractor's List of Subcontractors, no more than one subcontractor for each such category, PROVIDED HOWEVER that such listing shall not include subcontractors whose work does not exceed the threshold dollar amount given in the subparagraph A, above. Such list shall give the name and location of the place of business of each subcontractor under subcontract to the Bidder who will perform work or labor or render service to the Bidder in an amount exceeding the threshold stated in subparagraph A.

All subcontractors whose estimated work exceeds the threshold shall be listed at the time the Bid is submitted to OWNER.

The apparent low Bidder may allow a subcontractor that exceeds the threshold amount to be voluntarily assigned or transferred or to be performed by anyone other than the original subcontractor listed in the original bid only if the OWNER, gives prior written approval.

No Bidder whose Bid is accepted shall sublet or subcontract any portion of the Work in an amount exceeding the threshold amount given in subparagraph A, above, where the original bid did not designate a subcontractor, unless:

- The Bidder received no bid for that category (note: the Bidder must designate on the list of subcontractors required in subparagraph B, above, that "no bid was received"), or
- The work is pursuant to a Change Order that causes changes or deviations from the original Contract.

Delays Attributable to Hearings Required by the Subcontractors Fair Practices Act: In the event a hearing is required pursuant to the provisions of the Subcontractors Fair Practices Act and a delay in the Work is caused as a result of a subcontractor protesting its substitution, the CONTRACTOR shall not be entitled to an increase in the Contract Price or Contract Time.

BID BOND

Know All Men By These Presents:

That we _____ hereinafter called the Principal, as Principal, and the _____ of _____, a corporation duly organized under the laws of the State of _____ hereinafter called Surety, as Surety, are held and firmly bound unto the City of Aztec, hereinafter called the Obligee, in the sum of dollars, for the payment of which sum well and truly to be made, the said Principal and the said Surety, bind ourselves, our heirs, executors, administrators, successors and assigns, jointly and severally, firmly by these presents.

Whereas, the Principal has submitted a bid for:

The work to be performed under this contract shall consist of furnishing all labor, equipment, and materials necessary to complete the Hartman Park Field Lighting.

Now, Therefore, if the Obligee shall accept the bid of the Principal and the Principal shall enter into an Agreement with the Obligee in accordance with the terms of such bid, and give such bond or bonds as may be specified in the bidding or Contract Documents with good and sufficient surety for the faithful performance of such Agreement and for the prompt payment of labor and material furnished in the prosecution thereof or in the event that either the Obligee shall be unable to accept the bid of the Principal as a result of acts or omissions of the principal or the failure of the Principal to enter such Agreement and give such bond or bonds, if the Principal shall pay to the Obligee the difference, not to exceed the amount hereof, between the amount specified in said bid and such larger amount for which the Obligee may in good faith contract with another party to perform the work covered by said bid, then this obligation shall be null and void, otherwise to remain in full force and effect.

Signed and sealed this _____ day of _____, 2024

WITNESS

Principal

By:

Title:

Street Address

Mailing Address

City, State and Zip

Phone Number

SURETY BY:

_____	_____
Title: _____	Street Address _____
_____	_____
Witness: _____	Mailing Address _____
_____	_____
	City, State and Zip _____

	Phone Number _____

CERTIFICATE OF SURETY ON BID BOND

_____, Surety on the Bid Bond dated the ____ day of _____, 2024, wherein is Principal and the City of Aztec as Obligee does hereby rectify that Surety is duly authorized to transact business as a corporate surety in New Mexico, that as Surety it has complied with all applicable laws of the State of New Mexico.

Witness, my hand and seal this _____ day of _____, 2024

Surety

By: _____

Title: _____

THIS BOND MUST BE ACCOMPANIED BY POWER OF ATTORNEY, EFFECTIVELY DATED

STATEMENT OF BIDDERS QUALIFICATIONS

(To be submitted by the Bidder only upon the specific request of the OWNER in writing)

All questions must be answered and the data given must be clear and comprehensive. This statement must be notarized. If necessary, questions may be answered on separate attached sheets. The Bidder may submit any additional information he desires.

Name of Bidder and N.M. CONTRACTOR'S License Number.

Permanent main office address.

When organized?

If a corporation, where incorporated?

How many years have you been engaged in the contracting business under your present firm or trade name?

Contracts on hand. (Schedule these, showing amount of each contract and the approximated anticipated date of completion.)

General Character of work performed by your company.

Have you ever failed to complete any work awarded to you? If so, where and why?

Have you ever defaulted on a contract? If so, where and why?

List the more important projects recently completed by your company, stating the approximate cost for each and the month and year completed.

List your major equipment available for this contract.

Experience in construction work similar in importance to this project.

Background and experience of the principal members of your organization including the officers.

Give bank reference:

Will you, upon request, fill out a detailed financial statement and furnish any other information that may be required by the OWNER?

The undersigned hereby authorizes any person, firm, or corporation to furnish any information requested by the OWNER in verification of this Statement of Bidder's Qualifications

Dated at _____ this _____ day of _____, 2024

Name of Bidder: _____

By: _____

Title: _____

State of _____)

County of _____)

_____ being duly sworn deposes and says that he/she is _____ of _____ and that the answers to the foregoing questions and all statements therein contained are true and correct.

Subscribed and sworn to before me this _____ day of _____, 2024

(Notary Public)

My Commission expires: _____

CONTRACT FORMS

STANDARD GENERAL CONDITIONS of the CONTRACT for CONSTRUCTION

- Article 1. Definitions and Terminology
- Article 2. Preliminary Matters
- Article 3. Contract Documents: Intent, Requirements, Reuse
- Article 4. Commencement and Progress of Work
- Article 5. Site: Subsurface and Physical Conditions; Hazardous Environmental Conditions
- Article 6. Bonds and Insurance
- Article 7. Contractor's Responsibilities
- Article 8. Other Work at Site
- Article 9. Owner's Responsibilities
- Article 10. Engineer's Status During Construction
- Article 11. Changes to the Contract
- Article 12. Claims
- Article 13. Cost of the Work; Allowances; Unit Price Work
- Article 14. Tests and Inspections; Correction, Removal, or Acceptance of Defective Work
- Article 15. Payments to Contractor; Set-Offs; Completion, Correction Period
- Article 16. Suspension of Work and Termination
- Article 17. Final Resolution of Disputes
- Article 18. Miscellaneous

ARTICLE 1. Definitions and Terminology

Wherever used in the Bidding Requirements or Contract Documents, a term printed with initial capital letters, including the term's singular and plural forms, will have the meaning indicated in the definitions below. In addition to terms specifically defined, terms with initial capital letters in the Contract Documents include references to identified articles and paragraphs, and the titles of other documents or forms.

1.01. Defined Terms

Addenda - Written or graphic instruments issued prior to the opening of Bids which clarify, correct, or change the Bidding Requirements or the proposed Contract Documents.

Agreement - The written instrument, executed by Owner and Contractor, that sets forth the Contract Price and Contract Times, identifies the parties and the Engineer, and designates the specific items that are Contract Documents.

Application for Payment - The document prepared by Contractor, in a form acceptable to Engineer, to request progress or final payments, and which is to be accompanied by such supporting documentation as is required by the Contract Documents.

Bid - The offer of a Bidder submitted on the prescribed form setting forth the prices for the Work to be performed.

Bidder - An individual or entity that submits a Bid to Owner.

Bidding Documents - The Bidding Requirements, the proposed Contract Documents, and all Addenda.

Bidding Requirements - The Advertisement or invitation to bid, Instructions to Bidders, Bid Bond or other Bid security, if any, the Bid Form, and the Bid with any attachments.

Change Order - A document which is signed by Contractor and Owner and authorizes an addition, deletion, or revision in the Work or an adjustment in the Contract Price or the Contract Times, or other revision to the Contract, issued on or after the Effective Date of the Contract.

Change Proposal - A written request by Contractor, duly submitted in compliance with the procedural requirements set forth herein, seeking an adjustment in Contract Price or Contract Times; contesting an initial decision by Engineer concerning the requirements of the Contract Documents or the acceptability of Work under the Contract Documents; challenging a set-off against payments due; or seeking other relief with respect to the terms of the Contract.

Claim

- a. A demand or assertion by Owner directly to Contractor, duly submitted in compliance with the procedural requirements set forth herein, seeking an adjustment of Contract Price or Contract Times; contesting an initial decision by Engineer concerning the requirements of the Contract Documents or the acceptability of Work under the Contract Documents; contesting Engineer's decision regarding a Change Proposal; seeking resolution of a contractual issue that Engineer has declined to address; or seeking other relief with respect to the terms of the Contract.
- b. A demand or assertion by Contractor directly to Owner, duly submitted in compliance with the procedural requirements set forth herein, contesting Engineer's decision regarding a Change Proposal, or seeking resolution of a contractual issue that Engineer has declined to address.

- c. A demand or assertion by Owner or Contractor, duly submitted in compliance with the procedural requirements set forth herein, made pursuant to Paragraph 12.01.A.4, concerning disputes arising after Engineer has issued a recommendation of final payment.
- d. A demand for money or services by a third party is not a Claim.

Constituent of Concern - Asbestos, petroleum, radioactive materials, polychlorinated biphenyls (PCBs), lead-based paint (as defined by the HUD/EPA standard), hazardous waste, and any substance, product, waste, or other material of any nature whatsoever that is or becomes listed, regulated, or addressed pursuant to Laws and Regulations regulating, relating to, or imposing liability or standards of conduct concerning, any hazardous, toxic, or dangerous waste, substance, or material.

Contract - The entire and integrated written contract between Owner and Contractor concerning the Work.

Contract Documents - Those items so designated in the Agreement, and which together comprise the Contract.

Contract Price - The money that Owner has agreed to pay Contractor for completion of the Work in accordance with the Contract Documents.

Contract Times - The number of days or the dates by which Contractor shall: (a) achieve Milestones, if any; (b) achieve Substantial Completion; and (c) complete the Work.

Contractor - The individual or entity with which Owner has contracted for performance of the Work.

Cost of the Work - See Article 13 – Cost of the Work; Allowances; Unit Price Work.

Drawings - The part of the Contract that graphically shows the scope, extent, and character of the Work to be performed by Contractor.

Effective Date of the Contract - The date, indicated in the Agreement, on which the Contract becomes effective.

Electronic Document - Any Project-related correspondence, attachments to correspondence, data, documents, drawings, information, or graphics, including but not limited to Shop Drawings and other submittals that are in an electronic or digital format.

Electronic Means - Electronic mail (email), upload/download from a secure Project website, or other communications methods that allow: (a) the transmission or communication of Electronic Documents; (b) the documentation of transmissions, including sending and receipt; (c) printing of the transmitted Electronic Document by the recipient; (d) the storage and archiving of the Electronic Document by sender and recipient; and (e) the use by recipient of the Electronic Document for purposes permitted by this Contract. Electronic Means does not include the use of text messaging, or of Facebook, Twitter, Instagram, or similar social media services for transmission of Electronic Documents.

Engineer - The individual or entity named as such in the Agreement.

Field Order - A written order issued by Engineer which requires minor changes in the Work but does not change the Contract Price or the Contract Times.

Hazardous Environmental Condition - The presence at the Site of Constituents of Concern in such quantities or circumstances that may present a danger to persons or property exposed thereto:

- a. The presence at the Site of materials that are necessary for the execution of the Work, or that are to be incorporated into the Work, and that are controlled and contained pursuant to industry practices, Laws and Regulations, and the requirements of the Contract, is not a Hazardous Environmental Condition.

- b. The presence of Constituents of Concern that are to be removed or remediated as part of the Work is not a Hazardous Environmental Condition.
- c. The presence of Constituents of Concern as part of the routine, anticipated, and obvious working conditions at the Site, is not a Hazardous Environmental Condition.

Laws and Regulations; Laws or Regulations - Any and all applicable laws, statutes, rules, regulations, ordinances, codes, and binding decrees, resolutions, and orders of any and all governmental bodies, agencies, authorities, and courts having jurisdiction.

Liens - Charges, security interests, or encumbrances upon Contract-related funds, real property, or personal property.

Milestone - A principal event in the performance of the Work that the Contract requires Contractor to achieve by an intermediate completion date, or by a time prior to Substantial Completion of all the Work.

Notice of Award - The written notice by Owner to a Bidder of Owner's acceptance of the Bid.

Notice to Proceed - A written notice by Owner to Contractor fixing the date on which the Contract Times will commence to run and on which Contractor shall start to perform the Work.

Owner - The individual or entity with which Contractor has contracted regarding the Work, and which has agreed to pay Contractor for the performance of the Work, pursuant to the terms of the Contract.

Progress Schedule - A schedule, prepared and maintained by Contractor, describing the sequence and duration of the activities comprising Contractor's plan to accomplish the Work within the Contract Times.

Project - The total undertaking to be accomplished for Owner by engineers, contractors, and others, including planning, study, design, construction, testing, commissioning, and start-up, and of which the Work to be performed under the Contract Documents is a part.

Resident Project Representative - The authorized representative of Engineer assigned to assist Engineer at the Site. As used herein, the term Resident Project Representative (RPR) includes any assistants or field staff of Resident Project Representative.

Samples - Physical examples of materials, equipment, or workmanship that are representative of some portion of the Work and that establish the standards by which such portion of the Work will be judged.

Schedule of Submittals - A schedule, prepared and maintained by Contractor, of required submittals and the time requirements for Engineer's review of the submittals.

Schedule of Values - A schedule, prepared and maintained by Contractor, allocating portions of the Contract Price to various portions of the Work and used as the basis for reviewing Contractor's Applications for Payment.

Shop Drawings - All drawings, diagrams, illustrations, schedules, and other data or information that are specifically prepared or assembled by or for Contractor and submitted by Contractor to illustrate some portion of the Work. Shop Drawings, whether approved or not, are not Drawings and are not Contract Documents.

Site - Lands or areas indicated in the Contract Documents as being furnished by Owner upon which the Work is to be performed, including rights-of-way and easements, and such other lands or areas furnished by Owner which are designated for the use of Contractor.

Specifications - The part of the Contract that consists of written requirements for materials, equipment, systems, standards, and workmanship as applied to the Work, and certain administrative requirements and procedural matters applicable to the Work.

Subcontractor - An individual or entity having a direct contract with Contractor or with any other Subcontractor for the performance of a part of the Work.

Submittal - A written or graphic document, prepared by or for Contractor, which the Contract Documents require Contractor to submit to Engineer, or that is indicated as a Submittal in the Schedule of Submittals accepted by Engineer. Submittals may include Shop Drawings and Samples; schedules; product data; Owner-delegated designs; sustainable design information; information on special procedures; testing plans; results of tests and evaluations, source quality-control testing and inspections, and field or Site quality-control testing and inspections; warranties and certifications; Suppliers' instructions and reports; records of delivery of spare parts and tools; operations and maintenance data; Project photographic documentation; record documents; and other such documents required by the Contract Documents. Submittals, whether or not approved or accepted by Engineer, are not Contract Documents. Change Proposals, Change Orders, Claims, notices, Applications for Payment, and requests for interpretation or clarification are not Submittals.

Substantial Completion - The time at which the Work (or a specified part thereof) has progressed to the point where, in the opinion of Engineer, the Work (or a specified part thereof) is sufficiently complete, in accordance with the Contract Documents, so that the Work (or a specified part thereof) can be utilized for the purposes for which it is intended. The terms "substantially complete" and "substantially completed" as applied to all or part of the Work refer to Substantial Completion of such Work.

Successful Bidder - The Bidder to which the Owner makes an award of contract.

Supplementary Conditions - The part of the Contract that amends or supplements these General Conditions.

Supplier - A manufacturer, fabricator, supplier, distributor, or vendor having a direct contract with Contractor or with any Subcontractor to furnish materials or equipment to be incorporated in the Work by Contractor or a Subcontractor.

Technical Data

- a. Those items expressly identified as Technical Data in the Supplementary Conditions, with respect to either (1) existing subsurface conditions at or adjacent to the Site, or existing physical conditions at or adjacent to the Site including existing surface or subsurface structures (except Underground Facilities) or (2) Hazardous Environmental Conditions at the Site.
- b. If no such express identifications of Technical Data have been made with respect to conditions at the Site, then Technical Data is defined, with respect to conditions at the Site under Paragraphs 5.03, 5.04, and 5.06, as the data contained in boring logs, recorded measurements of subsurface water levels, assessments of the condition of subsurface facilities, laboratory test results, and other factual, objective information regarding conditions at the Site that are set forth in any geotechnical, environmental, or other Site or facilities conditions report prepared for the Project and made available to Contractor.
- c. Information and data regarding the presence or location of Underground Facilities are not intended to be categorized, identified, or defined as Technical Data, and instead Underground Facilities are shown or indicated on the Drawings.

Underground Facilities - All active or not-in-service underground lines, pipelines, conduits, ducts, encasements, cables, wires, manholes, vaults, tanks, tunnels, or other such facilities or systems at the Site, including but not limited to those facilities or systems that produce, transmit, distribute, or convey telephone or other communications, cable television, fiber optic transmissions, power, electricity, light, heat, gases, oil, crude oil

products, liquid petroleum products, water, steam, waste, wastewater, storm water, other liquids or chemicals, or traffic or other control systems. An abandoned facility or system is not an Underground Facility.

Unit Price Work - Work to be paid for on the basis of unit prices.

Work - The entire construction or the various separately identifiable parts thereof required to be provided under the Contract Documents. Work includes and is the result of performing or providing all labor, services, and documentation necessary to produce such construction; furnishing, installing, and incorporating all materials and equipment into such construction; and may include related services such as testing, start-up, and commissioning, all as required by the Contract Documents.

Work Change Directive - A written directive to Contractor issued on or after the Effective Date of the Contract, signed by Owner and recommended by Engineer, ordering an addition, deletion, or revision in the Work.

1.02. Terminology

The words and terms discussed in Paragraphs A - E are not defined terms that require initial capital letters, but, when used in the Bidding Requirements or Contract Documents, have the indicated meaning.

- A. Intent of Certain Terms or Adjectives: The Contract Documents include the terms “as allowed,” “as approved,” “as ordered,” “as directed” or terms of like effect or import to authorize an exercise of professional judgment by Engineer. In addition, the adjectives “reasonable,” “suitable,” “acceptable,” “proper,” “satisfactory,” or adjectives of like effect or import are used to describe an action or determination of Engineer as to the Work. It is intended that such exercise of professional judgment, action, or determination will be solely to evaluate, in general, the Work for compliance with the information in the Contract Documents and with the design concept of the Project as a functioning whole as shown or indicated in the Contract Documents (unless there is a specific statement indicating otherwise). The use of any such term or adjective is not intended to and shall not be effective to assign to Engineer any duty or authority to supervise or direct the performance of the Work, or any duty or authority to undertake responsibility contrary to the provisions of Article 10 or any other provision of the Contract Documents.
- B. Day: The word “day” means a calendar day of 24 hours measured from midnight to the next midnight.
- C. Defective: The word “defective,” when modifying the word “Work,” refers to Work that is unsatisfactory, faulty, or deficient in that it:
 - 1. Does not conform to the Contract Documents;
 - 2. Does not meet the requirements of any applicable inspection, reference standard, test, or approval referred to in the Contract Documents; or
 - 3. Has been damaged prior to Engineer’s recommendation of final payment (unless responsibility for the protection thereof has been assumed by Owner at Substantial Completion in accordance with Paragraph 15.03 or Paragraph 15.04).
- D. Furnish, Install, Perform, Provide
 - 1. The word “furnish,” when used in connection with services, materials, or equipment, means to supply and deliver said services, materials, or equipment to the Site (or some other specified location) ready for use or installation and in usable or operable condition.
 - 2. The word “install,” when used in connection with services, materials, or equipment, means to put into use or place in final position said services, materials, or equipment complete and ready for intended use.
 - 3. The words “perform” or “provide,” when used in connection with services, materials, or equipment, means to furnish and install said services, materials, or equipment complete and ready for intended use.

4. If the Contract Documents establish an obligation of Contractor with respect to specific services, materials, or equipment, but do not expressly use any of the four words “furnish,” “install,” “perform,” or “provide,” then Contractor shall furnish and install said services, materials, or equipment complete and ready for intended use.
- E. *Contract Price or Contract Times*: References to a change in “Contract Price or Contract Times” or “Contract Times or Contract Price” or similar, indicate that such change applies to (1) Contract Price, (2) Contract Times, or (3) both Contract Price and Contract Times, as warranted, even if the term “or both” is not expressed.

Unless stated otherwise in the Contract Documents, words or phrases that have a well-known technical or construction industry or trade meaning are used in the Contract Documents in accordance with such recognized meaning.

ARTICLE 2. Preliminary Matters

2.01 Delivery of Performance and Payment Bonds; Evidence of Insurance

- A. Performance and Payment Bonds: When Contractor delivers the signed counterparts of the Agreement to Owner, Contractor shall also deliver to Owner the performance bond and payment bond (if the Contract requires Contractor to furnish such bonds).
- B. Evidence of Contractor’s Insurance: When Contractor delivers the signed counterparts of the Agreement to Owner, Contractor shall also deliver to Owner, with copies to each additional insured (as identified in the Contract), the certificates, endorsements, and other evidence of insurance required to be provided by Contractor in accordance with Article 6, except to the extent the Supplementary Conditions expressly establish other dates for delivery of specific insurance policies.
- C. Evidence of Owner’s Insurance: After receipt of the signed counterparts of the Agreement and all required bonds and insurance documentation, Owner shall promptly deliver to Contractor, with copies to each additional insured (as identified in the Contract), the certificates and other evidence of insurance required to be provided by Owner under Article 6.

2.02 Copies of Documents

- A. Owner shall furnish to Contractor four printed copies of the Contract (including one fully signed counterpart of the Agreement), and one copy in electronic portable document format (PDF). Additional printed copies will be furnished upon request at the cost of reproduction.
- B. Owner shall maintain and safeguard at least one original printed record version of the Contract, including Drawings and Specifications signed and sealed by Engineer and other design professionals. Owner shall make such original printed record version of the Contract available to Contractor for review. Owner may delegate the responsibilities under this provision to Engineer.

2.03 Before Starting Construction

- A. Preliminary Schedules: Within 10 days after the Effective Date of the Contract (or as otherwise required by the Contract Documents), Contractor shall submit to Engineer for timely review:
 1. A preliminary Progress Schedule indicating the times (numbers of days or dates) for starting and completing the various stages of the Work, including any Milestones specified in the Contract;
 2. A preliminary Schedule of Submittals; and
 3. A preliminary Schedule of Values for all of the Work which includes quantities and prices of items which when added together equal the Contract Price and subdivides the Work into component parts

in sufficient detail to serve as the basis for progress payments during performance of the Work. Such prices will include an appropriate amount of overhead and profit applicable to each item of Work.

2.04 *Preconstruction Conference; Designation of Authorized Representatives*

- A. Before any Work at the Site is started, a conference attended by Owner, Contractor, Engineer, and others as appropriate will be held to establish a working understanding among the parties as to the Work, and to discuss the schedules referred to in Paragraph 2.03.A, procedures for handling Shop Drawings, Samples, and other Submittals, processing Applications for Payment, electronic or digital transmittals, and maintaining required records.
- B. At this conference Owner and Contractor each shall designate, in writing, a specific individual to act as its authorized representative with respect to the services and responsibilities under the Contract. Such individuals shall have the authority to transmit and receive information, render decisions relative to the Contract, and otherwise act on behalf of each respective party.

2.05 *Acceptance of Schedules*

- A. At least 10 days before submission of the first Application for Payment a conference, attended by Contractor, Engineer, and others as appropriate, will be held to review the schedules submitted in accordance with Paragraph 2.03.A. No progress payment will be made to Contractor until acceptable schedules are submitted to Engineer.
 - 1. The Progress Schedule will be acceptable to Engineer if it provides an orderly progression of the Work to completion within the Contract Times. Such acceptance will not impose on Engineer responsibility for the Progress Schedule, for sequencing, scheduling, or progress of the Work, nor interfere with or relieve Contractor from Contractor's full responsibility therefore.
 - 2. Contractor's Schedule of Submittals will be acceptable to Engineer if it provides a workable arrangement for reviewing and processing the required submittals.
 - 3. Contractor's Schedule of Values will be acceptable to Engineer as to form and substance if it provides a reasonable allocation of the Contract Price to the component parts of the Work.
 - 4. If a schedule is not acceptable, Contractor will have an additional 10 days to revise and resubmit the schedule.

2.06 *Electronic Transmittals*

- A. Except as otherwise stated elsewhere in the Contract, the Owner, Engineer, and Contractor may send, and shall accept, Electronic Documents transmitted by Electronic Means.
- B. If the Contract does not establish protocols for Electronic Means, then Owner, Engineer, and Contractor shall jointly develop such protocols.
- C. Subject to any governing protocols for Electronic Means, when transmitting Electronic Documents by Electronic Means, the transmitting party makes no representations as to long-term compatibility, usability, or readability of the Electronic Documents resulting from the recipient's use of software application packages, operating systems, or computer hardware differing from those used in the drafting or transmittal of the Electronic Documents.

ARTICLE 3. Contract Documents: Intent, Requirements, Reuse

3.01 *Intent*

- A. The Contract Documents are complementary; what is required by one Contract Document is as binding as if required by all.

- B. It is the intent of the Contract Documents to describe a functionally complete Project (or part thereof) to be constructed in accordance with the Contract Documents.
- C. Unless otherwise stated in the Contract Documents, if there is a discrepancy between the electronic versions of the Contract Documents (including any printed copies derived from such electronic versions) and the printed record version, the printed record version will govern.
- D. The Contract supersedes prior negotiations, representations, and agreements, whether written or oral.
- E. Engineer will issue clarifications and interpretations of the Contract Documents as provided herein.
- F. Any provision or part of the Contract Documents held to be void or unenforceable under any Law or Regulation will be deemed stricken, and all remaining provisions will continue to be valid and binding upon Owner and Contractor, which agree that the Contract Documents will be reformed to replace such stricken provision or part thereof with a valid and enforceable provision that comes as close as possible to expressing the intention of the stricken provision.
- G. Nothing in the Contract Documents creates:
 - 1. Any contractual relationship between Owner or Engineer and any Subcontractor, Supplier, or other individual or entity performing or furnishing any of the Work, for the benefit of such Subcontractor, Supplier, or other individual or entity; or
 - 2. Any obligation on the part of Owner or Engineer to pay or to see to the payment of any money due any such Subcontractor, Supplier, or other individual or entity, except as may otherwise be required by Laws and Regulations.

3.02 Reference Standards

A. Standards Specifications, Codes, Laws and Regulations

- 1. Reference in the Contract Documents to standard specifications, manuals, reference standards, or codes of any technical society, organization, or association, or to Laws or Regulations, whether such reference be specific or by implication, means the standard specification, manual, reference standard, code, or Laws or Regulations in effect at the time of opening of Bids (or on the Effective Date of the Contract if there were no Bids), except as may be otherwise specifically stated in the Contract Documents.
- 2. No provision of any such standard specification, manual, reference standard, or code, and no instruction of a Supplier, will be effective to change the duties or responsibilities of Owner, Contractor, or Engineer from those set forth in the part of the Contract Documents prepared by or for Engineer. No such provision or instruction shall be effective to assign to Owner or Engineer any duty or authority to supervise or direct the performance of the Work, or any duty or authority to undertake responsibility inconsistent with the provisions of the part of the Contract Documents prepared by or for Engineer.

3.03 Reporting and Resolving Discrepancies

A. Reporting Discrepancies

- 1. Contractor's Verification of Figures and Field Measurements: Before undertaking each part of the Work, Contractor shall carefully study the Contract Documents, and check and verify pertinent figures and dimensions therein, particularly with respect to applicable field measurements. Contractor shall promptly report in writing to Engineer any conflict, error, ambiguity, or discrepancy that Contractor discovers, or has actual knowledge of, and shall not proceed with any Work affected thereby until the conflict, error, ambiguity, or discrepancy is resolved by a clarification or interpretation by Engineer, or by an amendment or supplement to the Contract issued pursuant to Paragraph 11.01.

2. Contractor's Review of Contract Documents: If, before or during the performance of the Work, Contractor discovers any conflict, error, ambiguity, or discrepancy within the Contract Documents, or between the Contract Documents and (a) any applicable Law or Regulation, (b) actual field conditions, (c) any standard specification, manual, reference standard, or code, or (d) any instruction of any Supplier, then Contractor shall promptly report it to Engineer in writing. Contractor shall not proceed with the Work affected thereby (except in an emergency as required by Paragraph 7.15) until the conflict, error, ambiguity, or discrepancy is resolved, by a clarification or interpretation by Engineer, or by an amendment or supplement to the Contract issued pursuant to Paragraph 11.01.
3. Contractor shall not be liable to Owner or Engineer for failure to report any conflict, error, ambiguity, or discrepancy in the Contract Documents unless Contractor had actual knowledge thereof.

B. Resolving Discrepancies

1. Except as may be otherwise specifically stated in the Contract Documents, the provisions of the part of the Contract Documents prepared by or for Engineer take precedence in resolving any conflict, error, ambiguity, or discrepancy between such provisions of the Contract Documents and:
2. The provisions of any standard specification, manual, reference standard, or code, or the instruction of any Supplier (whether or not specifically incorporated by reference as a Contract Document); or
3. The provisions of any Laws or Regulations applicable to the performance of the Work (unless such an interpretation of the provisions of the Contract Documents would result in violation of such Law or Regulation).

3.04 *Requirements of the Contract Documents*

- A. During the performance of the Work and until final payment, Contractor and Owner shall submit to the Engineer in writing all matters in question concerning the requirements of the Contract Documents (sometimes referred to as requests for information or interpretation - RFIs), or relating to the acceptability of the Work under the Contract Documents, as soon as possible after such matters arise. Engineer will be the initial interpreter of the requirements of the Contract Documents, and judge of the acceptability of the Work.
- B. Engineer will, with reasonable promptness, render a written clarification, interpretation, or decision on the issue submitted, or initiate an amendment or supplement to the Contract Documents. Engineer's written clarification, interpretation, or decision will be final and binding on Contractor, unless it appeals by submitting a Change Proposal, and on Owner, unless it appeals by filing a Claim.
- C. If a submitted matter in question concerns terms and conditions of the Contract Documents that do not involve (1) the performance or acceptability of the Work under the Contract Documents, (2) the design (as set forth in the Drawings, Specifications, or otherwise), or (3) other engineering or technical matters, then Engineer will promptly notify Owner and Contractor in writing that Engineer is unable to provide a decision or interpretation. If Owner and Contractor are unable to agree on resolution of such a matter in question, either party may pursue resolution as provided in Article 12.

3.05 *Reuse of Documents*

- A. Contractor and its Subcontractors and Suppliers shall not:
 1. Have or acquire any title to or ownership rights in any of the Drawings, Specifications, or other documents (or copies of any thereof) prepared by or bearing the seal of Engineer or its consultants, including electronic media versions, or reuse any such Drawings, Specifications, other documents, or copies thereof on extensions of the Project or any other project without written consent of Owner and Engineer and specific written verification or adaptation by Engineer; or

2. Have or acquire any title or ownership rights in any other Contract Documents, reuse any such Contract Documents for any purpose without Owner's express written consent, or violate any copyrights pertaining to such Contract Documents.
- B. The prohibitions of this Paragraph 3.05 will survive final payment, or termination of the Contract. Nothing herein precludes Contractor from retaining copies of the Contract Documents for record purposes.

ARTICLE 4. Commencement and Progress of the Work

4.01 Commencement of Contract Times; Notice to Proceed

- A. The Contract Times will commence to run on the 30th day after the Effective Date of the Contract or, if a Notice to Proceed is given, on the day indicated in the Notice to Proceed. A Notice to Proceed may be given at any time within 30 days after the Effective Date of the Contract. In no event will the Contract Times commence to run later than the 60th day after the day of Bid opening or the 30th day after the Effective Date of the Contract, whichever date is earlier.

4.02 Starting the Work

- A. Contractor shall start to perform the Work on the date when the Contract Times commence to run. No Work may be done at the Site prior to such date.

4.03 Reference Points

- A. Owner shall provide engineering surveys to establish reference points for construction which in Engineer's judgment are necessary to enable Contractor to proceed with the Work. Contractor shall be responsible for laying out the Work, shall protect and preserve the established reference points and property monuments, and shall make no changes or relocations without the prior written approval of Owner. Contractor shall report to Engineer whenever any reference point or property monument is lost or destroyed or requires relocation because of necessary changes in grades or locations, and shall be responsible for the accurate replacement or relocation of such reference points or property monuments by professionally qualified personnel.

4.04 Progress Schedule

- A. Contractor shall adhere to the Progress Schedule established in accordance with Paragraph 2.05 as it may be adjusted from time to time as provided below.
1. Contractor shall submit to Engineer for acceptance (to the extent indicated in Paragraph 2.05) proposed adjustments in the Progress Schedule that will not result in changing the Contract Times.
 2. Proposed adjustments in the Progress Schedule that will change the Contract Times must be submitted in accordance with the requirements of Article 11.
- B. Contractor shall carry on the Work and adhere to the Progress Schedule during all disputes or disagreements with Owner. No Work will be delayed or postponed pending resolution of any disputes or disagreements, or during any appeal process, except as permitted by Paragraph 16.04, or as Owner and Contractor may otherwise agree in writing.

4.05 Delays in Contractor's Progress

- A. If Owner, Engineer, or anyone for whom Owner is responsible, delays, disrupts, or interferes with the performance or progress of the Work, then Contractor shall be entitled to an equitable adjustment in Contract Price or Contract Times.

- B. Contractor shall not be entitled to an adjustment in Contract Price or Contract Times for delay, disruption, or interference caused by or within the control of Contractor. Delay, disruption, and interference attributable to and within the control of a Subcontractor or Supplier shall be deemed to be within the control of Contractor.
- C. If Contractor's performance or progress is delayed, disrupted, or interfered with by unanticipated causes not the fault of and beyond the control of Owner, Contractor, and those for which they are responsible, then Contractor shall be entitled to an equitable adjustment in Contract Times. Such an adjustment will be Contractor's sole and exclusive remedy for the delays, disruption, and interference described in this paragraph. Causes of delay, disruption, or interference that may give rise to an adjustment in Contract Times under this paragraph include but are not limited to the following:
1. Severe and unavoidable natural catastrophes such as fires, floods, epidemics, and earthquakes;
 2. Abnormal weather conditions;
 3. Acts or failures to act of third-party utility owners or other third-party entities (other than those third-party utility owners or other third-party entities performing other work at or adjacent to the Site as arranged by or under contract with Owner, as contemplated in Article 8); and
 4. Acts of war or terrorism.
- D. Contractor's entitlement to an adjustment of Contract Times or Contract Price is limited as follows:
1. Contractor's entitlement to an adjustment of the Contract Times is conditioned on the delay, disruption, or interference adversely affecting an activity on the critical path to completion of the Work, as of the time of the delay, disruption, or interference.
 2. Contractor shall not be entitled to an adjustment in Contract Price for any delay, disruption, or interference if such delay is concurrent with a delay, disruption, or interference caused by or within the control of Contractor. Such a concurrent delay by Contractor shall not preclude an adjustment of Contract Times to which Contractor is otherwise entitled.
 3. Adjustments of Contract Times or Contract Price are subject to the provisions of Article 11.
- E. Each Contractor request or Change Proposal seeking an increase in Contract Times or Contract Price must be supplemented by supporting data that sets forth in detail the following:
1. The circumstances that form the basis for the requested adjustment;
 2. The date upon which each cause of delay, disruption, or interference began to affect the progress of the Work;
 3. The date upon which each cause of delay, disruption, or interference ceased to affect the progress of the Work;
 4. The number of days' increase in Contract Times claimed as a consequence of each such cause of delay, disruption, or interference; and
 5. The impact on Contract Price, in accordance with the provisions of Paragraph 11.07. Contractor shall also furnish such additional supporting documentation as Owner or Engineer may require including, where appropriate, a revised progress schedule indicating all the activities affected by the delay, disruption, or interference, and an explanation of the effect of the delay, disruption, or interference on the critical path to completion of the Work.
- F. Delays, disruption, and interference to the performance or progress of the Work resulting from the existence of a differing subsurface or physical condition, an Underground Facility that was not shown or indicated by the Contract Documents, or not shown or indicated with reasonable accuracy, and those

resulting from Hazardous Environmental Conditions, are governed by Article 5, together with the provisions of Paragraphs 4.05.D and 4.05.E.

- G. Paragraph 8.03 addresses delays, disruption, and interference to the performance or progress of the Work resulting from the performance of certain other work at or adjacent to the Site.

ARTICLE 5. Site: Subsurface, Physical, Hazardous Environmental Conditions

5.01 Availability of Lands

- A. Owner shall furnish the Site. Owner shall notify Contractor in writing of any encumbrances or restrictions not of general application but specifically related to use of the Site with which Contractor must comply in performing the Work.
- B. Upon reasonable written request, Owner shall furnish Contractor with a current statement of record legal title and legal description of the lands upon which permanent improvements are to be made and Owner's interest therein as necessary for giving notice of or filing a mechanic's or construction lien against such lands in accordance with applicable Laws and Regulations.
- C. Contractor shall provide for all additional lands and access thereto that may be required for temporary construction facilities or storage of materials and equipment.

5.02 Use of Site and Other Areas

A. Limitation on Use of Site and Other Areas

1. Contractor shall confine construction equipment, temporary construction facilities, the storage of materials and equipment, and the operations of workers to the Site, adjacent areas that Contractor has arranged to use through construction easements or otherwise, and other adjacent areas permitted by Laws and Regulations, and shall not unreasonably encumber the Site and such other adjacent areas with construction equipment or other materials or equipment. Contractor shall assume full responsibility for (a) damage to the Site; (b) damage to any such other adjacent areas used for Contractor's operations; (c) damage to any other adjacent land or areas, or to improvements, structures, utilities, or similar facilities located at such adjacent lands or areas; and (d) for injuries and losses sustained by the owners or occupants of any such land or areas; provided that such damage or injuries result from the performance of the Work or from other actions or conduct of the Contractor or those for which Contractor is responsible.
2. If a damage or injury claim is made by the owner or occupant of any such land or area because of the performance of the Work, or because of other actions or conduct of the Contractor or those for which Contractor is responsible, Contractor shall (a) take immediate corrective or remedial action as required by Paragraph 7.13, or otherwise; (b) promptly attempt to settle the claim as to all parties through negotiations with such owner or occupant, or otherwise resolve the claim by arbitration or other dispute resolution proceeding, or in a court of competent jurisdiction; and (c) to the fullest extent permitted by Laws and Regulations, indemnify and hold harmless Owner and Engineer, and the officers, directors, members, partners, employees, agents, consultants and subcontractors of each and any of them, from and against any such claim, and against all costs, losses, and damages (including but not limited to all fees and charges of engineers, architects, attorneys, and other professionals and all court or arbitration or other dispute resolution costs) arising out of or relating to any claim or action, legal or equitable, brought by any such owner or occupant against Owner, Engineer, or any other party indemnified hereunder to the extent caused directly or indirectly, in whole or in part by, or based upon, Contractor's performance of the Work, or because of other actions or conduct of the Contractor or those for which Contractor is responsible.

B. Removal of debris during Performance of the Work

During the progress of the Work the Contractor shall keep the Site and other adjacent areas free from accumulations of waste materials, rubbish, and other debris. Removal and disposal of such waste materials, rubbish, and other debris will conform to applicable Laws and Regulations.

C. Cleaning

Prior to Substantial Completion of the Work Contractor shall clean the Site and the Work and make it ready for utilization by Owner. At the completion of the Work Contractor shall remove from the Site and adjacent areas all tools, appliances, construction equipment and machinery, and surplus materials and shall restore to original condition all property not designated for alteration by the Contract Documents.

D. Loading of Structures

Contractor shall not load nor permit any part of any structure to be loaded in any manner that will endanger the structure, nor shall Contractor subject any part of the Work or adjacent structures or land to stresses or pressures that will endanger them.

5.03 Subsurface and Physical Conditions

A. Reports and Drawings

The Supplementary Conditions identify:

1. Those reports of explorations and tests of subsurface conditions at or adjacent to the Site that contain Technical Data;
2. Those drawings of existing physical conditions at or adjacent to the Site, including those drawings depicting existing surface or subsurface structures at or adjacent to the Site (except Underground Facilities), that contain Technical Data; and
3. Technical Data contained in such reports and drawings.

B. Underground Facilities

Underground Facilities are shown or indicated on the Drawings, pursuant to Paragraph 5.05, and not in the drawings referred to in Paragraph 5.03.A. Information and data regarding the presence or location of Underground Facilities are not intended to be categorized, identified, or defined as Technical Data.

C. Reliance by Contractor on Technical Data

Contractor may rely upon the accuracy of the Technical Data expressly identified in the Supplementary Conditions with respect to such reports and drawings, but such reports and drawings are not Contract Documents. If no such express identification has been made, then Contractor may rely upon the accuracy of the *Technical Data* as defined in Paragraph 1.01.A.

D. Limitations of Other Data and Documents

Except for such reliance on Technical Data, Contractor may not rely upon or make any claim against Owner or Engineer, or any of their officers, directors, members, partners, employees, agents, consultants, or subcontractors, with respect to:

1. The completeness of such reports and drawings for Contractor's purposes, including, but not limited to, any aspects of the means, methods, techniques, sequences, and procedures of construction to be employed by Contractor, and safety precautions and programs incident thereto;
2. Other data, interpretations, opinions, and information contained in such reports or shown or indicated in such drawings;
3. The contents of other Site-related documents made available to Contractor, such as record drawings from other projects at or adjacent to the Site, or Owner's archival documents concerning the Site; or
4. Any Contractor interpretation of or conclusion drawn from any Technical Data or any such other data, interpretations, opinions, or information.

5.04 Differing Subsurface or Physical Conditions

- A. Notice by Contractor: If Contractor believes that any subsurface or physical condition that is uncovered or revealed at the Site:
1. Is of such a nature as to establish that any Technical Data on which Contractor is entitled to rely as provided in Paragraph 5.03 is materially inaccurate;
 2. Is of such a nature as to require a change in the Drawings or Specifications;
 3. Differs materially from that shown or indicated in the Contract Documents; or
 4. Is of an unusual nature, and differs materially from conditions ordinarily encountered and generally recognized as inherent in work of the character provided for in the Contract Documents; then Contractor shall, promptly after becoming aware thereof and before further disturbing the subsurface or physical conditions or performing any Work in connection therewith (except in an emergency as required by Paragraph 7.15), notify Owner and Engineer in writing about such condition. Contractor shall not further disturb such condition or perform any Work in connection therewith (except with respect to an emergency) until receipt of a written statement permitting Contractor to do so.
- B. Engineer's Review
After receipt of written notice as required by the preceding paragraph, Engineer will promptly review the subsurface or physical condition in question; determine whether it is necessary for Owner to obtain additional exploration or tests with respect to the condition; conclude whether the condition falls within any one or more of the differing site condition categories in Paragraph 5.04.A; obtain any pertinent cost or schedule information from Contractor; prepare recommendations to Owner regarding the Contractor's resumption of Work in connection with the subsurface or physical condition in question and the need for any change in the Drawings or Specifications; and advise Owner in writing of Engineer's findings, conclusions, and recommendations.
- C. Owner's Statement to Contractor Regarding Site Condition
After receipt of Engineer's written findings, conclusions, and recommendations, Owner shall issue a written statement to Contractor (with a copy to Engineer) regarding the subsurface or physical condition in question, addressing the resumption of Work in connection with such condition, indicating whether any change in the Drawings or Specifications will be made, and adopting or rejecting Engineer's written findings, conclusions, and recommendations, in whole or in part.
- D. Early Resumption of Work
If at any time Engineer determines that Work in connection with the subsurface or physical condition in question may resume prior to completion of Engineer's review or Owner's issuance of its statement to Contractor, because the condition in question has been adequately documented, and analyzed on a preliminary basis, then the Engineer may at its discretion instruct Contractor to resume such Work.
- E. Possible Price and Times Adjustments
1. Contractor shall be entitled to an equitable adjustment in Contract Price or Contract Times, to the extent that the existence of a differing subsurface or physical condition, or any related delay, disruption, or interference, causes an increase or decrease in Contractor's cost of, or time required for, performance of the Work; subject, however, to the following:
 - a. Such condition must fall within any one or more of the categories described in Paragraph 5.04.A;
 - b. With respect to Work that is paid for on a unit price basis, any adjustment in Contract Price will be subject to the provisions of Paragraph 13.03; and,
 - c. Contractor's entitlement to an adjustment of the Contract Times is subject to the provisions of Paragraphs 4.05.D and 4.05.E.

2. Contractor shall not be entitled to any adjustment in the Contract Price or Contract Times with respect to a subsurface or physical condition if:
 - a. Contractor knew of the existence of such condition at the time Contractor made a commitment to Owner with respect to Contract Price and Contract Times by the submission of a Bid or becoming bound under a negotiated contract, or otherwise;
 - b. The existence of such condition reasonably could have been discovered or revealed as a result of any examination, investigation, exploration, test, or study of the Site and contiguous areas expressly required by the Bidding Requirements or Contract Documents to be conducted by or for Contractor prior to Contractor's making such commitment; or
 - c. Contractor failed to give the written notice required by Paragraph 5.04.A.
3. If Owner and Contractor agree regarding Contractor's entitlement to and the amount or extent of any adjustment in the Contract Price or Contract Times, then any such adjustment will be set forth in a Change Order.
4. Contractor may submit a Change Proposal regarding its entitlement to or the amount or extent of any adjustment in the Contract Price or Contract Times, no later than 30 days after Owner's issuance of the Owner's written statement to Contractor regarding the subsurface or physical condition in question.

F. Underground Facilities; Hazardous Environmental Conditions

Paragraph 5.05 governs rights and responsibilities regarding the presence or location of Underground Facilities. Paragraph 5.06 governs rights and responsibilities regarding Hazardous Environmental Conditions. The provisions of Paragraphs 5.03 and 5.04 are not applicable to the presence or location of Underground Facilities, or to Hazardous Environmental Conditions.

5.05 Underground Facilities

A. Contractor's Responsibilities

Unless it is otherwise expressly provided in the Supplementary Conditions, the cost of all of the following are included in the Contract Price, and Contractor shall have full responsibility for:

1. Reviewing and checking all information and data regarding existing Underground Facilities at the Site;
2. Complying with applicable state and local utility damage prevention Laws and Regulations;
3. Verifying the actual location of those Underground Facilities shown or indicated in the Contract Documents as being within the area affected by the Work, by exposing such Underground Facilities during the course of construction;
4. Coordination of the Work with the owners (including Owner) of such Underground Facilities, during construction; and
5. The safety and protection of all existing Underground Facilities at the Site, and repairing any damage thereto resulting from the Work.

B. Notice by Contractor

If Contractor believes that an Underground Facility that is uncovered or revealed at the Site was not shown or indicated on the Drawings, or was not shown or indicated on the Drawings with reasonable accuracy, then Contractor shall, promptly after becoming aware thereof and before further disturbing conditions affected thereby or performing any Work in connection therewith (except in an emergency as required by Paragraph 7.15), notify Owner and Engineer in writing regarding such Underground Facility.

C. Engineer's Review

Engineer will:

1. Promptly review the Underground Facility and conclude whether such Underground Facility was not shown or indicated on the Drawings, or was not shown or indicated with reasonable accuracy;
2. Identify and communicate with the owner of the Underground Facility; prepare recommendations to Owner (and if necessary issue any preliminary instructions to Contractor) regarding the Contractor's resumption of Work in connection with the Underground Facility in question;
3. Obtain any pertinent cost or schedule information from Contractor; determine the extent, if any, to which a change is required in the Drawings or Specifications to reflect and document the consequences of the existence or location of the Underground Facility; and
4. Advise Owner in writing of Engineer's findings, conclusions, and recommendations.
5. During such time, Contractor shall be responsible for the safety and protection of such Underground Facility.

D. Owner's Statement to Contractor Regarding Underground Facility

After receipt of Engineer's written findings, conclusions, and recommendations, Owner shall issue a written statement to Contractor (with a copy to Engineer) regarding the Underground Facility in question addressing the resumption of Work in connection with such Underground Facility, indicating whether any change in the Drawings or Specifications will be made, and adopting or rejecting Engineer's written findings, conclusions, and recommendations in whole or in part.

E. Early Resumption of Work

If at any time Engineer determines that Work in connection with the Underground Facility may resume prior to completion of Engineer's review or Owner's issuance of its statement to Contractor, because the Underground Facility in question and conditions affected by its presence have been adequately documented, and analyzed on a preliminary basis, then the Engineer may at its discretion instruct Contractor to resume such Work.

F. Possible Price and Times Adjustments

1. Contractor shall be entitled to an equitable adjustment in the Contract Price or Contract Times, to the extent that any existing Underground Facility at the Site that was not shown or indicated on the Drawings, or was not shown or indicated with reasonable accuracy, or any related delay, disruption, or interference, causes an increase or decrease in Contractor's cost of, or time required for, performance of the Work; subject, however, to the following:
 - a. With respect to Work that is paid for on a unit price basis, any adjustment in Contract Price will be subject to the provisions of Paragraph 13.03;
 - b. Contractor's entitlement to an adjustment of the Contract Times is subject to the provisions of Paragraphs 4.05.D and 4.05.E; and
 - c. Contractor gave the notice required in Paragraph 5.05.B.
2. If Owner and Contractor agree regarding Contractor's entitlement to and the amount or extent of any adjustment in the Contract Price or Contract Times, then any such adjustment will be set forth in a Change Order.
3. Contractor may submit a Change Proposal regarding its entitlement to or the amount or extent of any adjustment in the Contract Price or Contract Times, no later than 30 days after Owner's issuance of the Owner's written statement to Contractor regarding the Underground Facility in question.
4. The information and data shown or indicated on the Drawings with respect to existing Underground Facilities at the Site is based on information and data (a) furnished by the owners of such Underground Facilities, or by others, (b) obtained from available records, or (c) gathered in an investigation conducted in accordance with the current edition of ASCE 38, Standard Guideline for

the Collection and Depiction of Existing Subsurface Utility Data, by the American Society of Civil Engineers. If such information or data is incorrect or incomplete, Contractor's remedies are limited to those set forth in this Paragraph 5.05.F.

5.06 Hazardous Environmental Conditions at Site

A. Reports and Drawings

The Supplementary Conditions identify:

1. Those reports known to Owner relating to Hazardous Environmental Conditions that have been identified at or adjacent to the Site;
2. Drawings known to Owner relating to Hazardous Environmental Conditions that have been identified at or adjacent to the Site; and
3. Technical Data contained in such reports and drawings.

B. Reliance by Contractor on Technical Data Authorized

Contractor may rely upon the accuracy of the Technical Data expressly identified in the Supplementary Conditions with respect to such reports and drawings, but such reports and drawings are not Contract Documents. If no such express identification has been made, then Contractor may rely on the accuracy of the Technical Data as defined in Paragraph 1.01.A.46.b. Except for such reliance on Technical Data, Contractor may not rely upon or make any claim against Owner or Engineer, or any of their officers, directors, members, partners, employees, agents, consultants, or subcontractors, with respect to:

1. The completeness of such reports and drawings for Contractor's purposes, including, but not limited to, any aspects of the means, methods, techniques, sequences and procedures of construction to be employed by Contractor, and safety precautions and programs incident thereto;
2. Other data, interpretations, opinions, and information contained in such reports or shown or indicated in such drawings; or
3. Any Contractor interpretation of or conclusion drawn from any Technical Data or any such other data, interpretations, opinions or information.

C. Contractor shall not be responsible for removing or remediating any Hazardous Environmental Condition encountered, uncovered, or revealed at the Site unless such removal or remediation is expressly identified in the Contract Documents to be within the scope of the Work.

D. Contractor shall be responsible for controlling, containing, and duly removing all Constituents of Concern brought to the Site by Contractor, Subcontractors, Suppliers, or anyone else for whom Contractor is responsible, and for any associated costs; and for the costs of removing and remediating any Hazardous Environmental Condition created by the presence of any such Constituents of Concern.

E. If Contractor encounters, uncovers, or reveals a Hazardous Environmental Condition whose removal or remediation is not expressly identified in the Contract Documents as being within the scope of the Work, or if Contractor or anyone for whom Contractor is responsible creates a Hazardous Environmental Condition, then Contractor shall immediately: (1) secure or otherwise isolate such condition; (2) stop all Work in connection with such condition and in any area affected thereby (except in an emergency as required by Paragraph 7.15); and (3) notify Owner and Engineer (and promptly thereafter confirm such notice in writing). Owner shall promptly consult with Engineer concerning the necessity for Owner to retain a qualified expert to evaluate such condition or take corrective action, if any. Promptly after consulting with Engineer, Owner shall take such actions as are necessary to permit Owner to timely obtain required permits and provide Contractor the written notice required by Paragraph 5.06.F. If Contractor or anyone for whom Contractor is responsible created the Hazardous Environmental Condition in question, then Owner may remove and remediate the Hazardous Environmental Condition, and impose a set-off against payments to account for the associated costs.

- F. Contractor shall not resume Work in connection with such Hazardous Environmental Condition or in any affected area until after Owner has obtained any required permits related thereto, and delivered written notice to Contractor either (1) specifying that such condition and any affected area is or has been rendered safe for the resumption of Work, or (2) specifying any special conditions under which such Work may be resumed safely.
- G. If Owner and Contractor cannot agree as to entitlement to or on the amount or extent, if any, of any adjustment in Contract Price or Contract Times, as a result of such Work stoppage, such special conditions under which Work is agreed to be resumed by Contractor, or any costs or expenses incurred in response to the Hazardous Environmental Condition, then within 30 days of Owner's written notice regarding the resumption of Work, Contractor may submit a Change Proposal, or Owner may impose a set-off. Entitlement to any such adjustment is subject to the provisions of Paragraphs 4.05.D, 4.05.E, 11.07, and 11.08.
- H. If, after receipt of such written notice, Contractor does not agree to resume such Work based on a reasonable belief it is unsafe, or does not agree to resume such Work under such special conditions, then Owner may order the portion of the Work that is in the area affected by such condition to be deleted from the Work, following the contractual change procedures in Article 11. Owner may have such deleted portion of the Work performed by Owner's own forces or others in accordance with Article 8.
- I. To the fullest extent permitted by Laws and Regulations, Owner shall indemnify and hold harmless Contractor, Subcontractors, and Engineer, and the officers, directors, members, partners, employees, agents, consultants, and subcontractors of each and any of them, from and against all claims, costs, losses, and damages (including but not limited to all fees and charges of engineers, architects, attorneys, and other professionals, and all court, arbitration, or other dispute resolution costs) arising out of or relating to a Hazardous Environmental Condition, provided that such Hazardous Environmental Condition (1) was not shown or indicated in the Drawings, Specifications, or other Contract Documents, identified as Technical Data entitled to limited reliance pursuant to Paragraph 5.06.B, or identified in the Contract Documents to be included within the scope of the Work, and (2) was not created by Contractor or by anyone for whom Contractor is responsible. Nothing in this Paragraph 5.06.I obligates Owner to indemnify any individual or entity from and against the consequences of that individual's or entity's own negligence.
- J. To the fullest extent permitted by Laws and Regulations, Contractor shall indemnify and hold harmless Owner and Engineer, and the officers, directors, members, partners, employees, agents, consultants, and subcontractors of each and any of them, from and against all claims, costs, losses, and damages (including but not limited to all fees and charges of engineers, architects, attorneys, and other professionals and all court or arbitration or other dispute resolution costs) arising out of or relating to the failure to control, contain, or remove a Constituent of Concern brought to the Site by Contractor or by anyone for whom Contractor is responsible, or to a Hazardous Environmental Condition created by Contractor or by anyone for whom Contractor is responsible. Nothing in this Paragraph 5.06.J obligates Contractor to indemnify any individual or entity from and against the consequences of that individual's or entity's own negligence.
- K. The provisions of Paragraphs 5.03, 5.04, and 5.05 do not apply to the presence of Constituents of Concern or to a Hazardous Environmental Condition uncovered or revealed at the Site.

ARTICLE 6. Bonds and Insurance

6.01 Performance, Payment, and Other Bonds

- A. Contractor shall furnish a performance bond and a payment bond, each in an amount at least equal to the Contract Price, as security for the faithful performance and payment of Contractor's obligations under the Contract. These bonds must remain in effect until one year after the date when final payment becomes due or until completion of the correction period specified in Paragraph 15.08, whichever is later, except

as provided otherwise by Laws or Regulations, the terms of a prescribed bond form, the Supplementary Conditions, or other provisions of the Contract.

- B. Contractor shall also furnish such other bonds (if any) as are required by the Supplementary Conditions or other provisions of the Contract.
- C. All bonds must be in the form included in the Bidding Documents or otherwise specified by Owner prior to execution of the Contract, except as provided otherwise by Laws or Regulations, and must be issued and signed by a surety named in “Companies Holding Certificates of Authority as Acceptable Sureties on Federal Bonds and as Acceptable Reinsuring Companies” as published in Department Circular 570 (as amended and supplemented) by the Bureau of the Fiscal Service, U.S. Department of the Treasury. A bond signed by an agent or attorney-in-fact must be accompanied by a certified copy of that individual’s authority to bind the surety. The evidence of authority must show that it is effective on the date the agent or attorney-in-fact signed the accompanying bond.
- D. Contractor shall obtain the required bonds from surety companies that are duly licensed or authorized, in the state or jurisdiction in which the Project is located, to issue bonds in the required amounts.
- E. If the surety on a bond furnished by Contractor is declared bankrupt or becomes insolvent, or the surety ceases to meet the requirements above, then Contractor shall promptly notify Owner and Engineer in writing and shall, within 20 days after the event giving rise to such notification, provide another bond and surety, both of which must comply with the bond and surety requirements above.
- F. If Contractor has failed to obtain a required bond, Owner may exclude the Contractor from the Site and exercise Owner’s termination rights under Article 16.
- G. Upon request to Owner from any Subcontractor, Supplier, or other person or entity claiming to have furnished labor, services, materials, or equipment used in the performance of the Work, Owner shall provide a copy of the payment bond to such person or entity.
- H. Upon request to Contractor from any Subcontractor, Supplier, or other person or entity claiming to have furnished labor, services, materials, or equipment used in the performance of the Work, Contractor shall provide a copy of the payment bond to such person or entity.

6.02 Insurance - General Provisions

- A. Owner and Contractor shall obtain and maintain insurance as required in this article and in the Supplementary Conditions.
- B. All insurance required by the Contract to be purchased and maintained by Owner or Contractor shall be obtained from insurance companies that are duly licensed or authorized in the state or jurisdiction in which the Project is located to issue insurance policies for the required limits and coverages. Unless a different standard is indicated in the Supplementary Conditions, all companies that provide insurance policies required under this Contract shall have an A.M. Best rating of A-VII or better.
- C. Alternative forms of insurance coverage, including but not limited to self-insurance and “Occupational Accident and Excess Employer’s Indemnity Policies,” are not sufficient to meet the insurance requirements of this Contract, unless expressly allowed in the Supplementary Conditions.
- D. Contractor shall deliver to Owner, with copies to each additional insured identified in the Contract, certificates of insurance and endorsements establishing that Contractor has obtained and is maintaining the policies and coverages required by the Contract. Upon request by Owner or any other insured, Contractor shall also furnish other evidence of such required insurance, including but not limited to copies of policies, documentation of applicable self-insured retentions (if allowed) and deductibles, full disclosure of all relevant exclusions, and evidence of insurance required to be purchased and maintained

by Subcontractors or Suppliers. In any documentation furnished under this provision, Contractor, Subcontractors, and Suppliers may block out (redact) (1) any confidential premium or pricing information and (2) any wording specific to a project or jurisdiction other than those applicable to this Contract.

- E. Owner shall deliver to Contractor, with copies to each additional insured identified in the Contract, certificates of insurance and endorsements establishing that Owner has obtained and is maintaining the policies and coverages required of Owner by the Contract (if any). Upon request by Contractor or any other insured, Owner shall also provide other evidence of such required insurance (if any), including but not limited to copies of policies, documentation of applicable self-insured retentions (if allowed) and deductibles, and full disclosure of all relevant exclusions. In any documentation furnished under this provision, Owner may block out (redact) (1) any confidential premium or pricing information and (2) any wording specific to a project or jurisdiction other than those relevant to this Contract.
- F. Failure of Owner or Contractor to demand such certificates or other evidence of the other party's full compliance with these insurance requirements, or failure of Owner or Contractor to identify a deficiency in compliance from the evidence provided, will not be construed as a waiver of the other party's obligation to obtain and maintain such insurance.
- G. In addition to the liability insurance required to be provided by Contractor, the Owner, at Owner's option, may purchase and maintain Owner's own liability insurance. Owner's liability policies, if any, operate separately and independently from policies required to be provided by Contractor, and Contractor cannot rely upon Owner's liability policies for any of Contractor's obligations to the Owner, Engineer, or third parties.
- H. Contractor shall require:
 - 1. Subcontractors to purchase and maintain worker's compensation, commercial general liability, and other insurance that is appropriate for their participation in the Project, and to name as additional insureds Owner and Engineer (and any other individuals or entities identified in the Supplementary Conditions as additional insureds on Contractor's liability policies) on each Subcontractor's commercial general liability insurance policy; and
 - 2. Suppliers to purchase and maintain insurance that is appropriate for their participation in the Project.
- I. If either party does not purchase or maintain the insurance required of such party by the Contract, such party shall notify the other party in writing of such failure to purchase prior to the start of the Work, or of such failure to maintain prior to any change in the required coverage.
- J. If Contractor has failed to obtain and maintain required insurance, Contractor's entitlement to enter or remain at the Site will end immediately, and Owner may impose an appropriate set-off against payment for any associated costs (including but not limited to the cost of purchasing necessary insurance coverage), and exercise Owner's termination rights under Article 16.
- K. Without prejudice to any other right or remedy, if a party has failed to obtain required insurance, the other party may elect (but is in no way obligated) to obtain equivalent insurance to protect such other party's interests at the expense of the party who was required to provide such coverage, and the Contract Price will be adjusted accordingly.
- L. Owner does not represent that insurance coverage and limits established in this Contract necessarily will be adequate to protect Contractor or Contractor's interests. Contractor is responsible for determining whether such coverage and limits are adequate to protect its interests, and for obtaining and maintaining any additional insurance that Contractor deems necessary.

- M. The insurance and insurance limits required herein will not be deemed as a limitation on Contractor's liability, or that of its Subcontractors or Suppliers, under the indemnities granted to Owner and other individuals and entities in the Contract or otherwise.
- N. All the policies of insurance required to be purchased and maintained under this Contract will contain a provision or endorsement that the coverage afforded will not be canceled, or renewal refused, until at least 10 days prior written notice has been given to the purchasing policyholder. Within three days of receipt of any such written notice, the purchasing policyholder shall provide a copy of the notice to each other insured and Engineer.

6.03 Contractor's Insurance

- A. Required Insurance: Contractor shall purchase and maintain Worker's Compensation, Commercial General Liability, and other insurance pursuant to the specific requirements of the Supplementary Conditions.
- B. General Provisions: The policies of insurance required by this Paragraph 6.03 as supplemented must:
 - 1. Include at least the specific coverages required;
 - 2. Be written for not less than the limits provided, or those required by Laws or Regulations, whichever is greater;
 - 3. Remain in effect at least until the Work is complete (as set forth in Paragraph 15.06.D), and longer if expressly required elsewhere in this Contract, and at all times thereafter when Contractor may be correcting, removing, or replacing defective Work as a warranty or correction obligation, or otherwise, or returning to the Site to conduct other tasks arising from the Contract;
 - 4. Apply with respect to the performance of the Work, whether such performance is by Contractor, any Subcontractor or Supplier, or by anyone directly or indirectly employed by any of them to perform any of the Work, or by anyone for whose acts any of them may be liable; and
 - 5. Include all necessary endorsements to support the stated requirements.
- C. Additional Insureds: The Contractor's commercial general liability, automobile liability, employer's liability, umbrella or excess, pollution liability, and unmanned aerial vehicle liability policies, if required by this Contract, must:
 - 1. Include and list as additional insureds Owner and Engineer, and any individuals or entities identified as additional insureds in the Supplementary Conditions;
 - 2. Include coverage for the respective officers, directors, members, partners, employees, and consultants of all such additional insureds;
 - 3. Afford primary coverage to these additional insureds for all claims covered thereby (including as applicable those arising from both ongoing and completed operations);
 - 4. Not seek contribution from insurance maintained by the additional insured; and
 - 5. As to commercial general liability insurance, apply to additional insureds with respect to liability caused in whole or in part by Contractor's acts or omissions, or the acts and omissions of those working on Contractor's behalf, in the performance of Contractor's operations.

6.04 Builder's Risk and Other Property Insurance

- A. Builder's Risk
Unless otherwise provided in the Supplementary Conditions, Contractor shall purchase and maintain builder's risk insurance upon the Work on a completed value basis, in the amount of the Work's full insurable replacement cost (subject to such deductible amounts as may be provided in the Supplementary

Conditions or required by Laws and Regulations). The specific requirements applicable to the builder's risk insurance are set forth in the Supplementary Conditions.

B. Property Insurance for Facilities of Owner Where Work Will Occur

Owner is responsible for obtaining and maintaining property insurance covering each existing structure, building, or facility in which any part of the Work will occur, or to which any part of the Work will attach or be adjoined. Such property insurance will be written on a special perils (all-risk) form, on a replacement cost basis, providing coverage consistent with that required for the builder's risk insurance, and will be maintained until the Work is complete, as set forth in Paragraph 15.06.D.

C. Property Insurance for Substantially Complete Facilities

Promptly after Substantial Completion, and before actual occupancy or use of the substantially completed Work, Owner will obtain property insurance for such substantially completed Work, and maintain such property insurance at least until the Work is complete, as set forth in Paragraph 15.06.D. Such property insurance will be written on a special perils (all-risk) form, on a replacement cost basis, and provide coverage consistent with that required for the builder's risk insurance. The builder's risk insurance may terminate upon written confirmation of Owner's procurement of such property insurance.

D. Partial Occupancy or Use by Owner

If Owner will occupy or use a portion or portions of the Work prior to Substantial Completion of all the Work, as provided in Paragraph 15.04, then Owner (directly, if it is the purchaser of the builder's risk policy, or through Contractor) will provide advance notice of such occupancy or use to the builder's risk insurer, and obtain an endorsement consenting to the continuation of coverage prior to commencing such partial occupancy or use.

E. Insurance of Other Property; Additional Insurance

If the express insurance provisions of the Contract do not require or address the insurance of a property item or interest, then the entity or individual owning such property item will be responsible for insuring it. If Contractor elects to obtain other special insurance to be included in or supplement the builder's risk or property insurance policies provided under this Paragraph 6.04, it may do so at Contractor's expense.

6.05 *Property Losses; Subrogation*

A. The builder's risk insurance policy purchased and maintained in accordance with Paragraph 6.04 (or an installation floater policy if authorized by the Supplementary Conditions), will contain provisions to the effect that in the event of payment of any loss or damage the insurer will have no rights of recovery against any insureds thereunder, or against Engineer or its consultants, or their officers, directors, members, partners, employees, agents, consultants, or subcontractors.

1. Owner and Contractor waive all rights against each other and the respective officers, directors, members, partners, employees, agents, consultants, and subcontractors of each and any of them, for all losses and damages caused by, arising out of, or resulting from any of the perils, risks, or causes of loss covered by such policies and any other property insurance applicable to the Work; and, in addition, waive all such rights against Engineer, its consultants, all individuals or entities identified in the Supplementary Conditions as builder's risk or installation floater insureds, and the officers, directors, members, partners, employees, agents, consultants, and subcontractors of each and any of them, under such policies for losses and damages so caused.

2. None of the above waivers extends to the rights that any party making such waiver may have to the proceeds of insurance held by Owner or Contractor as trustee or fiduciary, or otherwise payable under any policy so issued.

B. Any property insurance policy maintained by Owner covering any loss, damage, or consequential loss to Owner's existing structures, buildings, or facilities in which any part of the Work will occur, or to which any part of the Work will attach or adjoin; to adjacent structures, buildings, or facilities of Owner; or to part or all of the completed or substantially completed Work, during partial occupancy or use pursuant to

Paragraph 15.04, after Substantial Completion pursuant to Paragraph 15.03, or after final payment pursuant to Paragraph 15.06, will contain provisions to the effect that in the event of payment of any loss or damage the insurer will have no rights of recovery against any insureds thereunder, or against Contractor, Subcontractors, or Engineer, or the officers, directors, members, partners, employees, agents, consultants, or subcontractors of each and any of them, and that the insured is allowed to waive the insurer's rights of subrogation in a written contract executed prior to the loss, damage, or consequential loss.

1. Owner waives all rights against Contractor, Subcontractors, and Engineer, and the officers, directors, members, partners, employees, agents, consultants and subcontractors of each and any of them, for all losses and damages caused by, arising out of, or resulting from fire or any of the perils, risks, or causes of loss covered by such policies.
- C. The waivers in this Paragraph 6.05 include the waiver of rights due to business interruption, loss of use, or other consequential loss extending beyond direct physical loss or damage to Owner's property or the Work caused by, arising out of, or resulting from fire or other insured peril, risk, or cause of loss.
- D. Contractor shall be responsible for assuring that each Subcontract contains provisions whereby the Subcontractor waives all rights against Owner, Contractor, all individuals or entities identified in the Supplementary Conditions as insureds, the Engineer and its consultants, and the officers, directors, members, partners, employees, agents, consultants, and subcontractors of each and any of them, for all losses and damages caused by, arising out of, relating to, or resulting from fire or other peril, risk, or cause of loss covered by builder's risk insurance, installation floater, and any other property insurance applicable to the Work.

6.06 *Receipt and Application of Property Insurance Proceeds*

- A. Any insured loss under the builder's risk and other policies of property insurance required by Paragraph 6.04 will be adjusted and settled with the named insured that purchased the policy. Such named insured shall act as fiduciary for the other insureds, and give notice to such other insureds that adjustment and settlement of a claim is in progress. Any other insured may state its position regarding a claim for insured loss in writing within 15 days after notice of such claim.
- B. Proceeds for such insured losses may be made payable by the insurer either jointly to multiple insureds, or to the named insured that purchased the policy in its own right and as fiduciary for other insureds, subject to the requirements of any applicable mortgage clause. A named insured receiving insurance proceeds under the builder's risk and other policies of insurance required by Paragraph 6.04 shall maintain such proceeds in a segregated account, and distribute such proceeds in accordance with such agreement as the parties in interest may reach, or as otherwise required under the dispute resolution provisions of this Contract or applicable Laws and Regulations.
- C. If no other special agreement is reached, Contractor shall repair or replace the damaged Work, using allocated insurance proceeds.

ARTICLE 7. Contractor's Responsibilities

7.01 *Contractor's Means and Methods of Construction*

- A. Contractor shall be solely responsible for the means, methods, techniques, sequences, and procedures of construction.
- B. If the Contract Documents note, or Contractor determines, that professional engineering or other design services are needed to carry out Contractor's responsibilities for construction means, methods, techniques, sequences, and procedures, or for Site safety, then Contractor shall cause such services to be provided by a properly licensed design professional, at Contractor's expense. Such services are not Owner-delegated professional design services under this Contract, and neither Owner nor Engineer has

any responsibility with respect to (1) Contractor's determination of the need for such services, (2) the qualifications or licensing of the design professionals retained or employed by Contractor, (3) the performance of such services, or (4) any errors, omissions, or defects in such services.

7.02 *Supervision and Superintendence*

- A. Contractor shall supervise, inspect, and direct the Work competently and efficiently, devoting such attention thereto and applying such skills and expertise as may be necessary to perform the Work in accordance with the Contract Documents.
- B. At all times during the progress of the Work, Contractor shall assign a competent resident superintendent who will not be replaced without written notice to Owner and Engineer except under extraordinary circumstances.

7.03 *Labor; Working Hours*

- A. Contractor shall provide competent, suitably qualified personnel to survey and lay out the Work and perform construction as required by the Contract Documents. Contractor shall maintain good discipline and order at the Site.
- B. Contractor shall be fully responsible to Owner and Engineer for all acts and omissions of Contractor's employees; of Suppliers and Subcontractors, and their employees; and of any other individuals or entities performing or furnishing any of the Work, just as Contractor is responsible for Contractor's own acts and omissions.
- C. Except as otherwise required for the safety or protection of persons or the Work or property at the Site or adjacent thereto, and except as otherwise stated in the Contract Documents, all Work at the Site will be performed during regular working hours, Monday through Friday. Contractor will not perform Work on a Saturday, Sunday, or any legal holiday. Contractor may perform Work outside regular working hours or on Saturdays, Sundays, or legal holidays only with Owner's written consent, which will not be unreasonably withheld.

7.04 *Services, Materials, and Equipment*

- A. Unless otherwise specified in the Contract Documents, Contractor shall provide and assume full responsibility for all services, materials, equipment, labor, transportation, construction equipment and machinery, tools, appliances, fuel, power, light, heat, telephone, water, sanitary facilities, temporary facilities, and all other facilities and incidentals necessary for the performance, testing, start up, and completion of the Work, whether or not such items are specifically called for in the Contract Documents.
- B. All materials and equipment incorporated into the Work must be new and of good quality, except as otherwise provided in the Contract Documents. All special warranties and guarantees required by the Specifications will expressly run to the benefit of Owner. If required by Engineer, Contractor shall furnish satisfactory evidence (including reports of required tests) as to the source, kind, and quality of materials and equipment.
- C. All materials and equipment must be stored, applied, installed, connected, erected, protected, used, cleaned, and conditioned in accordance with instructions of the applicable Supplier, except as otherwise may be provided in the Contract Documents.

7.05 *"Or Equals"*

- A. Contractor's Request; Governing Criteria
Whenever an item of equipment or material is specified or described in the Contract Documents by using the names of one or more proprietary items or specific Suppliers, the Contract Price has been based upon Contractor furnishing such item as specified. The specification or description of such an item is intended

to establish the type, function, appearance, and quality required. Unless the specification or description contains or is followed by words reading that no like, equivalent, or “or equal” item is permitted, Contractor may request that Engineer authorize the use of other items of equipment or material, or items from other proposed Suppliers, under the circumstances described below.

1. If Engineer in its sole discretion determines that an item of equipment or material proposed by Contractor is functionally equal to that named and sufficiently similar so that no change in related Work will be required, Engineer will deem it an “or equal” item. For the purposes of this paragraph, a proposed item of equipment or material will be considered functionally equal to an item so named if:
 - a. In the exercise of reasonable judgment Engineer determines that the proposed item:
 - 1) Is at least equal in materials of construction, quality, durability, appearance, strength, and design characteristics;
 - 2) Will reliably perform at least equally well the function and achieve the results imposed by the design concept of the completed Project as a functioning whole;
 - 3) Has a proven record of performance and availability of responsive service; and
 - 4) Is not objectionable to Owner.
 - b. Contractor certifies that, if the proposed item is approved and incorporated into the Work:
 - 1) There will be no increase in cost to the Owner or increase in Contract Times; and
 - 2) The item will conform substantially to the detailed requirements of the item named in the Contract Documents.
- B. Contractor’s Expense
Contractor shall provide all data in support of any proposed “or equal” item at Contractor’s expense.
- C. Engineer’s Evaluation and Determination
Engineer will be allowed a reasonable time to evaluate each “or-equal” request. Engineer may require Contractor to furnish additional data about the proposed “or-equal” item. Engineer will be the sole judge of acceptability. No “or-equal” item will be ordered, furnished, installed, or utilized until Engineer’s review is complete and Engineer determines that the proposed item is an “or-equal,” which will be evidenced by an approved Shop Drawing or other written communication. Engineer will advise Contractor in writing of any negative determination.
- D. Effect of Engineer’s Determination
Neither approval nor denial of an “or-equal” request will result in any change in Contract Price. The Engineer’s denial of an “or-equal” request will be final and binding, and may not be reversed through an appeal under any provision of the Contract.
- E. Treatment as a Substitution Request
If Engineer determines that an item of equipment or material proposed by Contractor does not qualify as an “or-equal” item, Contractor may request that Engineer consider the item a proposed substitute pursuant to Paragraph 7.06.

7.06 Substitutes

- A. Contractor’s Request; Governing Criteria: Unless the specification or description of an item of equipment or material required to be furnished under the Contract Documents contains or is followed by words reading that no substitution is permitted, Contractor may request that Engineer authorize the use of other items of equipment or material under the circumstances described below. To the extent possible such requests must be made before commencement of related construction at the Site.

1. Contractor shall submit sufficient information as provided below to allow Engineer to determine if the item of material or equipment proposed is functionally equivalent to that named and an acceptable substitute therefor. Engineer will not accept requests for review of proposed substitute items of equipment or material from anyone other than Contractor.
2. The requirements for review by Engineer will be as set forth in Paragraph 7.06.B, as supplemented by the Specifications, and as Engineer may decide is appropriate under the circumstances.
3. Contractor shall make written application to Engineer for review of a proposed substitute item of equipment or material that Contractor seeks to furnish or use. The application:
 - a. Will certify that the proposed substitute item will:
 - 1) Perform adequately the functions and achieve the results called for by the general design;
 - 2) Be similar in substance to the item specified; and
 - 3) Be suited to the same use as the item specified.
 - b. Will state:
 - 1) The extent, if any, to which the use of the proposed substitute item will necessitate a change in Contract Times;
 - 2) Whether use of the proposed substitute item in the Work will require a change in any of the Contract Documents (or in the provisions of any other direct contract with Owner for other work on the Project) to adapt the design to the proposed substitute item; and
 - 3) Whether incorporation or use of the proposed substitute item in connection with the Work is subject to payment of any license fee or royalty.
 - c. Will identify:
 - 1) All variations of the proposed substitute item from the item specified; and
 - 2) Available engineering, sales, maintenance, repair, and replacement services.
 - d. Will contain an itemized estimate of all costs or credits that will result directly or indirectly from use of such substitute item, including but not limited to changes in Contract Price, shared savings, costs of redesign, and claims of other contractors affected by any resulting change.

B. Engineer's Evaluation and Determination

Engineer will be allowed a reasonable time to evaluate each substitute request, and to obtain comments and direction from Owner. Engineer may require Contractor to furnish additional data about the proposed substitute item. Engineer will be the sole judge of acceptability. No substitute will be ordered, furnished, installed, or utilized until Engineer's review is complete and Engineer determines that the proposed item is an acceptable substitute. Engineer's determination will be evidenced by a Field Order or a proposed Change Order accounting for the substitution itself and all related impacts, including changes in Contract Price or Contract Times. Engineer will advise Contractor in writing of any negative determination.

C. Special Guarantee

Owner may require Contractor to furnish at Contractor's expense a special performance guarantee or other surety with respect to any substitute.

D. Reimbursement of Engineer's Cost

Engineer will record Engineer's costs in evaluating a substitute proposed or submitted by Contractor. Whether or not Engineer approves a substitute so proposed or submitted by Contractor, Contractor shall reimburse Owner for the reasonable charges of Engineer for evaluating each such proposed substitute. Contractor shall also reimburse Owner for the reasonable charges of Engineer for making changes in the Contract Documents (or in the provisions of any other direct contract with Owner) resulting from the acceptance of each proposed substitute.

E. Contractor's Expense

Contractor shall provide all data in support of any proposed substitute at Contractor's expense.

F. Effect of Engineer's Determination

If Engineer approves the substitution request, Contractor shall execute the proposed Change Order and proceed with the substitution. The Engineer's denial of a substitution request will be final and binding, and may not be reversed through an appeal under any provision of the Contract. Contractor may challenge the scope of reimbursement costs imposed under Paragraph 7.06.D, by timely submittal of a Change Proposal.

7.07 Concerning Subcontractors and Suppliers

- A. Contractor may retain Subcontractors and Suppliers for the performance of parts of the Work. Such Subcontractors and Suppliers must be acceptable to Owner. The Contractor's retention of a Subcontractor or Supplier for the performance of parts of the Work will not relieve Contractor's obligation to Owner to perform and complete the Work in accordance with the Contract Documents.
- B. Contractor shall retain specific Subcontractors and Suppliers for the performance of designated parts of the Work if required by the Contract to do so.
- C. Subsequent to the submittal of Contractor's Bid or final negotiation of the terms of the Contract, Owner may not require Contractor to retain any Subcontractor or Supplier to furnish or perform any of the Work against which Contractor has reasonable objection.
- D. Prior to entry into any binding subcontract or purchase order, Contractor shall submit to Owner the identity of the proposed Subcontractor or Supplier (unless Owner has already deemed such proposed Subcontractor or Supplier acceptable during the bidding process or otherwise). Such proposed Subcontractor or Supplier shall be deemed acceptable to Owner unless Owner raises a substantive, reasonable objection within 5 days.
- E. Owner may require the replacement of any Subcontractor or Supplier. Owner also may require Contractor to retain specific replacements; provided, however, that Owner may not require a replacement to which Contractor has a reasonable objection. If Contractor has submitted the identity of certain Subcontractors or Suppliers for acceptance by Owner, and Owner has accepted it (either in writing or by failing to make written objection thereto), then Owner may subsequently revoke the acceptance of any such Subcontractor or Supplier so identified solely on the basis of substantive, reasonable objection after due investigation. Contractor shall submit an acceptable replacement for the rejected Subcontractor or Supplier.
- F. If Owner requires the replacement of any Subcontractor or Supplier retained by Contractor to perform any part of the Work, then Contractor shall be entitled to an adjustment in Contract Price or Contract Times, with respect to the replacement; and Contractor shall initiate a Change Proposal for such adjustment within 30 days of Owner's requirement of replacement.
- G. No acceptance by Owner of any such Subcontractor or Supplier, whether initially or as a replacement, will constitute a waiver of the right of Owner to the completion of the Work in accordance with the Contract Documents.
- H. On a monthly basis, Contractor shall submit to Engineer a complete list of all Subcontractors and Suppliers having a direct contract with Contractor, and of all other Subcontractors and Suppliers known to Contractor at the time of submittal.
- I. Contractor shall be solely responsible for scheduling and coordinating the work of Subcontractors and Suppliers.

- J. The divisions and sections of the Specifications and the identifications of any Drawings do not control Contractor in dividing the Work among Subcontractors or Suppliers, or in delineating the Work to be performed by any specific trade.
- K. All Work performed for Contractor by a Subcontractor or Supplier must be pursuant to an appropriate contractual agreement that specifically binds the Subcontractor or Supplier to the applicable terms and conditions of the Contract for the benefit of Owner and Engineer.
- L. Owner may furnish to any Subcontractor or Supplier, to the extent practicable, information about amounts paid to Contractor for Work performed for Contractor by the Subcontractor or Supplier.
- M. Contractor shall restrict all Subcontractors and Suppliers from communicating with Engineer or Owner, except through Contractor or in case of an emergency, or as otherwise expressly allowed in this Contract.

7.08 Patent Fees and Royalties

- A. Contractor shall pay all license fees and royalties and assume all costs incident to the use in the performance of the Work or the incorporation in the Work of any invention, design, process, product, or device which is the subject of patent rights or copyrights held by others. If an invention, design, process, product, or device is specified in the Contract Documents for use in the performance of the Work and if, to the actual knowledge of Owner or Engineer, its use is subject to patent rights or copyrights calling for the payment of any license fee or royalty to others, the existence of such rights will be disclosed in the Contract Documents.
- B. To the fullest extent permitted by Laws and Regulations, Owner shall indemnify and hold harmless Contractor, and its officers, directors, members, partners, employees, agents, consultants, and subcontractors, from and against all claims, costs, losses, and damages (including but not limited to all fees and charges of engineers, architects, attorneys, and other professionals, and all court or arbitration or other dispute resolution costs) arising out of or relating to any infringement of patent rights or copyrights incident to the use in the performance of the Work or resulting from the incorporation in the Work of any invention, design, process, product, or device specified in the Contract Documents, but not identified as being subject to payment of any license fee or royalty to others required by patent rights or copyrights.
- C. To the fullest extent permitted by Laws and Regulations, Contractor shall indemnify and hold harmless Owner and Engineer, and the officers, directors, members, partners, employees, agents, consultants and subcontractors of each and any of them, from and against all claims, costs, losses, and damages (including but not limited to all fees and charges of engineers, architects, attorneys, and other professionals and all court or arbitration or other dispute resolution costs) arising out of or relating to any infringement of patent rights or copyrights incident to the use in the performance of the Work or resulting from the incorporation in the Work of any invention, design, process, product, or device not specified in the Contract Documents.

7.09 Permits

- A. Unless otherwise provided in the Contract Documents, Contractor shall obtain and pay for all construction permits, licenses, and certificates of occupancy. Owner shall assist Contractor, when necessary, in obtaining such permits and licenses. Contractor shall pay all governmental charges and inspection fees necessary for the prosecution of the Work which are applicable at the time of the submission of Contractor's Bid (or when Contractor became bound under a negotiated contract). Owner shall pay all charges of utility owners for connections for providing permanent service to the Work.

7.10 Taxes

- A. Contractor shall pay all sales, consumer, use, and other similar taxes required to be paid by Contractor in accordance with the Laws and Regulations of the place of the Project which are applicable during the performance of the Work.

7.11 Laws and Regulations

- A. Contractor shall give all notices required by and shall comply with all Laws and Regulations applicable to the performance of the Work. Neither Owner nor Engineer shall be responsible for monitoring Contractor's compliance with any Laws or Regulations.
- B. If Contractor performs any Work or takes any other action knowing or having reason to know that it is contrary to Laws or Regulations, Contractor shall bear all resulting costs and losses, and shall indemnify and hold harmless Owner and Engineer, and the officers, directors, members, partners, employees, agents, consultants, and subcontractors of each and any of them, from and against all claims, costs, losses, and damages (including but not limited to all fees and charges of engineers, architects, attorneys, and other professionals and all court or arbitration or other dispute resolution costs) arising out of or relating to such Work or other action. It is not Contractor's responsibility to make certain that the Work described in the Contract Documents is in accordance with Laws and Regulations, but this does not relieve Contractor of its obligations under Paragraph 3.03.
- C. Owner or Contractor may give written notice to the other party of any changes after the submission of Contractor's Bid (or after the date when Contractor became bound under a negotiated contract) in Laws or Regulations having an effect on the cost or time of performance of the Work, including but not limited to changes in Laws or Regulations having an effect on procuring permits and on sales, use, value-added, consumption, and other similar taxes. If Owner and Contractor are unable to agree on entitlement to or on the amount or extent, if any, of any adjustment in Contract Price or Contract Times resulting from such changes, then within 30 days of such written notice Contractor may submit a Change Proposal, or Owner may initiate a Claim.

7.12 Record Documents

- A. Contractor shall maintain in a safe place at the Site one printed record copy of all Drawings, Specifications, Addenda, Change Orders, Work Change Directives, Field Orders, written interpretations and clarifications, and approved Shop Drawings. Contractor shall keep such record documents in good order and annotate them to show changes made during construction. These record documents, together with all approved Samples, will be available to Engineer for reference. Upon completion of the Work, Contractor shall deliver these record documents to Engineer.

7.13 Safety and Protection

- A. Contractor shall be solely responsible for initiating, maintaining, and supervising all safety precautions and programs in connection with the Work. Such responsibility does not relieve Subcontractors of their responsibility for the safety of persons or property in the performance of their work, nor for compliance with applicable safety Laws and Regulations.
- B. Contractor shall designate a qualified and experienced safety representative whose duties and responsibilities are the prevention of Work-related accidents and the maintenance and supervision of safety precautions and programs.
- C. Contractor shall take all necessary precautions for the safety of, and shall provide the necessary protection to prevent damage, injury, or loss to:
 - 1. All persons on the Site or who may be affected by the Work;

2. All the Work and materials and equipment to be incorporated therein, whether in storage on or off the Site; and
 3. Other property at the Site or adjacent thereto, including trees, shrubs, lawns, walks, pavements, roadways, structures, other work in progress, utilities, and Underground Facilities not designated for removal, relocation, or replacement in the course of construction.
- D. All damage, injury, or loss to any property referred to in Paragraph 7.13.C.2 or 7.13.C.3 caused, directly or indirectly, in whole or in part, by Contractor, any Subcontractor, Supplier, or any other individual or entity directly or indirectly employed by any of them to perform any of the Work, or anyone for whose acts any of them may be liable, shall be remedied by Contractor at its expense (except damage or loss attributable to the fault of Drawings or Specifications or to the acts or omissions of Owner or Engineer or anyone employed by any of them, or anyone for whose acts any of them may be liable, and not attributable, directly or indirectly, in whole or in part, to the fault or negligence of Contractor or any Subcontractor, Supplier, or other individual or entity directly or indirectly employed by any of them).
 - E. Contractor shall comply with all applicable Laws and Regulations relating to the safety of persons or property, or to the protection of persons or property from damage, injury, or loss; and shall erect and maintain all necessary safeguards for such safety and protection.
 - F. Contractor shall notify Owner; the owners of adjacent property; the owners of Underground Facilities and other utilities (if the identity of such owners is known to Contractor); and other contractors and utility owners performing work at or adjacent to the Site, in writing, when Contractor knows that prosecution of the Work may affect them, and shall cooperate with them in the protection, removal, relocation, and replacement of their property or work in progress.
 - G. Contractor shall comply with the applicable requirements of Owner's safety programs, if any. Any Owner's safety programs that are applicable to the Work are identified or included in the Supplementary Conditions or Specifications.
 - H. Contractor shall inform Owner and Engineer of the specific requirements of Contractor's safety program with which Owner's and Engineer's employees and representatives must comply while at the Site.
 - I. Contractor's duties and responsibilities for safety and protection will continue until all the Work is completed, Engineer has issued a written notice to Owner and Contractor in accordance with Paragraph 15.06.C that the Work is acceptable, and Contractor has left the Site (except as otherwise expressly provided in connection with Substantial Completion).
 - J. Contractor's duties and responsibilities for safety and protection will resume whenever Contractor or any Subcontractor or Supplier returns to the Site to fulfill warranty or correction obligations, or to conduct other tasks arising from the Contract Documents.

7.14 Hazard Communication Programs

- A. Contractor shall be responsible for coordinating any exchange of safety data sheets (formerly known as material safety data sheets) or other hazard communication information required to be made available to or exchanged between or among employers at the Site in accordance with Laws or Regulations.

7.15 Emergencies

- A. In emergencies affecting the safety or protection of persons or the Work or property at the Site or adjacent thereto, Contractor is obligated to act to prevent damage, injury, or loss. Contractor shall give Engineer prompt written notice if Contractor believes that any significant changes in the Work or variations from the Contract Documents have been caused by an emergency, or are required as a result of Contractor's response to an emergency. If Engineer determines that a change in the Contract Documents is required

because of an emergency or Contractor's response, a Work Change Directive or Change Order will be issued.

7.16 Submittals

A. Shop Drawing and Sample Requirements

1. Before submitting a Shop Drawing or Sample, Contractor shall:
 - a. Review and coordinate the Shop Drawing or Sample with other Shop Drawings and Samples and with the requirements of the Work and the Contract Documents;
 - b. Determine and verify:
 - 1) All field measurements, quantities, dimensions, specified performance and design criteria, installation requirements, materials, catalog numbers, and similar information with respect to the Submittal;
 - 2) The suitability of all materials and equipment offered with respect to the indicated application, fabrication, shipping, handling, storage, assembly, and installation pertaining to the performance of the Work; and
 - 3) All information relative to Contractor's responsibilities for means, methods, techniques, sequences, and procedures of construction, and safety precautions and programs incident thereto;
 - c. Confirm that the Submittal is complete with respect to all related data included in the Submittal.
2. Each Shop Drawing or Sample must bear a stamp or specific written certification that Contractor has satisfied Contractor's obligations under the Contract Documents with respect to Contractor's review of that Submittal, and that Contractor approves the Submittal.
3. With each Shop Drawing or Sample, Contractor shall give Engineer specific written notice of any variations that the Submittal may have from the requirements of the Contract Documents. This notice must be set forth in a written communication separate from the Submittal; and, in addition, in the case of a Shop Drawing by a specific notation made on the Shop Drawing itself.

B. Submittal Procedures for Shop Drawings and Samples

Contractor shall label and submit Shop Drawings and Samples to Engineer for review and approval in accordance with the accepted Schedule of Submittals.

1. Shop Drawings
 - a. Contractor shall submit the number of copies required in the Specifications.
 - b. Data shown on the Shop Drawings must be complete with respect to quantities, dimensions, specified performance and design criteria, materials, and similar data to show Engineer the services, materials, and equipment Contractor proposes to provide, and to enable Engineer to review the information for the limited purposes required by Paragraph 7.16.C.
2. Samples
 - a. Contractor shall submit the number of Samples required in the Specifications.
 - b. Contractor shall clearly identify each Sample as to material, Supplier, pertinent data such as catalog numbers, the use for which intended and other data as Engineer may require to enable Engineer to review the Submittal for the limited purposes required by Paragraph 7.16.C.
3. Where a Shop Drawing or Sample is required by the Contract Documents or the Schedule of Submittals, any related Work performed prior to Engineer's review and approval of the pertinent submittal will be at the sole expense and responsibility of Contractor.

C. Engineer's Review of Shop Drawings and Samples

1. Engineer will provide timely review of Shop Drawings and Samples in accordance with the accepted Schedule of Submittals. Engineer's review and approval will be only to determine if the items covered by the Submittals will, after installation or incorporation in the Work, comply with the requirements of the Contract Documents, and be compatible with the design concept of the completed Project as a functioning whole as indicated by the Contract Documents.
2. Engineer's review and approval will not extend to means, methods, techniques, sequences, or procedures of construction, or to safety precautions or programs incident thereto.
3. Engineer's review and approval of a separate item as such will not indicate approval of the assembly in which the item functions.
4. Engineer's review and approval of a Shop Drawing or Sample will not relieve Contractor from responsibility for any variation from the requirements of the Contract Documents unless Contractor has complied with the requirements of Paragraph 7.16.A.3 and Engineer has given written approval of each such variation by specific written notation thereof incorporated in or accompanying the Shop Drawing or Sample. Engineer will document any such approved variation from the requirements of the Contract Documents in a Field Order or other appropriate Contract modification.
5. Engineer's review and approval of a Shop Drawing or Sample will not relieve Contractor from responsibility for complying with the requirements of Paragraphs 7.16.A and B.
6. Engineer's review and approval of a Shop Drawing or Sample, or of a variation from the requirements of the Contract Documents, will not, under any circumstances, change the Contract Times or Contract Price, unless such changes are included in a Change Order.
7. Neither Engineer's receipt, review, acceptance, or approval of a Shop Drawing or Sample will result in such item becoming a Contract Document.
8. Contractor shall perform the Work in compliance with the requirements and commitments set forth in approved Shop Drawings and Samples, subject to the provisions of Paragraph 7.16.C.4.

D. Resubmittal Procedures for Shop Drawings and Samples

1. Contractor shall make corrections required by Engineer and shall return the required number of corrected copies of Shop Drawings and submit, as required, new Samples for review and approval. Contractor shall direct specific attention in writing to revisions other than the corrections called for by Engineer on previous Submittals.
2. Contractor shall furnish required Shop Drawing and Sample submittals with sufficient information and accuracy to obtain required approval of an item with no more than two resubmittals. Engineer will record Engineer's time for reviewing a third or subsequent resubmittal of a Shop Drawing or Sample, and Contractor shall be responsible for Engineer's charges to Owner for such time. Owner may impose a set-off against payments due Contractor to secure reimbursement for such charges.
3. If Contractor requests a change of a previously approved Shop Drawing or Sample, Contractor shall be responsible for Engineer's charges to Owner for its review time, and Owner may impose a set-off against payments due Contractor to secure reimbursement for such charges, unless the need for such change is beyond the control of Contractor.

E. Submittals Other than Shop Drawings, Samples, and Owner-Delegated Designs

1. The following provisions apply to all Submittals other than Shop Drawings, Samples, and Owner-delegated designs:
 - a. Contractor shall submit all such Submittals to the Engineer in accordance with the Schedule of Submittals and pursuant to the applicable terms of the Contract Documents.
 - b. Engineer will provide timely review of all such Submittals in accordance with the Schedule of Submittals and return such Submittals with a notation of either Accepted or Not Accepted. Any

such Submittal that is not returned within the time established in the Schedule of Submittals will be deemed accepted.

- c. Engineer's review will be only to determine if the Submittal is acceptable under the requirements of the Contract Documents as to general form and content of the Submittal.
 - d. If any such Submittal is not accepted, Contractor shall confer with Engineer regarding the reason for the non-acceptance, and resubmit an acceptable document.
2. Procedures for the submittal and acceptance of the Progress Schedule, the Schedule of Submittals, and the Schedule of Values are set forth in Paragraphs 2.03, 2.04, and 2.05.

F. Owner-delegated Designs

Submittals pursuant to Owner-delegated designs are governed by the provisions of Paragraph 7.19.

7.17 Contractor's General Warranty and Guarantee

- A. Contractor warrants and guarantees to Owner that all Work will be in accordance with the Contract Documents and will not be defective. Engineer is entitled to rely on Contractor's warranty and guarantee.
- B. Owner's rights under this warranty and guarantee are in addition to, and are not limited by, Owner's rights under the correction period provisions of Paragraph 15.08. The time in which Owner may enforce its warranty and guarantee rights under this Paragraph 7.17 is limited only by applicable Laws and Regulations restricting actions to enforce such rights; provided, however, that after the end of the correction period under Paragraph 15.08:
 1. Owner shall give Contractor written notice of any defective Work within 60 days of the discovery that such Work is defective; and
 2. Such notice will be deemed the start of an event giving rise to a Claim under Paragraph 12.01.B, such that any related Claim must be brought within 30 days of the notice.
- C. Contractor's warranty and guarantee hereunder excludes defects or damage caused by:
 1. Abuse, or improper modification, maintenance, or operation, by persons other than Contractor, Subcontractors, Suppliers, or any other individual or entity for whom Contractor is responsible; or
 2. Normal wear and tear under normal usage.
- D. Contractor's obligation to perform and complete the Work in accordance with the Contract Documents is absolute. None of the following will constitute an acceptance of Work that is not in accordance with the Contract Documents, a release of Contractor's obligation to perform the Work in accordance with the Contract Documents, or a release of Owner's warranty and guarantee rights under this Paragraph 7.17:
 1. Observations by Engineer;
 2. Recommendation by Engineer or payment by Owner of any progress or final payment;
 3. The issuance of a certificate of Substantial Completion by Engineer or any payment related thereto by Owner;
 4. Use or occupancy of the Work or any part thereof by Owner;
 5. Any review and approval of a Shop Drawing or Sample submittal;
 6. The issuance of a notice of acceptability by Engineer;
 7. The end of the correction period established in Paragraph 15.08;
 8. Any inspection, test, or approval by others; or
 9. Any correction of defective Work by Owner.
- E. If the Contract requires the Contractor to accept the assignment of a contract entered into by Owner, then the specific warranties, guarantees, and correction obligations contained in the assigned contract will

govern with respect to Contractor's performance obligations to Owner for the Work described in the assigned contract.

7.18 Indemnification

- A. To the fullest extent permitted by Laws and Regulations, and in addition to any other obligations of Contractor under the Contract or otherwise, Contractor shall indemnify and hold harmless Owner and Engineer, and the officers, directors, members, partners, employees, agents, consultants and subcontractors of each and any of them, from losses, damages, costs, and judgments (including but not limited to all fees and charges of engineers, architects, attorneys, and other professionals, and all court or arbitration or other dispute resolution costs) arising from third-party claims or actions relating to or resulting from the performance or furnishing of the Work, provided that any such claim, action, loss, cost, judgment or damage is attributable to bodily injury, sickness, disease, or death, or to damage to or destruction of tangible property (other than the Work itself), including the loss of use resulting therefrom, but only to the extent caused by any negligent act or omission of Contractor, any Subcontractor, any Supplier, or any individual or entity directly or indirectly employed by any of them to perform any of the Work, or anyone for whose acts any of them may be liable.
- B. In any and all claims against Owner or Engineer, or any of their officers, directors, members, partners, employees, agents, consultants, or subcontractors, by any employee (or the survivor or personal representative of such employee) of Contractor, any Subcontractor, any Supplier, or any individual or entity directly or indirectly employed by any of them to perform any of the Work, or anyone for whose acts any of them may be liable, the indemnification obligation under Paragraph 7.18.A will not be limited in any way by any limitation on the amount or type of damages, compensation, or benefits payable by or for Contractor or any such Subcontractor, Supplier, or other individual or entity under workers' compensation acts, disability benefit acts, or other employee benefit acts.

7.19 Delegation of Professional Design Services

- A. Owner may require Contractor to provide professional design services for a portion of the Work by express delegation in the Contract Documents. Such delegation will specify the performance and design criteria that such services must satisfy, and the Submittals that Contractor must furnish to Engineer with respect to the Owner-delegated design.
- B. Contractor shall cause such Owner-delegated professional design services to be provided pursuant to the professional standard of care by a properly licensed design professional, whose signature and seal must appear on all drawings, calculations, specifications, certifications, and Submittals prepared by such design professional. Such design professional must issue all certifications of design required by Laws and Regulations.
- C. If a Shop Drawing or other Submittal related to the Owner-delegated design is prepared by Contractor, a Subcontractor, or others for submittal to Engineer, then such Shop Drawing or other Submittal must bear the written approval of Contractor's design professional when submitted by Contractor to Engineer.
- D. Owner and Engineer shall be entitled to rely upon the adequacy, accuracy, and completeness of the services, certifications, and approvals performed or provided by the design professionals retained or employed by Contractor under an Owner-delegated design, subject to the professional standard of care and the performance and design criteria stated in the Contract Documents.
- E. Pursuant to this Paragraph 7.19, Engineer's review, approval, and other determinations regarding design drawings, calculations, specifications, certifications, and other Submittals furnished by Contractor pursuant to an Owner-delegated design will be only for the following limited purposes:
 - 1. Checking for conformance with the requirements of this Paragraph 7.19;

2. Confirming that Contractor (through its design professionals) has used the performance and design criteria specified in the Contract Documents; and
 3. Establishing that the design furnished by Contractor is consistent with the design concept expressed in the Contract Documents.
- F. Contractor shall not be responsible for the adequacy of performance or design criteria specified by Owner or Engineer.
- G. Contractor is not required to provide professional services in violation of applicable Laws and Regulations.

ARTICLE 8. Other Work at the Site

8.01 Other Work

- A. In addition to and apart from the Work under the Contract Documents, the Owner may perform other work at or adjacent to the Site. Such other work may be performed by Owner's employees, or through contracts between the Owner and third parties. Owner may also arrange to have third-party utility owners perform work on their utilities and facilities at or adjacent to the Site.
- B. If Owner performs other work at or adjacent to the Site with Owner's employees, or through contracts for such other work, then Owner shall give Contractor written notice thereof prior to starting any such other work. If Owner has advance information regarding the start of any third-party utility work that Owner has arranged to take place at or adjacent to the Site, Owner shall provide such information to Contractor.
- C. Contractor shall afford proper and safe access to the Site to each contractor that performs such other work, each utility owner performing other work, and Owner, if Owner is performing other work with Owner's employees, and provide a reasonable opportunity for the introduction and storage of materials and equipment and the execution of such other work.
- D. Contractor shall do all cutting, fitting, and patching of the Work that may be required to properly connect or otherwise make its several parts come together and properly integrate with such other work. Contractor shall not endanger any work of others by cutting, excavating, or otherwise altering such work; provided, however, that Contractor may cut or alter others' work with the written consent of Engineer and the others whose work will be affected.
- E. If the proper execution or results of any part of Contractor's Work depends upon work performed by others, Contractor shall inspect such other work and promptly report to Engineer in writing any delays, defects, or deficiencies in such other work that render it unavailable or unsuitable for the proper execution and results of Contractor's Work. Contractor's failure to so report will constitute an acceptance of such other work as fit and proper for integration with Contractor's Work except for latent defects and deficiencies in such other work.
- F. The provisions of this article are not applicable to work that is performed by third-party utilities or other third-party entities without a contract with Owner, or that is performed without having been arranged by Owner. If such work occurs, then any related delay, disruption, or interference incurred by Contractor is governed by the provisions of Paragraph 4.05.C.3.

8.02 Coordination

- A. If Owner intends to contract with others for the performance of other work at or adjacent to the Site, to perform other work at or adjacent to the Site with Owner's employees, or to arrange to have utility owners perform work at or adjacent to the Site, the following will be set forth in the Supplementary Conditions or provided to Contractor prior to the start of any such other work:

1. The identity of the individual or entity that will have authority and responsibility for coordination of the activities among the various contractors;
 2. An itemization of the specific matters to be covered by such authority and responsibility; and
 3. The extent of such authority and responsibilities.
- B. Unless otherwise provided in the Supplementary Conditions, Owner shall have sole authority and responsibility for such coordination.

8.03 Legal Relationships

- A. If, in the course of performing other work for Owner at or adjacent to the Site, the Owner's employees, any other contractor working for Owner, or any utility owner that Owner has arranged to perform work, causes damage to the Work or to the property of Contractor or its Subcontractors, or delays, disrupts, interferes with, or increases the scope or cost of the performance of the Work, through actions or inaction, then Contractor shall be entitled to an equitable adjustment in the Contract Price or the Contract Times. Contractor must submit any Change Proposal seeking an equitable adjustment in the Contract Price or the Contract Times under this paragraph within 30 days of the damaging, delaying, disrupting, or interfering event. The entitlement to, and extent of, any such equitable adjustment will take into account information (if any) regarding such other work that was provided to Contractor in the Contract Documents prior to the submittal of the Bid or the final negotiation of the terms of the Contract, and any remedies available to Contractor under Laws or Regulations concerning utility action or inaction. When applicable, any such equitable adjustment in Contract Price will be conditioned on Contractor assigning to Owner all Contractor's rights against such other contractor or utility owner with respect to the damage, delay, disruption, or interference that is the subject of the adjustment. Contractor's entitlement to an adjustment of the Contract Times or Contract Price is subject to the provisions of Paragraphs 4.05.D and 4.05.E.
- B. Contractor shall take reasonable and customary measures to avoid damaging, delaying, disrupting, or interfering with the work of Owner, any other contractor, or any utility owner performing other work at or adjacent to the Site.
1. If Contractor fails to take such measures and as a result damages, delays, disrupts, or interferes with the work of any such other contractor or utility owner, then Owner may impose a set-off against payments due Contractor, and assign to such other contractor or utility owner the Owner's contractual rights against Contractor with respect to the breach of the obligations set forth in this Paragraph 8.03.B.
 2. When Owner is performing other work at or adjacent to the Site with Owner's employees, Contractor shall be liable to Owner for damage to such other work, and for the reasonable direct delay, disruption, and interference costs incurred by Owner as a result of Contractor's failure to take reasonable and customary measures with respect to Owner's other work. In response to such damage, delay, disruption, or interference, Owner may impose a set-off against payments due Contractor.
- C. If Contractor damages, delays, disrupts, or interferes with the work of any other contractor, or any utility owner performing other work at or adjacent to the Site, through Contractor's failure to take reasonable and customary measures to avoid such impacts, or if any claim arising out of Contractor's actions, inactions, or negligence in performance of the Work at or adjacent to the Site is made by any such other contractor or utility owner against Contractor, Owner, or Engineer, then Contractor shall (1) promptly attempt to settle the claim as to all parties through negotiations with such other contractor or utility owner, or otherwise resolve the claim by arbitration or other dispute resolution proceeding or at law, and (2) indemnify and hold harmless Owner and Engineer, and the officers, directors, members, partners, employees, agents, consultants and subcontractors of each and any of them from and against any such claims, and against all costs, losses, and damages (including but not limited to all fees and charges of engineers, architects, attorneys, and other professionals and all court or arbitration or other dispute resolution costs) arising out of or relating to such damage, delay, disruption, or interference.

ARTICLE 9. Owner's Responsibilities

9.01 Communications to Contractor

- A. Except as otherwise provided in these General Conditions, Owner shall issue all communications to Contractor through Engineer.

9.02 Replacement of Engineer

- A. Owner may at its discretion appoint an engineer to replace Engineer, provided Contractor makes no reasonable objection to the replacement engineer. The replacement engineer's status under the Contract Documents will be that of the former Engineer.

9.03 Furnish Data

- A. Owner shall promptly furnish the data required of Owner under the Contract Documents.

9.04 Pay When Due

- A. Owner shall make payments to Contractor when they are due as provided in the Agreement.

9.05 Lands and Easements; Reports, Tests, and Drawings

- A. Owner's duties with respect to providing lands and easements are set forth in Paragraph 5.01.
- B. Owner's duties with respect to providing engineering surveys to establish reference points are set forth in Paragraph 4.03.
- C. Article 5 refers to Owner's identifying and making available to Contractor copies of reports of explorations and tests of conditions at the Site, and drawings of physical conditions relating to existing surface or subsurface structures at the Site.

9.06 Insurance

- A. Owner's responsibilities, if any, with respect to purchasing and maintaining liability and property insurance are set forth in Article 6.

9.07 Change Orders

- A. Owner's responsibilities with respect to Change Orders are set forth in Article 11.

9.08 Inspections, Tests, and Approvals

- A. Owner's responsibility with respect to certain inspections, tests, and approvals is set forth in Paragraph 14.02.B.

9.09 Limitations on Owner's Responsibilities

- A. The Owner shall not supervise, direct, or have control or authority over, nor be responsible for, Contractor's means, methods, techniques, sequences, or procedures of construction, or the safety precautions and programs incident thereto, or for any failure of Contractor to comply with Laws and Regulations applicable to the performance of the Work. Owner will not be responsible for Contractor's failure to perform the Work in accordance with the Contract Documents.

9.10 Undisclosed Hazardous Environmental Condition

- A. Owner's responsibility in respect to an undisclosed Hazardous Environmental Condition is set forth in Paragraph 5.06.

9.11 Evidence of Financial Arrangements

- A. Upon request of Contractor, Owner shall furnish Contractor reasonable evidence that financial arrangements have been made to satisfy Owner's obligations under the Contract (including obligations under proposed changes in the Work).

9.12 Safety Programs

- A. While at the Site, Owner's employees and representatives shall comply with the specific applicable requirements of Contractor's safety programs of which Owner has been informed.
- B. Owner shall furnish copies of any applicable Owner safety programs to Contractor.

ARTICLE 10. Engineer's Status During Construction

10.01 Owner's Representative

- A. Engineer will be Owner's representative during the construction period. The duties and responsibilities and the limitations of authority of Engineer as Owner's representative during construction are set forth in the Contract.

10.02 Visits to Site

- A. Engineer will make visits to the Site at intervals appropriate to the various stages of construction as Engineer deems necessary in order to observe, as an experienced and qualified design professional, the progress that has been made and the quality of the various aspects of Contractor's executed Work. Based on information obtained during such visits and observations, Engineer, for the benefit of Owner, will determine, in general, if the Work is proceeding in accordance with the Contract Documents. Engineer will not be required to make exhaustive or continuous inspections on the Site to check the quality or quantity of the Work. Engineer's efforts will be directed toward providing for Owner a greater degree of confidence that the completed Work will conform generally to the Contract Documents. On the basis of such visits and observations, Engineer will keep Owner informed of the progress of the Work and will endeavor to guard Owner against defective Work.
- B. Engineer's visits and observations are subject to all the limitations on Engineer's authority and responsibility set forth in Paragraph 10.07. Particularly, but without limitation, during or as a result of Engineer's visits or observations of Contractor's Work, Engineer will not supervise, direct, control, or have authority over or be responsible for Contractor's means, methods, techniques, sequences, or procedures of construction, or the safety precautions and programs incident thereto, or for any failure of Contractor to comply with Laws and Regulations applicable to the performance of the Work.

10.03 Resident Project Representative

- A. If Owner and Engineer have agreed that Engineer will furnish a Resident Project Representative to represent Engineer at the Site and assist Engineer in observing the progress and quality of the Work, then the authority and responsibilities of any such Resident Project Representative will be as provided in the Supplementary Conditions, and limitations on the responsibilities thereof will be as provided in the Supplementary Conditions and in Paragraph 10.07.
- B. If Owner designates an individual or entity who is not Engineer's consultant, agent, or employee to represent Owner at the Site, then the responsibilities and authority of such individual or entity will be as provided in the Supplementary Conditions.

10.04 Engineer's Authority

- A. Engineer has the authority to reject Work in accordance with Article 14.
- B. Engineer's authority as to Submittals is set forth in Paragraph 7.16.

- C. Engineer's authority as to design drawings, calculations, specifications, certifications and other Submittals from Contractor in response to Owner's delegation (if any) to Contractor of professional design services, is set forth in Paragraph 7.19.
- D. Engineer's authority as to changes in the Work is set forth in Article 11.
- E. Engineer's authority as to Applications for Payment is set forth in Article 15.

10.05 Determinations for Unit Price Work

- A. Engineer will determine the actual quantities and classifications of Unit Price Work performed by Contractor as set forth in Paragraph 13.03.

10.06 Decisions on Requirements of Contract Documents and Acceptability of Work

- A. Engineer will render decisions regarding the requirements of the Contract Documents, and judge the acceptability of the Work, pursuant to the specific procedures set forth herein for initial interpretations, Change Proposals, and acceptance of the Work. In rendering such decisions and judgments, Engineer will not show partiality to Owner or Contractor, and will not be liable to Owner, Contractor, or others in connection with any proceedings, interpretations, decisions, or judgments conducted or rendered in good faith.

10.07 Limitations on Engineer's Authority and Responsibilities

- A. Neither Engineer's authority or responsibility under this Article 10 or under any other provision of the Contract, nor any decision made by Engineer in good faith either to exercise or not exercise such authority or responsibility or the undertaking, exercise, or performance of any authority or responsibility by Engineer, will create, impose, or give rise to any duty in contract, tort, or otherwise owed by Engineer to Contractor, any Subcontractor, any Supplier, any other individual or entity, or to any surety for or employee or agent of any of them.
- B. Engineer will not supervise, direct, control, or have authority over or be responsible for Contractor's means, methods, techniques, sequences, or procedures of construction, or the safety precautions and programs incident thereto, or for any failure of Contractor to comply with Laws and Regulations applicable to the performance of the Work. Engineer will not be responsible for Contractor's failure to perform the Work in accordance with the Contract Documents.
- C. Engineer will not be responsible for the acts or omissions of Contractor or of any Subcontractor, any Supplier, or of any other individual or entity performing any of the Work.
- D. Engineer's review of the final Application for Payment and accompanying documentation, and all maintenance and operating instructions, schedules, guarantees, bonds, certificates of inspection, tests and approvals, and other documentation required to be delivered by Contractor under Paragraph 15.06.A, will only be to determine generally that their content complies with the requirements of, and in the case of certificates of inspections, tests, and approvals, that the results certified indicate compliance with the Contract Documents.
- E. The limitations upon authority and responsibility set forth in this Paragraph 10.07 also apply to the Resident Project Representative, if any.

10.08 Compliance with Safety Program

- A. While at the Site, Engineer's employees and representatives will comply with the specific applicable requirements of Owner's and Contractor's safety programs of which Engineer has been informed.

ARTICLE 11. Changes to the Contract

11.01 Amending and Supplementing the Contract

- A. The Contract may be amended or supplemented by a Change Order, a Work Change Directive, or a Field Order.
- B. If an amendment or supplement to the Contract includes a change in the Contract Price or the Contract Times, such amendment or supplement must be set forth in a Change Order.
- C. All changes to the Contract that involve (1) the performance or acceptability of the Work, (2) the design (as set forth in the Drawings, Specifications, or otherwise), or (3) other engineering or technical matters, must be supported by Engineer's recommendation. Owner and Contractor may amend other terms and conditions of the Contract without the recommendation of the Engineer.

11.02 Change Orders

- A. Owner and Contractor shall execute appropriate Change Orders covering:
 - 1. Changes in Contract Price or Contract Times which are agreed to by the parties, including any undisputed sum or amount of time for Work actually performed in accordance with a Work Change Directive;
 - 2. Changes in Contract Price resulting from an Owner set-off, unless Contractor has duly contested such set-off;
 - 3. Changes in the Work which are: (a) ordered by Owner pursuant to Paragraph 11.05, (b) required because of Owner's acceptance of defective Work under Paragraph 14.04 or Owner's correction of defective Work under Paragraph 14.07, or (c) agreed to by the parties, subject to the need for Engineer's recommendation if the change in the Work involves the design (as set forth in the Drawings, Specifications, or otherwise) or other engineering or technical matters; and
 - 4. Changes that embody the substance of any final and binding results under: Paragraph 11.03.B, resolving the impact of a Work Change Directive; Paragraph 11.09, concerning Change Proposals; Article 12, Claims; Paragraph 13.02.D, final adjustments resulting from allowances; Paragraph 13.03.D, final adjustments relating to determination of quantities for Unit Price Work; and similar provisions.
- B. If Owner or Contractor refuses to execute a Change Order that is required to be executed under the terms of Paragraph 11.02.A, it will be deemed to be of full force and effect, as if fully executed.

11.03 Work Change Directives

- A. A Work Change Directive will not change the Contract Price or the Contract Times but is evidence that the parties expect that the modification ordered or documented by a Work Change Directive will be incorporated in a subsequently issued Change Order, following negotiations by the parties as to the Work Change Directive's effect, if any, on the Contract Price and Contract Times; or, if negotiations are unsuccessful, by a determination under the terms of the Contract Documents governing adjustments, expressly including Paragraph 11.07 regarding change of Contract Price.
- B. If Owner has issued a Work Change Directive and:
 - 1. Contractor believes that an adjustment in Contract Times or Contract Price is necessary, then Contractor shall submit any Change Proposal seeking such an adjustment no later than 30 days after the completion of the Work set out in the Work Change Directive.
 - 2. Owner believes that an adjustment in Contract Times or Contract Price is necessary, then Owner shall submit any Claim seeking such an adjustment no later than 60 days after issuance of the Work Change Directive.

11.04 Field Orders

- A. Engineer may authorize minor changes in the Work if the changes do not involve an adjustment in the Contract Price or the Contract Times and are compatible with the design concept of the completed Project as a functioning whole as indicated by the Contract Documents. Such changes will be accomplished by a Field Order and will be binding on Owner and also on Contractor, which shall perform the Work involved promptly.
- B. If Contractor believes that a Field Order justifies an adjustment in the Contract Price or Contract Times, then before proceeding with the Work at issue, Contractor shall submit a Change Proposal as provided herein.

11.05 Owner-Authorized Changes in the Work

- A. Without invalidating the Contract and without notice to any surety, Owner may, at any time or from time to time, order additions, deletions, or revisions in the Work. Changes involving the design (as set forth in the Drawings, Specifications, or otherwise) or other engineering or technical matters will be supported by Engineer's recommendation.
- B. Such changes in the Work may be accomplished by a Change Order, if Owner and Contractor have agreed as to the effect, if any, of the changes on Contract Times or Contract Price; or by a Work Change Directive. Upon receipt of any such document, Contractor shall promptly proceed with the Work involved; or, in the case of a deletion in the Work, promptly cease construction activities with respect to such deleted Work. Added or revised Work must be performed under the applicable conditions of the Contract Documents.
- C. Nothing in this Paragraph 11.05 obligates Contractor to undertake work that Contractor reasonably concludes cannot be performed in a manner consistent with Contractor's safety obligations under the Contract Documents or Laws and Regulations.

11.06 Unauthorized Changes in the Work

- A. Contractor shall not be entitled to an increase in the Contract Price or an extension of the Contract Times with respect to any work performed that is not required by the Contract Documents, as amended, modified, or supplemented, except in the case of an emergency as provided in Paragraph 7.15 or in the case of uncovering Work as provided in Paragraph 14.05.C.2.

11.07 Change of Contract Price

- A. The Contract Price may only be changed by a Change Order. Any Change Proposal for an adjustment in the Contract Price must comply with the provisions of Paragraph 11.09. Any Claim for an adjustment of Contract Price must comply with the provisions of Article 12.
- B. An adjustment in the Contract Price will be determined as follows:
 - 1. Where the Work involved is covered by unit prices contained in the Contract Documents, then by application of such unit prices to the quantities of the items involved (subject to the provisions of Paragraph 13.03);
 - 2. Where the Work involved is not covered by unit prices contained in the Contract Documents, then by a mutually agreed lump sum (which may include an allowance for overhead and profit not necessarily in accordance with Paragraph 11.07.C.2); or
 - 3. Where the Work involved is not covered by unit prices contained in the Contract Documents and the parties do not reach mutual agreement to a lump sum, then on the basis of the Cost of the Work (determined as provided in Paragraph 13.01) plus a Contractor's fee for overhead and profit (determined as provided in Paragraph 11.07.C).

- C. Contractor's Fee: When applicable, the Contractor's fee for overhead and profit will be determined as follows:
1. A mutually acceptable fixed fee; or
 2. If a fixed fee is not agreed upon, then a fee based on the following percentages of the various portions of the Cost of the Work:
 - a. For costs incurred under Paragraphs 13.01.B.1 and 13.01.B.2, the Contractor's fee will be 15 percent;
 - b. For costs incurred under Paragraph 13.01.B.3, the Contractor's fee will be 5 percent;
 - c. Where one or more tiers of subcontracts are on the basis of Cost of the Work plus a fee and no fixed fee is agreed upon, the intent of Paragraphs 11.07.C.2.a and 11.07.C.2.b is that the Contractor's fee will be based on: (1) a fee of 15 percent of the costs incurred under Paragraphs 13.01.B.1 and 13.01.B.2 by the Subcontractor that actually performs the Work, at whatever tier, and (2) with respect to Contractor itself and to any Subcontractors of a tier higher than that of the Subcontractor that actually performs the Work, a fee of 5 percent of the amount (fee plus underlying costs incurred) attributable to the next lower tier Subcontractor; provided, however, that for any such subcontracted Work the maximum total fee to be paid by Owner will be no greater than 27 percent of the costs incurred by the Subcontractor that actually performs the Work;
 - d. No fee will be payable on the basis of costs itemized under Paragraphs 13.01.B.4, 13.01.B.5, and 13.01.C;
 - e. The amount of credit to be allowed by Contractor to Owner for any change which results in a net decrease in Cost of the Work will be the amount of the actual net decrease in Cost of the Work and a deduction of an additional amount equal to 5 percent of such actual net decrease in Cost of the Work; and
 - f. When both additions and credits are involved in any one change or Change Proposal, the adjustment in Contractor's fee will be computed by determining the sum of the costs in each of the cost categories in Paragraph 13.01.B (specifically, payroll costs, Paragraph 13.01.B.1; incorporated materials and equipment costs, Paragraph 13.01.B.2; Subcontract costs, Paragraph 13.01.B.3; special consultants costs, Paragraph 13.01.B.4; and other costs, Paragraph 13.01.B.5) and applying to each such cost category sum the appropriate fee from Paragraphs 11.07.C.2.a through 11.07.C.2.e, inclusive.

11.08 Change of Contract Times

- A. The Contract Times may only be changed by a Change Order. Any Change Proposal for an adjustment in the Contract Times must comply with the provisions of Paragraph 11.09. Any Claim for an adjustment in the Contract Times must comply with the provisions of Article 12.
- B. Delay, disruption, and interference in the Work, and any related changes in Contract Times, are addressed in and governed by Paragraph 4.05.

11.09 Change Proposals

A. Purpose and Content

Contractor shall submit a Change Proposal to Engineer to request an adjustment in the Contract Times or Contract Price; contest an initial decision by Engineer concerning the requirements of the Contract Documents or relating to the acceptability of the Work under the Contract Documents; challenge a set-off against payment due; or seek other relief under the Contract. The Change Proposal will specify any proposed change in Contract Times or Contract Price, or other proposed relief, and explain the reason for the proposed change, with citations to any governing or applicable provisions of the Contract Documents. Each Change Proposal will address only one issue, or a set of closely related issues.

B. Change Proposal Procedures

1. Submittal: Contractor shall submit each Change Proposal to Engineer within 30 days after the start of the event giving rise thereto, or after such initial decision.
2. Supporting Data: The Contractor shall submit supporting data, including the proposed change in Contract Price or Contract Time (if any), to the Engineer and Owner within 15 days after the submittal of the Change Proposal.
 - a. Change Proposals based on or related to delay, interruption, or interference must comply with the provisions of Paragraphs 4.05.D and 4.05.E.
 - b. Change proposals related to a change of Contract Price must include full and detailed accounts of materials incorporated into the Work and labor and equipment used for the subject Work.

The supporting data must be accompanied by a written statement that the supporting data are accurate and complete, and that any requested time or price adjustment is the entire adjustment to which Contractor believes it is entitled as a result of said event.
3. Engineer's Initial Review: Engineer will advise Owner regarding the Change Proposal, and consider any comments or response from Owner regarding the Change Proposal. If in its discretion Engineer concludes that additional supporting data is needed before conducting a full review and making a decision regarding the Change Proposal, then Engineer may request that Contractor submit such additional supporting data by a date specified by Engineer, prior to Engineer beginning its full review of the Change Proposal.
4. Engineer's Full Review and Action on the Change Proposal: Upon receipt of Contractor's supporting data (including any additional data requested by Engineer), Engineer will conduct a full review of each Change Proposal and, within 30 days after such receipt of the Contractor's supporting data, either approve the Change Proposal in whole, deny it in whole, or approve it in part and deny it in part. Such actions must be in writing, with a copy provided to Owner and Contractor. If Engineer does not take action on the Change Proposal within 30 days, then either Owner or Contractor may at any time thereafter submit a letter to the other party indicating that as a result of Engineer's inaction the Change Proposal is deemed denied, thereby commencing the time for appeal of the denial under Article 12.
5. Binding Decision

Engineer's decision is final and binding upon Owner and Contractor, unless Owner or Contractor appeals the decision by filing a Claim under Article 12.

C. Resolution of Certain Change Proposals

If the Change Proposal does not involve the design (as set forth in the Drawings, Specifications, or otherwise), the acceptability of the Work, or other engineering or technical matters, then Engineer will notify the parties in writing that the Engineer is unable to resolve the Change Proposal. For purposes of further resolution of such a Change Proposal, such notice will be deemed a denial, and Contractor may choose to seek resolution under the terms of Article 12.

D. Post-Completion

Contractor shall not submit any Change Proposals after Engineer issues a written recommendation of final payment pursuant to Paragraph 15.06.B.

11.10 Notification to Surety

- A. If the provisions of any bond require notice to be given to a surety of any change affecting the general scope of the Work or the provisions of the Contract Documents (including, but not limited to, Contract Price or Contract Times), the giving of any such notice will be Contractor's responsibility. The amount of each applicable bond will be adjusted to reflect the effect of any such change.

ARTICLE 12. Claims

12.01 Claims

A. Claims Process

The following disputes between Owner and Contractor are subject to the Claims process set forth in this article:

1. Appeals by Owner or Contractor of Engineer's decisions regarding Change Proposals;
2. Owner demands for adjustments in the Contract Price or Contract Times, or other relief under the Contract Documents;
3. Disputes that Engineer has been unable to address because they do not involve the design (as set forth in the Drawings, Specifications, or otherwise), the acceptability of the Work, or other engineering or technical matters; and
4. Subject to the waiver provisions of Paragraph 15.07, any dispute arising after Engineer has issued a written recommendation of final payment pursuant to Paragraph 15.06.B.

B. Submittal of Claim

The party submitting a Claim shall deliver it directly to the other party to the Contract promptly (but in no event later than 30 days) after the start of the event giving rise thereto; in the case of appeals regarding Change Proposals within 30 days of the decision under appeal. The party submitting the Claim shall also furnish a copy to the Engineer, for its information only. The responsibility to substantiate a Claim rests with the party making the Claim. In the case of a Claim by Contractor seeking an increase in the Contract Times or Contract Price, Contractor shall certify that the Claim is made in good faith, that the supporting data are accurate and complete, and that to the best of Contractor's knowledge and belief the amount of time or money requested accurately reflects the full amount to which Contractor is entitled.

C. Review and Resolution

The party receiving a Claim shall review it thoroughly, giving full consideration to its merits. The two parties shall seek to resolve the Claim through the exchange of information and direct negotiations. The parties may extend the time for resolving the Claim by mutual agreement. All actions taken on a Claim will be stated in writing and submitted to the other party, with a copy to Engineer.

D. Mediation

1. At any time after initiation of a Claim, Owner and Contractor may mutually agree to mediation of the underlying dispute. The agreement to mediate will stay the Claim submittal and response process.
2. If Owner and Contractor agree to mediation, then after 60 days from such agreement, either Owner or Contractor may unilaterally terminate the mediation process, and the Claim submittal and decision process will resume as of the date of the termination. If the mediation proceeds but is unsuccessful in resolving the dispute, the Claim submittal and decision process will resume as of the date of the conclusion of the mediation, as determined by the mediator.
3. Owner and Contractor shall each pay one-half of the mediator's fees and costs.

E. Partial Approval

If the party receiving a Claim approves the Claim in part and denies it in part, such action will be final and binding unless within 30 days of such action the other party invokes the procedure set forth in Article 17 for final resolution of disputes.

F. Denial of Claim

If efforts to resolve a Claim are not successful, the party receiving the Claim may deny it by giving written notice of denial to the other party. If the receiving party does not take action on the Claim within 90 days, then either Owner or Contractor may at any time thereafter submit a letter to the other party indicating that as a result of the inaction, the Claim is deemed denied, thereby commencing the time for appeal of

the denial. A denial of the Claim will be final and binding unless within 30 days of the denial the other party invokes the procedure set forth in Article 17 for the final resolution of disputes.

G. Final and Binding Results

If the parties reach a mutual agreement regarding a Claim, whether through approval of the Claim, direct negotiations, mediation, or otherwise; or if a Claim is approved in part and denied in part, or denied in full, and such actions become final and binding; then the results of the agreement or action on the Claim will be incorporated in a Change Order or other written document to the extent they affect the Contract, including the Work, the Contract Times, or the Contract Price.

ARTICLE 13. Cost of the Work; Allowances; Unit Price Work

13.01 Cost of the Work

A. Purposes for Determination of Cost of the Work

The term Cost of the Work means the sum of all costs necessary for the proper performance of the Work at issue, as further defined below. The provisions of this Paragraph 13.01 are used for two distinct purposes:

1. To determine Cost of the Work when Cost of the Work is a component of the Contract Price, under cost-plus-fee, time-and-materials, or other cost-based terms; or
2. When needed to determine the value of a Change Order, Change Proposal, Claim, set-off, or other adjustment in Contract Price. When the value of any such adjustment is determined on the basis of Cost of the Work, Contractor is entitled only to those additional or incremental costs required because of the change in the Work or because of the event giving rise to the adjustment.

B. Costs Included

Except as otherwise may be agreed to in writing by Owner, costs included in the Cost of the Work will be in amounts no higher than those commonly incurred in the locality of the Project, will not include any of the costs itemized in Paragraph 13.01.C, and will include only the following items:

1. Payroll costs for employees in the direct employ of Contractor in the performance of the Work under schedules of job classifications agreed upon by Owner and Contractor in advance of the subject Work. Such employees include, without limitation, superintendents, foremen, safety managers, safety representatives, and other personnel employed full time on the Work. Payroll costs for employees not employed full time on the Work will be apportioned on the basis of their time spent on the Work. Payroll costs include, but are not limited to, salaries and wages plus the cost of fringe benefits, which include social security contributions, unemployment, excise, and payroll taxes, workers' compensation, health and retirement benefits, sick leave, and vacation and holiday pay applicable thereto. The expenses of performing Work outside of regular working hours, on Saturday, Sunday, or legal holidays, will be included in the above to the extent authorized by Owner.
2. Cost of all materials and equipment furnished and incorporated in the Work, including costs of transportation and storage thereof, and Suppliers' field services required in connection therewith. All cash discounts accrue to Contractor unless Owner deposits funds with Contractor with which to make payments, in which case the cash discounts will accrue to Owner. All trade discounts, rebates, and refunds and returns from sale of surplus materials and equipment will accrue to Owner, and Contractor shall make provisions so that they may be obtained.
3. Payments made by Contractor to Subcontractors for Work performed by Subcontractors. If required by Owner, Contractor shall obtain competitive bids from subcontractors acceptable to Owner and Contractor and shall deliver such bids to Owner, which will then determine, with the advice of Engineer, which bids, if any, will be acceptable. If any subcontract provides that the Subcontractor is to be paid on the basis of Cost of the Work plus a fee, the Subcontractor's Cost of the Work and fee will be determined in the same manner as Contractor's Cost of the Work and fee as provided in this Paragraph 13.01.

4. Costs of special consultants (including but not limited to engineers, architects, testing laboratories, surveyors, attorneys, and accountants) employed or retained for services specifically related to the Work.
5. Other costs consisting of the following:
 - a. The proportion of necessary transportation, travel, and subsistence expenses of Contractor's employees incurred in discharge of duties connected with the Work.
 - b. Cost, including transportation and maintenance, of all materials, supplies, equipment, machinery, appliances, office, and temporary facilities at the Site, which are consumed in the performance of the Work, and cost, less market value, of such items used but not consumed which remain the property of Contractor.
 - 1) In establishing included costs for materials such as scaffolding, plating, or sheeting, consideration will be given to the actual or the estimated life of the material for use on other projects; or rental rates may be established on the basis of purchase or salvage value of such items, whichever is less. Contractor will not be eligible for compensation for such items in an amount that exceeds the purchase cost of such item.
 - c. Construction Equipment Rental
 - 1) Rentals of all construction equipment and machinery, and the parts thereof, in accordance with rental agreements approved by Owner as to price (including any surcharge or special rates applicable to overtime use of the construction equipment or machinery), and the costs of transportation, loading, unloading, assembly, dismantling, and removal thereof. All such costs will be in accordance with the terms of said rental agreements. The rental of any such equipment, machinery, or parts must cease when the use thereof is no longer necessary for the Work.
 - 2) Costs for equipment and machinery owned by Contractor or a Contractor-related entity will be paid at a rate shown for such equipment in the equipment rental rate book specified in the Supplementary Conditions. An hourly rate will be computed by dividing the monthly rates by 176. These computed rates will include all operating costs.
 - 3) With respect to Work that is the result of a Change Order, Change Proposal, Claim, set-off, or other adjustment in Contract Price ("changed Work"), included costs will be based on the time the equipment or machinery is in use on the changed Work and the costs of transportation, loading, unloading, assembly, dismantling, and removal when directly attributable to the changed Work. The cost of any such equipment or machinery, or parts thereof, must cease to accrue when the use thereof is no longer necessary for the changed Work.
 - d. Sales, consumer, use, and other similar taxes related to the Work, and for which Contractor is liable, as imposed by Laws and Regulations.
 - e. Deposits lost for causes other than negligence of Contractor, any Subcontractor, or anyone directly or indirectly employed by any of them or for whose acts any of them may be liable, and royalty payments and fees for permits and licenses.
 - f. Losses and damages (and related expenses) caused by damage to the Work, not compensated by insurance or otherwise, sustained by Contractor in connection with the performance of the Work (except losses and damages within the deductible amounts of builder's risk or other property insurance established in accordance with Paragraph 6.04), provided such losses and damages have resulted from causes other than the negligence of Contractor, any Subcontractor, or anyone directly or indirectly employed by any of them or for whose acts any of them may be liable. Such losses include settlements made with the written consent and approval of Owner. No such losses, damages, and expenses will be included in the Cost of the Work for the purpose of determining Contractor's fee.

- g. The cost of utilities, fuel, and sanitary facilities at the Site.
- h. Minor expenses such as communication service at the Site, express and courier services, and similar petty cash items in connection with the Work.
- i. The costs of premiums for all bonds and insurance that Contractor is required by the Contract Documents to purchase and maintain.

C. Costs Excluded

The term Cost of the Work does not include any of the following items:

- 1. Payroll costs and other compensation of Contractor's officers, executives, principals, general managers, engineers, architects, estimators, attorneys, auditors, accountants, purchasing and contracting agents, expeditors, timekeepers, clerks, and other personnel employed by Contractor, whether at the Site or in Contractor's principal or branch office for general administration of the Work and not specifically included in the agreed upon schedule of job classifications referred to in Paragraph 13.01.B.1 or specifically covered by Paragraph 13.01.B.4. The payroll costs and other compensation excluded here are to be considered administrative costs covered by the Contractor's fee.
- 2. The cost of purchasing, renting, or furnishing small tools and hand tools.
- 3. Expenses of Contractor's principal and branch offices other than Contractor's office at the Site.
- 4. Any part of Contractor's capital expenses, including interest on Contractor's capital employed for the Work and charges against Contractor for delinquent payments.
- 5. Costs due to the negligence of Contractor, any Subcontractor, or anyone directly or indirectly employed by any of them or for whose acts any of them may be liable, including but not limited to, the correction of defective Work, disposal of materials or equipment wrongly supplied, and making good any damage to property.
- 6. Expenses incurred in preparing and advancing Claims.
- 7. Other overhead or general expense costs of any kind and the costs of any item not specifically and expressly included in Paragraph 13.01.B.

D. Contractor's Fee

- 1. When the Work as a whole is performed on the basis of cost-plus-a-fee, then:
 - a. Contractor's fee for the Work set forth in the Contract Documents as of the Effective Date of the Contract will be determined as set forth in the Agreement.
 - b. For any Work covered by a Change Order, Change Proposal, Claim, set-off, or other adjustment in Contract Price on the basis of Cost of the Work, Contractor's fee will be determined as follows:
 - 1) When the fee for the Work as a whole is a percentage of the Cost of the Work, the fee will automatically adjust as the Cost of the Work changes.
 - 2) When the fee for the Work as a whole is a fixed fee, the fee for any additions or deletions will be determined in accordance with Paragraph 11.07.C.2.
- 2. When the Work as a whole is performed on the basis of a stipulated sum, or any other basis other than cost-plus-a-fee, then Contractor's fee for any Work covered by a Change Order, Change Proposal, Claim, set-off, or other adjustment in Contract Price on the basis of Cost of the Work will be determined in accordance with Paragraph 11.07.C.2.

E. Documentation and Audit

Whenever the Cost of the Work for any purpose is to be determined pursuant to this Article 13, Contractor and pertinent Subcontractors will establish and maintain records of the costs in accordance with generally accepted accounting practices. Subject to prior written notice, Owner will be afforded reasonable access, during normal business hours, to all Contractor's accounts, records, books, correspondence, instructions,

drawings, receipts, vouchers, memoranda, and similar data relating to the Cost of the Work and Contractor's fee. Contractor shall preserve all such documents for a period of three years after the final payment by Owner. Pertinent Subcontractors will afford such access to Owner, and preserve such documents, to the same extent required of Contractor.

13.02 Allowances

- A. It is understood that Contractor has included in the Contract Price all allowances so named in the Contract Documents and shall cause the Work so covered to be performed for such sums and by such persons or entities as may be acceptable to Owner and Engineer.
- B. Cash Allowances
Contractor agrees that:
 - 1. the cash allowances include the cost to Contractor (less any applicable trade discounts) of materials and equipment required by the allowances to be delivered at the Site, and all applicable taxes; and
 - 2. Contractor's costs for unloading and handling on the Site, labor, installation, overhead, profit, and other expenses contemplated for the cash allowances have been included in the Contract Price and not in the allowances, and no demand for additional payment for any of the foregoing will be valid.
- C. Owner's Contingency Allowance
Contractor agrees that an Owner's contingency allowance, if any, is for the sole use of Owner to cover unanticipated costs.
- D. Prior to final payment, an appropriate Change Order will be issued as recommended by Engineer to reflect actual amounts due Contractor for Work covered by allowances, and the Contract Price will be correspondingly adjusted.

13.03 Unit Price Work

- A. Where the Contract Documents provide that all or part of the Work is to be Unit Price Work, initially the Contract Price will be deemed to include for all Unit Price Work an amount equal to the sum of the unit price for each separately identified item of Unit Price Work times the estimated quantity of each item as indicated in the Agreement.
- B. The estimated quantities of items of Unit Price Work are not guaranteed and are solely for the purpose of comparison of Bids and determining an initial Contract Price. Payments to Contractor for Unit Price Work will be based on actual quantities.
- C. Each unit price will be deemed to include an amount considered by Contractor to be adequate to cover Contractor's overhead and profit for each separately identified item.
- D. Engineer will determine the actual quantities and classifications of Unit Price Work performed by Contractor. Engineer will review with Contractor the Engineer's preliminary determinations on such matters before rendering a written decision thereon (by recommendation of an Application for Payment or otherwise). Engineer's written decision thereon will be final and binding (except as modified by Engineer to reflect changed factual conditions or more accurate data) upon Owner and Contractor, and the final adjustment of Contract Price will be set forth in a Change Order, subject to the provisions of the following paragraph.
- E. Adjustments in Unit Price
 - 1. Contractor or Owner shall be entitled to an adjustment in the unit price with respect to an item of Unit Price Work if:
 - a. The quantity of the item of Unit Price Work performed by Contractor differs materially and significantly from the estimated quantity of such item indicated in the Agreement; and

- b. Contractor's unit costs to perform the item of Unit Price Work have changed materially and significantly as a result of the quantity change.
2. The adjustment in unit price will account for and be coordinated with any related changes in quantities of other items of Work, and in Contractor's costs to perform such other Work, such that the resulting overall change in Contract Price is equitable to Owner and Contractor.
3. Adjusted unit prices will apply to all units of that item.

**ARTICLE 14. Tests & Inspections; Correction, Removal, or
Acceptance of Defective Work**

14.01 Access to Work

- A. Owner, Engineer, their consultants and other representatives and personnel of Owner, independent testing laboratories, and authorities having jurisdiction have access to the Site and the Work at reasonable times for their observation, inspection, and testing. Contractor shall provide them proper and safe conditions for such access and advise them of Contractor's safety procedures and programs so that they may comply with such procedures and programs as applicable.

14.02 Tests, Inspections, and Approvals

- A. Contractor shall give Engineer timely notice of readiness of the Work (or specific parts thereof) for all required inspections and tests, and shall cooperate with inspection and testing personnel to facilitate required inspections and tests.
- B. Owner shall retain and pay for the services of an independent inspector, testing laboratory, or other qualified individual or entity to perform all inspections and tests expressly required by the Contract Documents to be furnished and paid for by Owner, except that costs incurred in connection with tests or inspections of covered Work will be governed by the provisions of Paragraph 14.05.
- C. If Laws or Regulations of any public body having jurisdiction require any Work (or part thereof) specifically to be inspected, tested, or approved by an employee or other representative of such public body, Contractor shall assume full responsibility for arranging and obtaining such inspections, tests, or approvals, pay all costs in connection therewith, and furnish Engineer the required certificates of inspection or approval.
- D. Contractor shall be responsible for arranging, obtaining, and paying for all inspections and tests required:
 1. By the Contract Documents, unless the Contract Documents expressly allocate responsibility for a specific inspection or test to Owner;
 2. To attain Owner's and Engineer's acceptance of materials or equipment to be incorporated in the Work;
 3. By manufacturers of equipment furnished under the Contract Documents;
 4. For testing, adjusting, and balancing of mechanical, electrical, and other equipment to be incorporated into the Work; and
 5. For acceptance of materials, mix designs, or equipment submitted for approval prior to Contractor's purchase thereof for incorporation in the Work.

Such inspections and tests will be performed by independent inspectors, testing laboratories, or other qualified individuals or entities acceptable to Owner and Engineer.

- E. If the Contract Documents require the Work (or part thereof) to be approved by Owner, Engineer, or another designated individual or entity, then Contractor shall assume full responsibility for arranging and obtaining such approvals.

- F. If any Work (or the work of others) that is to be inspected, tested, or approved is covered by Contractor without written concurrence of Engineer, Contractor shall, if requested by Engineer, uncover such Work for observation. Such uncovering will be at Contractor's expense unless Contractor had given Engineer timely notice of Contractor's intention to cover the same and Engineer had not acted with reasonable promptness in response to such notice.

14.03 Defective Work

- A. Contractor's Obligation
It is Contractor's obligation to assure that the Work is not defective.
- B. Engineer's Authority
Engineer has the authority to determine whether Work is defective, and to reject defective Work.
- C. Notice of Defects
Prompt written notice of all defective Work of which Owner or Engineer has actual knowledge will be given to Contractor.
- D. Correction, or Removal and Replacement
Promptly after receipt of written notice of defective Work, Contractor shall correct all such defective Work, whether or not fabricated, installed, or completed, or, if Engineer has rejected the defective Work, remove it from the Project and replace it with Work that is not defective.
- E. Preservation of Warranties
When correcting defective Work, Contractor shall take no action that would void or otherwise impair Owner's special warranty and guarantee, if any, on said Work.
- F. Costs and Damages
In addition to its correction, removal, and replacement obligations with respect to defective Work, Contractor shall pay all claims, costs, losses, and damages arising out of or relating to defective Work, including but not limited to the cost of the inspection, testing, correction, removal, replacement, or reconstruction of such defective Work, fines levied against Owner by governmental authorities because the Work is defective, and the costs of repair or replacement of work of others resulting from defective Work. Prior to final payment, if Owner and Contractor are unable to agree as to the measure of such claims, costs, losses, and damages resulting from defective Work, then Owner may impose a reasonable set-off against payments due under Article 15.

14.04 Acceptance of Defective Work

- A. If, instead of requiring correction or removal and replacement of defective Work, Owner prefers to accept it, Owner may do so (subject, if such acceptance occurs prior to final payment, to Engineer's confirmation that such acceptance is in general accord with the design intent and applicable engineering principles, and will not endanger public safety). Contractor shall pay all claims, costs, losses, and damages attributable to Owner's evaluation of and determination to accept such defective Work (such costs to be approved by Engineer as to reasonableness), and for the diminished value of the Work to the extent not otherwise paid by Contractor. If any such acceptance occurs prior to final payment, the necessary revisions in the Contract Documents with respect to the Work will be incorporated in a Change Order. If the parties are unable to agree as to the decrease in the Contract Price, reflecting the diminished value of Work so accepted, then Owner may impose a reasonable set-off against payments due under Article 15. If the acceptance of defective Work occurs after final payment, Contractor shall pay an appropriate amount to Owner.

14.05 Uncovering Work

- A. Engineer has the authority to require additional inspection or testing of the Work, whether or not the Work is fabricated, installed, or completed.

- B. If any Work is covered contrary to the written request of Engineer, then Contractor shall, if requested by Engineer, uncover such Work for Engineer's observation, and then replace the covering, all at Contractor's expense.
- C. If Engineer considers it necessary or advisable that covered Work be observed by Engineer or inspected or tested by others, then Contractor, at Engineer's request, shall uncover, expose, or otherwise make available for observation, inspection, or testing as Engineer may require, that portion of the Work in question, and provide all necessary labor, material, and equipment.
 - 1. If it is found that the uncovered Work is defective, Contractor shall be responsible for all claims, costs, losses, and damages arising out of or relating to such uncovering, exposure, observation, inspection, and testing, and of satisfactory replacement or reconstruction (including but not limited to all costs of repair or replacement of work of others); and pending Contractor's full discharge of this responsibility the Owner shall be entitled to impose a reasonable set-off against payments due under Article 15.
 - 2. If the uncovered Work is not found to be defective, Contractor shall be allowed an increase in the Contract Price or an extension of the Contract Times, directly attributable to such uncovering, exposure, observation, inspection, testing, replacement, and reconstruction. If the parties are unable to agree as to the amount or extent thereof, then Contractor may submit a Change Proposal within 30 days of the determination that the Work is not defective.

14.06 Owner May Stop the Work

- A. If the Work is defective, or Contractor fails to supply sufficient skilled workers or suitable materials or equipment, or fails to perform the Work in such a way that the completed Work will conform to the Contract Documents, then Owner may order Contractor to stop the Work, or any portion thereof, until the cause for such order has been eliminated; however, this right of Owner to stop the Work will not give rise to any duty on the part of Owner to exercise this right for the benefit of Contractor, any Subcontractor, any Supplier, any other individual or entity, or any surety for, or employee or agent of any of them.

14.07 Owner May Correct Defective Work

- A. If Contractor fails within a reasonable time after written notice from Engineer to correct defective Work, or to remove and replace defective Work as required by Engineer, then Owner may, after 7 days' written notice to Contractor, correct or remedy any such deficiency.
- B. In exercising the rights and remedies under this Paragraph 14.07, Owner shall proceed expeditiously. In connection with such corrective or remedial action, Owner may exclude Contractor from all or part of the Site, take possession of all or part of the Work and suspend Contractor's services related thereto, and incorporate in the Work all materials and equipment stored at the Site or for which Owner has paid Contractor but which are stored elsewhere. Contractor shall allow Owner, Owner's representatives, agents and employees, Owner's other contractors, and Engineer and Engineer's consultants access to the Site to enable Owner to exercise the rights and remedies under this paragraph.
- C. All claims, costs, losses, and damages incurred or sustained by Owner in exercising the rights and remedies under this Paragraph 14.07 will be charged against Contractor as set-offs against payments due under Article 15. Such claims, costs, losses and damages will include but not be limited to all costs of repair, or replacement of work of others destroyed or damaged by correction, removal, or replacement of Contractor's defective Work.
- D. Contractor shall not be allowed an extension of the Contract Times because of any delay in the performance of the Work attributable to the exercise by Owner of Owner's rights and remedies under this Paragraph 14.07.

ARTICLE 15. Payments to Contractor; Set-Offs; Completion; Correction Period

15.01 Progress Payments

A. Basis for Progress Payments

The Schedule of Values established as provided in Article 2 will serve as the basis for progress payments and will be incorporated into a form of Application for Payment acceptable to Engineer. Progress payments for Unit Price Work will be based on the number of units completed during the pay period, as determined under the provisions of Paragraph 13.03. Progress payments for cost-based Work will be based on Cost of the Work completed by Contractor during the pay period.

B. Applications for Payments

1. At least 20 days before the date established in the Agreement for each progress payment (but not more often than once a month), Contractor shall submit to Engineer for review an Application for Payment filled out and signed by Contractor covering the Work completed as of the date of the Application and accompanied by such supporting documentation as is required by the Contract Documents.
2. If payment is requested on the basis of materials and equipment not incorporated in the Work but delivered and suitably stored at the Site or at another location agreed to in writing, the Application for Payment must also be accompanied by: (a) a bill of sale, invoice, copies of subcontract or purchase order payments, or other documentation establishing full payment by Contractor for the materials and equipment; (b) at Owner's request, documentation warranting that Owner has received the materials and equipment free and clear of all Liens; and (c) evidence that the materials and equipment are covered by appropriate property insurance, a warehouse bond, or other arrangements to protect Owner's interest therein, all of which must be satisfactory to Owner.
3. Beginning with the second Application for Payment, each Application must include an affidavit of Contractor stating that all previous progress payments received by Contractor have been applied to discharge Contractor's legitimate obligations associated with prior Applications for Payment.
4. The amount of retainage with respect to progress payments will be as stipulated in the Agreement.

C. Review of Applications

1. Engineer will, within 10 days after receipt of each Application for Payment, including each resubmittal, either indicate in writing a recommendation of payment and present the Application to Owner, or return the Application to Contractor indicating in writing Engineer's reasons for refusing to recommend payment. In the latter case, Contractor may make the necessary corrections and resubmit the Application.
2. Engineer's recommendation of any payment requested in an Application for Payment will constitute a representation by Engineer to Owner, based on Engineer's observations of the executed Work as an experienced and qualified design professional, and on Engineer's review of the Application for Payment and the accompanying data and schedules, that to the best of Engineer's knowledge, information and belief:
 - a. The Work has progressed to the point indicated;
 - b. The quality of the Work is generally in accordance with the Contract Documents (subject to an evaluation of the Work as a functioning whole prior to or upon Substantial Completion, the results of any subsequent tests called for in the Contract Documents, a final determination of quantities and classifications for Unit Price Work under Paragraph 13.03, and any other qualifications stated in the recommendation); and
 - c. The conditions precedent to Contractor's being entitled to such payment appear to have been fulfilled in so far as it is Engineer's responsibility to observe the Work.
3. By recommending any such payment Engineer will not thereby be deemed to have represented that:

- a. Inspections made to check the quality or the quantity of the Work as it has been performed have been exhaustive, extended to every aspect of the Work in progress, or involved detailed inspections of the Work beyond the responsibilities specifically assigned to Engineer in the Contract; or
 - b. There may not be other matters or issues between the parties that might entitle Contractor to be paid additionally by Owner or entitle Owner to withhold payment to Contractor.
4. Neither Engineer's review of Contractor's Work for the purposes of recommending payments nor Engineer's recommendation of any payment, including final payment, will impose responsibility on Engineer:
- a. To supervise, direct, or control the Work;
 - b. For the means, methods, techniques, sequences, or procedures of construction, or the safety precautions and programs incident thereto;
 - c. For Contractor's failure to comply with Laws and Regulations applicable to Contractor's performance of the Work;
 - d. To make any examination to ascertain how or for what purposes Contractor has used the money paid by Owner; or
 - e. To determine that title to any of the Work, materials, or equipment has passed to Owner free and clear of any Liens.
5. Engineer may refuse to recommend the whole or any part of any payment if, in Engineer's opinion, it would be incorrect to make the representations to Owner stated in Paragraph 15.01.C.2.
6. Engineer will recommend reductions in payment (set-offs) necessary in Engineer's opinion to protect Owner from loss because:
- a. The Work is defective, requiring correction or replacement;
 - b. The Contract Price has been reduced by Change Orders;
 - c. Owner has been required to correct defective Work in accordance with Paragraph 14.07, or has accepted defective Work pursuant to Paragraph 14.04;
 - d. Owner has been required to remove or remediate a Hazardous Environmental Condition for which Contractor is responsible; or
 - e. Engineer has actual knowledge of the occurrence of any of the events that would constitute a default by Contractor and therefore justify termination for cause under the Contract Documents.

D. Payment Becomes Due

1. Ten days after presentation of the Application for Payment to Owner with Engineer's recommendation, the amount recommended (subject to any Owner set-offs) will become due, and when due will be paid by Owner to Contractor.

E. Reductions in Payment by Owner

1. In addition to any reductions in payment (set-offs) recommended by Engineer, Owner is entitled to impose a set-off against payment based on any of the following:
 - a. Claims have been made against Owner based on Contractor's conduct in the performance or furnishing of the Work, or Owner has incurred costs, losses, or damages resulting from Contractor's conduct in the performance or furnishing of the Work, including but not limited to claims, costs, losses, or damages from workplace injuries, adjacent property damage, non-compliance with Laws and Regulations, and patent infringement;
 - b. Contractor has failed to take reasonable and customary measures to avoid damage, delay, disruption, and interference with other work at or adjacent to the Site;

- c. Contractor has failed to provide and maintain required bonds or insurance;
 - d. Owner has been required to remove or remediate a Hazardous Environmental Condition for which Contractor is responsible;
 - e. Owner has incurred extra charges or engineering costs related to submittal reviews, evaluations of proposed substitutes, tests and inspections, or return visits to manufacturing or assembly facilities;
 - f. The Work is defective, requiring correction or replacement;
 - g. Owner has been required to correct defective Work in accordance with Paragraph 14.07, or has accepted defective Work pursuant to Paragraph 14.04;
 - h. The Contract Price has been reduced by Change Orders;
 - i. An event has occurred that would constitute a default by Contractor and therefore justify a termination for cause;
 - j. Liquidated or other damages have accrued as a result of Contractor's failure to achieve Milestones, Substantial Completion, or final completion of the Work;
 - k. Liens have been filed in connection with the Work, except where Contractor has delivered a specific bond satisfactory to Owner to secure the satisfaction and discharge of such Liens; or
 - l. Other items entitle Owner to a set-off against the amount recommended.
2. If Owner imposes any set-off against payment, whether based on its own knowledge or on the written recommendations of Engineer, Owner will give Contractor immediate written notice (with a copy to Engineer) stating the reasons for such action and the specific amount of the reduction, and promptly pay Contractor any amount remaining after deduction of the amount so withheld. Owner shall promptly pay Contractor the amount so withheld, or any adjustment thereto agreed to by Owner and Contractor, if Contractor remedies the reasons for such action. The reduction imposed will be binding on Contractor unless it duly submits a Change Proposal contesting the reduction.
 3. Upon a subsequent determination that Owner's refusal of payment was not justified, the amount wrongfully withheld will be treated as an amount due as determined by Paragraph 15.01.D.1 and subject to interest as provided in the Agreement.

15.02 Contractor's Warranty of Title

- A. Contractor warrants and guarantees that title to all Work, materials, and equipment furnished under the Contract will pass to Owner free and clear of (1) all Liens and other title defects, and (2) all patent, licensing, copyright, or royalty obligations, no later than 7 days after the time of payment by Owner.

15.03 Substantial Completion

- A. When Contractor considers the entire Work ready for its intended use Contractor shall notify Owner and Engineer in writing that the entire Work is substantially complete and request that Engineer issue a certificate of Substantial Completion. Contractor shall at the same time submit to Owner and Engineer an initial draft of punch list items to be completed or corrected before final payment.
- B. Promptly after Contractor's notification, Owner, Contractor, and Engineer shall make an inspection of the Work to determine the status of completion. If Engineer does not consider the Work substantially complete, Engineer will notify Contractor in writing giving the reasons therefor.
- C. If Engineer considers the Work substantially complete, Engineer will deliver to Owner a preliminary certificate of Substantial Completion which will fix the date of Substantial Completion. Engineer shall attach to the certificate a punch list of items to be completed or corrected before final payment. Owner shall have 7 days after receipt of the preliminary certificate during which to make written objection to Engineer as to any provisions of the certificate or attached punch list. If, after considering the objections

to the provisions of the preliminary certificate, Engineer concludes that the Work is not substantially complete, Engineer will, within 14 days after submission of the preliminary certificate to Owner, notify Contractor in writing that the Work is not substantially complete, stating the reasons therefor. If Owner does not object to the provisions of the certificate, or if despite consideration of Owner's objections Engineer concludes that the Work is substantially complete, then Engineer will, within said 14 days, execute and deliver to Owner and Contractor a final certificate of Substantial Completion (with a revised punch list of items to be completed or corrected) reflecting such changes from the preliminary certificate as Engineer believes justified after consideration of any objections from Owner.

- D. At the time of receipt of the preliminary certificate of Substantial Completion, Owner and Contractor will confer regarding Owner's use or occupancy of the Work following Substantial Completion, review the builder's risk insurance policy with respect to the end of the builder's risk coverage, and confirm the transition to coverage of the Work under a permanent property insurance policy held by Owner. Unless Owner and Contractor agree otherwise in writing, Owner shall bear responsibility for security, operation, protection of the Work, property insurance, maintenance, heat, and utilities upon Owner's use or occupancy of the Work.
- E. After Substantial Completion the Contractor shall promptly begin work on the punch list of items to be completed or corrected prior to final payment. In appropriate cases Contractor may submit monthly Applications for Payment for completed punch list items, following the progress payment procedures set forth above.
- F. Owner shall have the right to exclude Contractor from the Site after the date of Substantial Completion subject to allowing Contractor reasonable access to remove its property and complete or correct items on the punch list.

15.04 Partial Use or Occupancy

- A. Prior to Substantial Completion of all the Work, Owner may use or occupy any substantially completed part of the Work which has specifically been identified in the Contract Documents, or which Owner, Engineer, and Contractor agree constitutes a separately functioning and usable part of the Work that can be used by Owner for its intended purpose without significant interference with Contractor's performance of the remainder of the Work, subject to the following conditions:
 - 1. At any time, Owner may request in writing that Contractor permit Owner to use or occupy any such part of the Work that Owner believes to be substantially complete. If and when Contractor agrees that such part of the Work is substantially complete, Contractor, Owner, and Engineer will follow the procedures of Paragraph 15.03.A through 15.03.E for that part of the Work.
 - 2. At any time, Contractor may notify Owner and Engineer in writing that Contractor considers any such part of the Work substantially complete and request Engineer to issue a certificate of Substantial Completion for that part of the Work.
 - 3. Within a reasonable time after either such request, Owner, Contractor, and Engineer shall make an inspection of that part of the Work to determine its status of completion. If Engineer does not consider that part of the Work to be substantially complete, Engineer will notify Owner and Contractor in writing giving the reasons therefor. If Engineer considers that part of the Work to be substantially complete, the provisions of Paragraph 15.03 will apply with respect to certification of Substantial Completion of that part of the Work and the division of responsibility in respect thereof and access thereto.
 - 4. No use or occupancy or separate operation of part of the Work may occur prior to compliance with the requirements of Paragraph 6.04 regarding builder's risk or other property insurance.

15.05 Final Inspection

- A. Upon written notice from Contractor that the entire Work or an agreed portion thereof is complete, Engineer will promptly make a final inspection with Owner and Contractor and will notify Contractor in writing of all particulars in which this inspection reveals that the Work, or agreed portion thereof, is incomplete or defective. Contractor shall immediately take such measures as are necessary to complete such Work or remedy such deficiencies.

15.06 Final Payment

A. Application for Payment

1. After Contractor has, in the opinion of Engineer, satisfactorily completed all corrections identified during the final inspection and has delivered, in accordance with the Contract Documents, all maintenance and operating instructions, schedules, guarantees, bonds, certificates or other evidence of insurance, certificates of inspection, annotated record documents (as provided in Paragraph 7.12), and other documents, Contractor may make application for final payment.
2. The final Application for Payment must be accompanied (except as previously delivered) by:
 - a. All documentation called for in the Contract Documents;
 - b. Consent of the surety, if any, to final payment;
 - c. Satisfactory evidence that all title issues have been resolved such that title to all Work, materials, and equipment has passed to Owner free and clear of any Liens or other title defects, or will so pass upon final payment.
 - d. A list of all duly pending Change Proposals and Claims; and
 - e. Complete and legally effective releases or waivers (satisfactory to Owner) of all Lien rights arising out of the Work, and of Liens filed in connection with the Work.
3. In lieu of the releases or waivers of Liens specified in Paragraph 15.06.A.2 and as approved by Owner, Contractor may furnish receipts or releases in full and an affidavit of Contractor that: (a) the releases and receipts include all labor, services, material, and equipment for which a Lien could be filed; and (b) all payrolls, material and equipment bills, and other indebtedness connected with the Work for which Owner might in any way be responsible, or which might in any way result in liens or other burdens on Owner's property, have been paid or otherwise satisfied. If any Subcontractor or Supplier fails to furnish such a release or receipt in full, Contractor may furnish a bond or other collateral satisfactory to Owner to indemnify Owner against any Lien, or Owner at its option may issue joint checks payable to Contractor and specified Subcontractors and Suppliers.

B. Engineer's Review of Final Application and Recommendation of Payment

If, on the basis of Engineer's observation of the Work during construction and final inspection, and Engineer's review of the final Application for Payment and accompanying documentation as required by the Contract Documents, Engineer is satisfied that the Work has been completed and Contractor's other obligations under the Contract have been fulfilled, Engineer will, within 10 days after receipt of the final Application for Payment, indicate in writing Engineer's recommendation of final payment and present the final Application for Payment to Owner for payment. Such recommendation will account for any set-offs against payment that are necessary in Engineer's opinion to protect Owner from loss for the reasons stated above with respect to progress payments. Otherwise, Engineer will return the Application for Payment to Contractor, indicating in writing the reasons for refusing to recommend final payment, in which case Contractor shall make the necessary corrections and resubmit the Application for Payment.

C. Notice of Acceptability

In support of its recommendation of payment of the final Application for Payment, Engineer will also give written notice to Owner and Contractor that the Work is acceptable, subject to stated limitations in the notice and to the provisions of Paragraph 15.07.

D. Completion of Work

The Work is complete (subject to surviving obligations) when it is ready for final payment as established by the Engineer's written recommendation of final payment and issuance of notice of the acceptability of the Work.

E. Final Payment Becomes Due

Upon receipt from Engineer of the final Application for Payment and accompanying documentation, Owner shall set off against the amount recommended by Engineer for final payment any further sum to which Owner is entitled, including but not limited to set-offs for liquidated damages and set-offs allowed under the provisions of this Contract with respect to progress payments. Owner shall pay the resulting balance due to Contractor within 30 days of Owner's receipt of the final Application for Payment from Engineer.

15.07 Waiver of Claims

- A. By making final payment, Owner waives its claim or right to liquidated damages or other damages for late completion by Contractor, except as set forth in an outstanding Claim, appeal under the provisions of Article 17, set-off, or express reservation of rights by Owner. Owner reserves all other claims or rights after final payment.
- B. The acceptance of final payment by Contractor will constitute a waiver by Contractor of all claims and rights against Owner other than those pending matters that have been duly submitted as a Claim, or appealed under the provisions of Article 17.

15.08 Correction Period

- A. If within one year after the date of Substantial Completion (or such longer period of time as may be prescribed by the Supplementary Conditions or the terms of any applicable special guarantee required by the Contract Documents), Owner gives Contractor written notice that any Work has been found to be defective, or that Contractor's repair of any damages to the Site or adjacent areas has been found to be defective, then after receipt of such notice of defect Contractor shall promptly, without cost to Owner and in accordance with Owner's written instructions:
 - 1. Correct the defective repairs to the Site or such adjacent areas;
 - 2. Correct such defective Work;
 - 3. Remove the defective Work from the Project and replace it with Work that is not defective, if the defective Work has been rejected by Owner, and
 - 4. Satisfactorily correct or repair or remove and replace any damage to other Work, to the work of others, or to other land or areas resulting from the corrective measures.
- B. Owner shall give any such notice of defect within 60 days of the discovery that such Work or repairs is defective. If such notice is given within such 60 days but after the end of the correction period, the notice will be deemed a notice of defective Work under Paragraph 7.17.B.
- C. If, after receipt of a notice of defect within 60 days and within the correction period, Contractor does not promptly comply with the terms of Owner's written instructions, or in an emergency where delay would cause serious risk of loss or damage, Owner may have the defective Work corrected or repaired or may have the rejected Work removed and replaced. Contractor shall pay all costs, losses, and damages (including but not limited to all fees and charges of engineers, architects, attorneys, and other professionals and all court or arbitration or other dispute resolution costs) arising out of or relating to such correction or repair or such removal and replacement (including but not limited to all costs of repair or replacement of work of others). Contractor's failure to pay such costs, losses, and damages within 10 days of invoice from Owner will be deemed the start of an event giving rise to a Claim under Paragraph 12.01.B, such that any related Claim must be brought within 30 days of the failure to pay.

- D. In special circumstances where a particular item of equipment is placed in continuous service before Substantial Completion of all the Work, the correction period for that item may start to run from an earlier date if so provided in the Specifications.
- E. Where defective Work (and damage to other Work resulting therefrom) has been corrected or removed and replaced under this paragraph, the correction period hereunder with respect to such Work will be extended for an additional period of one year after such correction or removal and replacement has been satisfactorily completed.
- F. Contractor's obligations under this paragraph are in addition to all other obligations and warranties. The provisions of this paragraph are not to be construed as a substitute for, or a waiver of, the provisions of any applicable statute of limitation or repose.

ARTICLE 16. Suspension of Work and Termination

16.01 Owner May Suspend Work

- A. At any time and without cause, Owner may suspend the Work or any portion thereof for a period of not more than 90 consecutive days by written notice to Contractor and Engineer. Such notice will fix the date on which Work will be resumed. Contractor shall resume the Work on the date so fixed. Contractor shall be entitled to an adjustment in the Contract Price or an extension of the Contract Times directly attributable to any such suspension. Any Change Proposal seeking such adjustments must be submitted no later than 30 days after the date fixed for resumption of Work.

16.02 Owner May Terminate for Cause

- A. The occurrence of any one or more of the following events will constitute a default by Contractor and justify termination for cause:
 1. Contractor's persistent failure to perform the Work in accordance with the Contract Documents (including, but not limited to, failure to supply sufficient skilled workers or suitable materials or equipment, or failure to adhere to the Progress Schedule);
 2. Failure of Contractor to perform or otherwise to comply with a material term of the Contract Documents;
 3. Contractor's disregard of Laws or Regulations of any public body having jurisdiction; or
 4. Contractor's repeated disregard of the authority of Owner or Engineer.
- B. If one or more of the events identified in Paragraph 16.02.A occurs, then after giving Contractor (and any surety) 10 days' written notice that Owner is considering a declaration that Contractor is in default and termination of the Contract, Owner may proceed to:
 1. Declare Contractor to be in default, and give Contractor (and any surety) written notice that the Contract is terminated; and
 2. Enforce the rights available to Owner under any applicable performance bond.
- C. Subject to the terms and operation of any applicable performance bond, if Owner has terminated the Contract for cause, Owner may exclude Contractor from the Site, take possession of the Work, incorporate in the Work all materials and equipment stored at the Site or for which Owner has paid Contractor but which are stored elsewhere, and complete the Work as Owner may deem expedient.
- D. Owner may not proceed with termination of the Contract under Paragraph 16.02.B if Contractor within 7 days of receipt of notice of intent to terminate begins to correct its failure to perform and proceeds diligently to cure such failure.
- E. If Owner proceeds as provided in Paragraph 16.02.B, Contractor shall not be entitled to receive any further payment until the Work is completed. If the unpaid balance of the Contract Price exceeds the cost

to complete the Work, including all related claims, costs, losses, and damages (including but not limited to all fees and charges of engineers, architects, attorneys, and other professionals) sustained by Owner, such excess will be paid to Contractor. If the cost to complete the Work including such related claims, costs, losses, and damages exceeds such unpaid balance, Contractor shall pay the difference to Owner. Such claims, costs, losses, and damages incurred by Owner will be reviewed by Engineer as to their reasonableness and, when so approved by Engineer, incorporated in a Change Order. When exercising any rights or remedies under this paragraph, Owner shall not be required to obtain the lowest price for the Work performed.

- F. Where Contractor's services have been so terminated by Owner, the termination will not affect any rights or remedies of Owner against Contractor then existing or which may thereafter accrue, or any rights or remedies of Owner against Contractor or any surety under any payment bond or performance bond. Any retention or payment of money due Contractor by Owner will not release Contractor from liability.
- G. If and to the extent that Contractor has provided a performance bond under the provisions of Paragraph 6.01.A, the provisions of that bond will govern over any inconsistent provisions of Paragraphs 16.02.B and 16.02.D.

16.03 Owner May Terminate for Convenience

- A. Upon 7 days' written notice to Contractor and Engineer, Owner may, without cause and without prejudice to any other right or remedy of Owner, terminate the Contract. In such case, Contractor shall be paid for (without duplication of any items):
 - 1. Completed and acceptable Work executed in accordance with the Contract Documents prior to the effective date of termination, including fair and reasonable sums for overhead and profit on such Work;
 - 2. Expenses sustained prior to the effective date of termination in performing services and furnishing labor, materials, or equipment as required by the Contract Documents in connection with uncompleted Work, plus fair and reasonable sums for overhead and profit on such expenses; and
 - 3. Other reasonable expenses directly attributable to termination, including costs incurred to prepare a termination for convenience cost proposal.
- B. Contractor shall not be paid for any loss of anticipated profits or revenue, post-termination overhead costs, or other economic loss arising out of or resulting from such termination.

16.04 Contractor May Stop Work or Terminate

- A. If, through no act or fault of Contractor, (1) the Work is suspended for more than 90 consecutive days by Owner or under an order of court or other public authority, or (2) Engineer fails to act on any Application for Payment within 30 days after it is submitted, or (3) Owner fails for 30 days to pay Contractor any sum finally determined to be due, then Contractor may, upon 7 days' written notice to Owner and Engineer, and provided Owner or Engineer do not remedy such suspension or failure within that time, terminate the contract and recover from Owner payment on the same terms as provided in Paragraph 16.03.
- B. In lieu of terminating the Contract and without prejudice to any other right or remedy, if Engineer has failed to act on an Application for Payment within 30 days after it is submitted, or Owner has failed for 30 days to pay Contractor any sum finally determined to be due, Contractor may, 7 days after written notice to Owner and Engineer, stop the Work until payment is made of all such amounts due Contractor, including interest thereon. The provisions of this paragraph are not intended to preclude Contractor from submitting a Change Proposal for an adjustment in Contract Price or Contract Times or otherwise for expenses or damage directly attributable to Contractor's stopping the Work as permitted by this paragraph.

ARTICLE 17. Final Resolution of Disputes

17.01 Methods and Procedures

- A. Disputes Subject to Final Resolution: The following disputed matters are subject to final resolution under the provisions of this article:
 - 1. A timely appeal of an approval in part and denial in part of a Claim, or of a denial in full, pursuant to Article 12; and
 - 2. Disputes between Owner and Contractor concerning the Work, or obligations under the Contract Documents, that arise after final payment has been made.
- B. Final Resolution of Disputes: For any dispute subject to resolution under this article, Owner or Contractor may:
 - 1. Elect in writing to invoke the dispute resolution process provided for in the Supplementary Conditions;
 - 2. Agree with the other party to submit the dispute to another dispute resolution process; or
 - 3. If no dispute resolution process is provided for in the Supplementary Conditions or mutually agreed to, give written notice to the other party of the intent to submit the dispute to a court of competent jurisdiction.

ARTICLE 18. Miscellaneous

18.01 Giving Notice

- A. Whenever any provision of the Contract requires the giving of written notice to Owner, Engineer, or Contractor, it will be deemed to have been validly given only if delivered:
 - 1. In person, by a commercial courier service or otherwise, to the recipient's place of business;
 - 2. By registered or certified mail, postage prepaid, to the recipient's place of business; or
 - 3. By e-mail to the recipient, with the words "Formal Notice" or similar in the e-mail's subject line.

18.02 Computation of Times

- A. When any period of time is referred to in the Contract by days, it will be computed to exclude the first and include the last day of such period. If the last day of any such period falls on a Saturday or Sunday or on a day made a legal holiday by the law of the applicable jurisdiction, such day will be omitted from the computation.

18.03 Cumulative Remedies

- A. The duties and obligations imposed by these General Conditions and the rights and remedies available hereunder to the parties hereto are in addition to, and are not to be construed in any way as a limitation of, any rights and remedies available to any or all of them which are otherwise imposed or available by Laws or Regulations, by special warranty or guarantee, or by other provisions of the Contract. The provisions of this paragraph will be as effective as if repeated specifically in the Contract Documents in connection with each particular duty, obligation, right, and remedy to which they apply.

18.04 Limitation of Damages

- A. With respect to any and all Change Proposals, Claims, disputes subject to final resolution, and other matters at issue, neither Owner nor Engineer, nor any of their officers, directors, members, partners, employees, agents, consultants, or subcontractors, shall be liable to Contractor for any claims, costs, losses, or damages sustained by Contractor on or in connection with any other project or anticipated project.

18.05 No Waiver

- A. A party's non-enforcement of any provision will not constitute a waiver of that provision, nor will it affect the enforceability of that provision or of the remainder of this Contract.

18.06 Survival of Obligations

- A. All representations, indemnifications, warranties, and guarantees made in, required by, or given in accordance with the Contract, as well as all continuing obligations indicated in the Contract, will survive final payment, completion, and acceptance of the Work or termination of the Contract or of the services of Contractor.

18.07 Controlling Law

- A. This Contract is to be governed by the law of the state in which the Project is located.

18.08 Assignment of Contract

- A. Unless expressly agreed to elsewhere in the Contract, no assignment by a party to this Contract of any rights under or interests in the Contract will be binding on the other party without the written consent of the party sought to be bound; and, specifically but without limitation, money that may become due and money that is due may not be assigned without such consent (except to the extent that the effect of this restriction may be limited by law), and unless specifically stated to the contrary in any written consent to an assignment, no assignment will release or discharge the assignor from any duty or responsibility under the Contract.

18.09 Successors and Assigns

- A. Owner and Contractor each binds itself, its successors, assigns, and legal representatives to the other party hereto, its successors, assigns, and legal representatives in respect to all covenants, agreements, and obligations contained in the Contract Documents.

18.10 Headings

- A. Article and paragraph headings are inserted for convenience only and do not constitute parts of these General Conditions.



NOTICE OF AWARD

Date of Issuance: _____
 Owner: City of Aztec Owner’s Project No.: ITB 2025-861
 Engineer: _____ Engineer’s Project No.: _____
 Project: Hartman Park Field Lighting
 Contract Name: ITB 2025-861 Hartman Park Field Lighting
 Bidder: _____
 Bidder’s Address: _____

You are notified that Owner has accepted your Bid dated January 16, 2025 for the above Contract, and that you are the Successful Bidder and are awarded a Contract for:

Hartman Park Field Lighting

The Contract Price of the awarded Contract is \$ XXX.XX plus NMGRT. Contract Price is subject to adjustment based on the provisions of the Contract, including but not limited to those governing changes, Unit Price Work, and Work performed on a cost-plus-fee basis, as applicable.

One unexecuted Construction Agreement accompanies this Notice of Award, or has been transmitted or made available to Bidder electronically.

Drawings will be delivered separately from the other Contract Documents.

You must comply with the following conditions precedent within 15 days of the date of receipt of this Notice of Award:

1. Deliver to Owner the Construction Agreement, signed by Bidder (as Contractor).
2. Deliver with the signed Agreement(s) the Contract security (such as required performance and payment bonds) and insurance documentation, as specified in the Instructions to Bidders and in the General Conditions, Articles 2 and 6.
3. Other conditions precedent (if any): N/A

Failure to comply with these conditions within the time specified will entitle Owner to consider you in default, annul this Notice of Award, and declare your Bid security forfeited. Within 10 days after you comply with the above conditions, Owner will return to you one fully signed counterpart of the Agreement, together with any additional copies of the Contract Documents as indicated in Paragraph 2.02 of the General Conditions.

Owner: City of Aztec
 By (signature): _____
 Name (printed): Jennie Achée
 Title: Finance Director

Copy: John Wheeler, City of Aztec Electric Director
 Ruben Salcido, City of Aztec Public Works Director
 Jeric Jaramillo, City of Aztec Project Manager



CONSTRUCTION AGREEMENT

This Contract is by and between the **CITY OF AZTEC** (Owner) and _____ (Contractor).

Owner and Contractor hereby agree as follows:

ARTICLE 1. The Work

1.01 Work

- A. Work includes all labor, materials, equipment, services, and documentation necessary to construct the Project defined herein. The Work may include related services such as testing, start-up, and commissioning, all as required by the Contract Documents.
- B. The Contractor shall complete all Work as specified or indicated in the Contract Documents. The Project is generally described as follows:

will include paving an existing gravel roadway, curb and gutter, drainage swales, staked retaining wall, concrete sidewalk, paved multi-modal trail, and fencing.

ARTICLE 2. Contract Documents

2.01 Intent of Contract Documents

- A. It is the intent of the Contract Documents to describe a functionally complete project. The Contract Documents do not indicate or describe all of the Work required to complete the Project. Additional details required for the correct installation of selected products are to be provided by the Contractor and coordinated with the Owner and Engineer. This Contract supersedes prior negotiations, representations, and agreements, whether written or oral. The Contract Documents are complementary; what is required by one part of the Contract Documents is as binding as if required by other parts of the Contract Documents. During the performance of the Work and until final payment, Contractor and Owner shall submit all matters in question concerning the requirements of the Contract Documents, or relating to the acceptability of the Work under the Contract Documents to the Engineer. Engineer will be the initial interpreter of the requirements of the Contract Documents, and judge of the acceptability of the Work thereunder.
- B. Engineer will render a written clarification, interpretation, or decision on the issue submitted, or initiate a modification to the Contract Documents.
- C. Contractor, and its subcontractors and suppliers, shall not have or acquire any title to or ownership rights to any of the Drawings, Specifications, or other documents (including copies or electronic media editions) prepared by Engineer or its consultants.

2.02 Contract Documents Defined

- A. The Contract Documents consist of the following documents:
 - 1. This Contract and its General Conditions.

2. Performance bond.
3. Payment bond.
4. Bid Documents
5. Addenda.
6. Design Packages (Plans, Drawings, Special Provisions and Supplemental Specifications)
7. The following which may be delivered or issued on or after the Effective Date of the Contract:
 - a. Work Change Directives.
 - b. Change Orders.
 - c. Field Orders.

ARTICLE 3. Engineer

3.01 Engineer

- A. The Engineer for this Project is _____.

ARTICLE 4. Contract Times

4.01 Contract Times

A. The bidder agrees the Hartman Park Field Lighting will be substantially completed within ____ calendar days from the Notice to Proceed and completed and ready for final payment 14 days after substantial completion.

4.02 Liquidated Damages

- A. Contractor and Owner recognize that time is of the essence in the performance of the Contract, and that Owner will incur damages if Contractor does not complete the Work according to the requirements of Paragraph 4.01. Because such damages for delay would be difficult and costly to determine, Owner and Contractor agree that as liquidated damages for delay (but not as a penalty) Contractor shall pay Owner \$500 for each day that expires after the Contract Time for substantial completion.

4.03 Delays in Contractor's Progress

- A. If Owner, Engineer, or anyone for whom Owner is responsible, delays, disrupts, or interferes with the performance or progress of the Work, then Contractor shall be entitled to an equitable adjustment in the Contract Times and Contract Price. Contractor's entitlement to an adjustment of the Contract Times is conditioned on such adjustment being essential to Contractor's ability to complete the Work within the Contract Times.
- B. Contractor shall not be entitled to an adjustment in Contract Price or Contract Times for delay, disruption, or interference caused by or within the control of Contractor or their subcontractors or suppliers.
- C. If Contractor's performance or progress is delayed, disrupted, or interfered with by unanticipated causes not the fault of and beyond the control of Owner, Contractor, and those for which they are responsible, then Contractor shall be entitled to an equitable adjustment in Contract Times.

- D. Contractor shall not be entitled to an adjustment in Contract Price or Contract Times for any delay, disruption, or interference if such delay is concurrent with a delay, disruption, or interference caused by or within the control of Contractor or Contractor's subcontractors or suppliers.

4.04 Progress Schedules

- A. Contractor shall develop a progress schedule and submit to the Engineer for review and comment before starting Work on the Site. The Contractor shall modify the schedule in accordance with the comments provided by the Engineer.
- B. The Contractor shall update and submit the progress schedule to the Engineer each month. The Owner may withhold payment if the Contractor fails to submit the schedule.

ARTICLE 5. Contract Price

5.01 Payment

- A. Owner shall pay Contractor in accordance with the Contract Documents, the lump sum amount of \$ _____ plus NMGRT for all Work.

ARTICLE 6. Bonds and Insurance

6.01 Bonds

- A. Before starting Work, Contractor shall furnish a performance bond and a payment bond from surety companies that are duly licensed or authorized to issue bonds in the required amounts in the jurisdiction in which the Project is located. Each bond shall be in an amount equal to the Contract Price, as security for the faithful performance and payment of all of Contractor's obligations under the Contract. These bonds shall remain in effect until the completion of the correction period specified in Paragraph 7.12 but, in any case, not less than one year after the date when final payment becomes due.

6.02 Insurance

- A. Before starting Work, Contractor shall furnish evidence of insurance from companies that are duly licensed or authorized in the jurisdiction in which the Project is located with a minimum am Best rating of A-VII or better. Contractor shall provide insurance in accordance with the following:
1. Contractor shall provide coverage for not less than the following amounts, or greater where required by Laws and Regulations:
 - General Liability - \$1,000,000 CSL (Combined Single Limits)
 - Auto Liability - \$1,000,000 CSL (Combined Single Limits)
 - Workers Compensation – Statutory limits pursuant to the New Mexico Workers Compensation Act.
- B. All insurance policies required to be purchased and maintained will contain a provision or endorsement that the coverage afforded will not be canceled or materially changed or renewal refused until at least 10 days prior written notice has been given to the insured and additional insured.

- C. Automobile liability insurance provided by Contractor shall provide coverage against claims for damages because of bodily injury or death of any person or property damage arising out of the ownership, maintenance, or use of any motor vehicle. The automobile liability policy shall be written on an occurrence basis.
- D. Contractor's commercial general liability policy shall be written on a 1996 or later ISO commercial general liability occurrence form and include the following coverages and endorsements:
 - 1. Products and completed operations coverage maintained for three years after final payment;
 - 2. Blanket contractual liability coverage to the extent permitted by law;
 - 3. Broad form property damage coverage; and
 - 4. Severability of interest; underground, explosion, and collapse coverage; personal injury coverage.
- E. The Contractor's commercial general liability and automobile liability, umbrella or excess, and pollution liability policies shall include and list Owner and Engineer and the respective officers, directors, members, partners, employees, agents, consultants, and subcontractors of each as additional insureds; and the insurance afforded to these additional insureds shall provide primary coverage for all claims covered thereby (including as applicable those arising from both ongoing and completed operations) on a non-contributory basis.
 - 1. Additional insured endorsements will include both ongoing operations and products and completed operations coverage through ISO Endorsements CG 20 10 10 01 and CG 20 37 10 01 (together). If Contractor demonstrates to Owner that the specified ISO endorsements are not commercially available, then Contractor may satisfy this requirement by providing equivalent endorsements.
 - 2. Contractor shall provide ISO Endorsement CG 20 32 07 04, "Additional Insured - Engineers, Architects or Surveyors Not Engaged by the Named Insured" or its equivalent for design professional additional insureds.
- F. Umbrella or excess liability insurance shall be written over the underlying employer's liability, commercial general liability, and automobile liability insurance. Subject to industry-standard exclusions, the coverage afforded shall be procured on a "follow the form" basis as to each of the underlying policies. Contractor may demonstrate to Owner that Contractor has met the combined limits of insurance (underlying policy plus applicable umbrella) specified for employer's liability, commercial general liability, and automobile liability through the primary policies alone, or through combinations of the primary insurance policies and an umbrella or excess liability policy.
- G. The Contractor shall provide property insurance covering physical loss or damage during construction to structures, materials, fixtures, and equipment, including those materials, fixtures, or equipment in storage or transit.
- H. If Contractor has failed to obtain and maintain required insurance, Owner may exclude the Contractor from the Site, impose an appropriate set-off against payment, and exercise Owner's termination rights under Article 15.

ARTICLE 7. Contractor's Responsibilities

7.01 Supervision and Superintendence

- A. Contractor shall supervise and direct the Work competently and efficiently, devoting such attention thereto and applying such skills and expertise as may be necessary to perform the Work in accordance with the Contract Documents. Contractor shall be solely responsible for the means, methods, techniques, sequences, safety, and procedures of construction.
- B. Contractor shall assign a competent resident superintendent who is to be present at all times during the execution of the Work. This resident superintendent shall not be replaced without written notice to and approval by the Owner and Engineer except under extraordinary circumstances.
- C. Contractor shall at all times maintain good discipline and order at the Site.
- D. Except as otherwise required for the safety or protection of persons or the Work or property at the Site or adjacent thereto, and except as otherwise stated in the Contract Documents, all Work at the Site shall be performed during regular working hours, Monday through Friday.

7.02 Other Work at the Site

- A. In addition to and apart from the Work of the Contractor, other work may occur at or adjacent to the Site. Contractor shall take reasonable and customary measures to avoid damaging, delaying, disrupting, or interfering with the work of Owner, any other contractor, or any utility owner performing other work at or adjacent to the Site.

7.03 Services, Materials, and Equipment

- A. Unless otherwise specified in the Contract Documents, Contractor shall provide and assume full responsibility for all services, materials, equipment, labor, transportation, construction equipment and machinery, tools, appliances, fuel, power, light, heat, telephone, water, sanitary facilities, temporary facilities, and all other facilities and incidentals necessary for the performance, testing, start up, and completion of the Work, whether or not such items are specifically called for in the Contract Documents.
- B. All materials and equipment incorporated into the Work shall be new, of good quality and shall be stored, applied, installed, connected, erected, protected, used, cleaned, and conditioned in accordance with instructions of the applicable supplier, except as otherwise may be provided in the Contract Documents.

7.04 Subcontractors and Suppliers

- A. Contractor may retain subcontractors and suppliers for the performance of parts of the Work. Such subcontractors and suppliers must be acceptable to Owner.

1.05 Quality Management

- A. Contractor is fully responsible for the managing quality to ensure Work is completed in accordance with the Contract Documents.

7.06 Licenses, Fees and Permits

- A. Contractor shall pay all license fees and royalties and assume all costs incident to performing the Work or the incorporation in the Work of any invention, design, process, product, or device which is the subject of patent rights or copyrights held by others.
- B. Contractor shall obtain and pay for all construction permits and licenses unless otherwise provided in the Contract Documents.

7.07 Laws and Regulations; Taxes

- A. Contractor shall give all notices required by and shall comply with all local, state, and federal Laws and Regulations applicable to the performance of the Work. Except where otherwise expressly required by applicable Laws and Regulations, neither Owner nor Engineer shall be responsible for monitoring Contractor's compliance with any Laws or Regulations.
- B. Contractor shall bear all resulting costs and losses, and shall indemnify and hold harmless Owner and Engineer, and the officers, directors, members, partners, employees, agents, consultants, and subcontractors of each and any of them from and against all claims, costs, losses, and damages if Contractor performs any Work or takes any other action knowing or having reason to know that it is contrary to Laws or Regulations.
- C. Contractor shall pay all applicable sales, consumer, use, and other similar taxes Contractor is required to pay in accordance with Laws and Regulations.

7.08 Record Documents

- A. Contractor shall maintain one printed record copy of all Drawings, Specifications, Addenda, Change Orders, Work Change Directives, Field Orders, written interpretations and clarifications, and approved shop drawings in a safe place at the Site. Contractor shall annotate them to show changes made during construction. Contractor shall deliver these record documents to Engineer upon completion of the Work.

7.09 Safety and Protection

- A. Contractor shall be solely responsible for initiating, maintaining, and supervising all safety precautions and programs in connection with the Work.
- B. Contractor shall take all necessary precautions for the safety of, and shall provide the necessary protection to prevent damage, injury, or loss to:
 - 1. All persons on the Site or who may be affected by the Work;
 - 2. All the Work and materials and equipment to be incorporated therein, whether in storage on or off the Site; and
 - 3. Other property at the Site or adjacent thereto, including trees, shrubs, lawns, walks, pavements, roadways, structures, other work in progress, utilities, and underground facilities not designated for removal, relocation, or replacement in the course of construction.
- C. All damage, injury, or loss to any property caused, directly or indirectly, in whole or in part, by Contractor, or anyone for whose acts the Contractor may be liable, shall be remedied by Contractor at its expense (except damage or loss attributable to the fault of Contract Documents or to the acts or omissions of Owner or Engineer and not attributable, directly or indirectly, in whole or in part, to the fault or negligence of Contractor).

- D. Contractor shall be responsible for coordinating any exchange of material safety data sheets or other hazard communication information required to be made available to or exchanged between or among employers at the Site in accordance with Laws or Regulations.
- E. In emergencies affecting the safety or protection of persons or the Work or property at the Site or adjacent thereto, Contractor shall act to prevent threatened damage, injury, or loss. Contractor shall give Engineer prompt written notice if Contractor believes that any significant changes in the Work or variations from the Contract Documents have been caused thereby or are required as a result thereof. If Engineer determines that a change in the Contract Documents is required because of the action taken by Contractor in response to such an emergency, a Work Change Directive or Change Order will be issued.

7.10 Shop Drawings, Samples, and Other Submittals

- A. Contractor shall review and coordinate the shop drawing and samples with the requirements of the Work and the Contract Documents and shall verify all related field measurements, quantities, dimensions, specified performance and design criteria, installation requirements, materials, catalog numbers, and similar information.
- B. Each submittal shall bear a stamp or specific written certification that Contractor has satisfied Contractor's obligations under the Contract Documents with respect to Contractor's review of that submittal, and that Contractor approves the submittal.
- C. With each submittal, Contractor shall give Engineer specific written notice, in a communication separate from the submittal, of any variations that the shop drawing or sample may have from the requirements of the Contract Documents.
- D. Engineer will provide timely review of shop drawings and samples.
- E. Engineer's review and approval will not extend to means, methods, techniques, sequences, or procedures of construction or to safety precautions or programs.
- F. Engineer's review and approval of a separate item does not indicate approval of the assembly in which the item functions.
- G. Contractor shall make corrections required by Engineer and shall return the required number of corrected copies of shop drawings and submit, as required, new samples for review and approval. Contractor shall direct specific attention in writing to revisions other than the corrections called for by Engineer on previous submittals.
- H. Shop drawings are not Contract Documents.

7.11 Warranties and Guarantees

- A. Contractor warrants and guarantees to Owner that all Work will be in accordance with the Contract Documents and will not be defective. Engineer and its officers, directors, members, partners, employees, agents, consultants, and subcontractors shall be entitled to rely on Contractor's warranty and guarantee.

7.12 Correction Period

- A. If within one year after the date of substantial completion, any Work is found to be defective, or if the repair of any damages to the Site, adjacent areas that Contractor has arranged to use through construction easements or otherwise, and other adjacent areas used by Contractor as permitted by Laws and Regulations, is found to be defective, then Contractor shall promptly and without cost to Owner, correct such defective Work.

7.13 Indemnification

- A. To the fullest extent permitted by Laws and Regulations, and in addition to any other obligations of Contractor under the Contract or otherwise, Contractor shall indemnify and hold harmless Owner and Engineer, and the officers, directors, members, partners, employees, agents, consultants and subcontractors of each and any of them from and against all claims, costs, losses, and damages (including but not limited to all fees and charges of engineers, architects, attorneys, and other professionals and all court or arbitration or other dispute resolution costs) arising out of or relating to the performance of the Work, provided that any such claim, cost, loss, or damage is attributable to bodily injury, sickness, disease, or death, or to injury to or destruction of tangible property (other than the Work itself), including the loss of use resulting therefrom but only to the extent caused by any negligent act or omission of Contractor, any subcontractor, any supplier, or any individual or entity directly or indirectly employed by any of them to perform any of the Work or anyone for whose acts they may be liable.

ARTICLE 8. Owner's Responsibilities

8.01 Owner's Responsibilities

- A. Except as otherwise provided in the Contract Documents, Owner shall issue all communications to Contractor through Engineer.
- B. Owner shall make payments to Contractor as provided in this Contract.
- C. Owner shall provide Site and easements required to construct the Project.
- D. If Owner intends to contract with others for the performance of other work at or adjacent to the Site, unless stated elsewhere in the Contract Documents, Owner shall have sole authority and responsibility for such coordination.
- E. The Owner shall be responsible for performing inspections and tests required by applicable codes.
- F. The Owner shall not supervise, direct, or have control or authority over, nor be responsible for, Contractor's means, methods, techniques, sequences, or procedures of construction, or the safety precautions and programs, or for any failure of Contractor to comply with Laws and Regulations applicable to the performance of the Work. Owner will not be responsible for Contractor's failure to perform the Work in accordance with the Contract Documents.
- G. While at the Site, Owner's employees and representatives shall comply with the specific applicable requirements of Contractor's safety programs of which Owner has been informed.
- H. Owner shall furnish copies of any applicable Owner safety programs to Contractor.

ARTICLE 9. Engineer's Status During Construction

9.01 Engineer's Status

- A. Engineer will be Owner's representative during construction. The duties and responsibilities and the limitations of authority of Engineer as Owner's representative during construction are set forth in this Contract.
- B. Neither Engineer's authority or responsibility under this Article 9 or under any other provision of the Contract, nor any decision made by Engineer in good faith either to exercise or not exercise such authority or responsibility or the undertaking, exercise, or performance of any authority or responsibility by Engineer, shall create, impose, or give rise to any duty in contract, tort, or otherwise owed by Engineer to Contractor, any subcontractor, any supplier, any other individual or entity, or to any surety for or employee or agent of any of them.
- C. Engineer will make visits to the Site at intervals appropriate to the various stages of construction. Engineer will not be required to make exhaustive or continuous inspections on the Site to check the quality or quantity of the Work.
- D. Engineer has the authority to reject Work if Contractor fails to perform Work in accordance with the Contract Documents.
- E. Engineer will render decisions regarding the requirements of the Contract Documents, and judge the acceptability of the Work.
- F. Engineer will not supervise, direct, control, or have authority over or be responsible for Contractor's means, methods, techniques, sequences, or procedures of construction, or the safety precautions and programs, or for any failure of Contractor to comply with Laws and Regulations applicable to the performance of the Work. Engineer will not be responsible for Contractor's failure to perform the Work in accordance with the Contract Documents.

ARTICLE 10. Changes in the Work

10.1 Authority to Change the Work

- A. Without invalidating the Contract and without notice to any surety, Owner may, at any time or from time to time, order additions, deletions, or revisions in the Work.
- B. Change Orders
- C. Owner and Contractor shall execute appropriate Change Orders covering:
- D. Changes in the Contract Price or Contract Times which are agreed to by the parties, including any undisputed sum or amount of time for Work actually performed in accordance with a Work Change Directive;
- E. Changes in the Work which are: (a) ordered by Owner or (b) agreed to by the parties or (c) resulting from the Engineer's decision, subject to the need for Engineer's recommendation if the change in the Work involves the design (as set forth in the Drawings, Specifications, or otherwise), or other engineering or technical matters; and
- F. Changes in the Contract Price or Contract Times or other changes which embody the substance of any final binding results under Article 12.

- G. If the provisions of any bond require notice to be given to a surety of any change affecting the general scope of the Work or the provisions of the Contract Documents (including, but not limited to, Contract Price or Contract Times), the giving of any such notice will be Contractor's responsibility. The amount of each applicable bond will be adjusted to reflect the effect of any such change.

ARTICLE 11. Differing Subsurface or Physical Conditions

11.1 Differing Conditions Process

- A. If Contractor believes that any subsurface or physical condition including but not limited to utilities or other underground facilities that are uncovered or revealed at the Site either differs materially from that shown or indicated in the Contract Documents or is of an unusual nature, and differs materially from conditions ordinarily encountered and generally recognized as inherent in Work of the character provided for in the Contract Documents then Contractor shall, promptly after becoming aware thereof and before further disturbing the subsurface or physical conditions or performing any Work in connection therewith (except in an emergency), notify Owner and Engineer in writing about such condition. Contractor shall not further disturb such condition or perform any Work in connection therewith (except with respect to an emergency) until receipt of a written statement permitting Contractor to do so.
- B. After receipt of written notice, Engineer will promptly:
 - 1. Review the subsurface or physical condition in question;
 - 2. Determine necessity for Owner obtaining additional exploration or tests with respect to the condition;
 - 3. Determine whether the condition falls within the differing site condition as stated herein;
 - 4. Obtain any pertinent cost or schedule information from Contractor;
 - 5. Prepare recommendations to Owner regarding the Contractor's resumption of Work in connection with the subsurface or physical condition in question and the need for any change in the Drawings or Specifications; and
 - 6. Advise Owner in writing of Engineer's findings, conclusions, and recommendations.
- C. After receipt of Engineer's written findings, conclusions, and recommendations, Owner shall issue a written statement to Contractor regarding the subsurface or physical condition in question, addressing the resumption of Work in connection with such condition, indicating whether any change in the Drawings or Specifications will be made, and adopting or rejecting Engineer's written findings, conclusions, and recommendations, in whole or in part.

ARTICLE 12. Claims and Dispute Resolution

12.01 Claims Process

- A. The party submitting a claim shall deliver it directly to the other party to the Contract and the Engineer promptly (but in no event later than 10 days) after the start of the event giving rise thereto.
- B. The party receiving a claim shall review it thoroughly, giving full consideration to its merits. The two parties shall seek to resolve the claim through the exchange of information and direct

negotiations. All actions taken on a claim shall be stated in writing and submitted to the other party.

- C. If efforts to resolve a claim are not successful, the party receiving the claim may deny it by giving written notice of denial to the other party. If the receiving party does not take action on the claim within 45 days, the claim is deemed denied.
- D. If the dispute is not resolved to the satisfaction of the parties, Owner or Contractor shall give written notice to the other party of the intent to submit the dispute to a court of competent jurisdiction unless the Owner and Contractor both agree to an alternative dispute resolution process.

ARTICLE 13. Tests and Inspections; Correction of Defective Work

13.01 Tests and Inspections

- A. Owner and Engineer will have access to the Site and the Work at reasonable times for their observation, inspection, and testing. Contractor shall provide them proper and safe conditions for such access.
- B. Contractor shall give Engineer timely notice of readiness of the Work for all required inspections and tests, and shall cooperate with inspection and testing personnel to facilitate required inspections and tests.
- C. If any Work that is to be inspected, tested, or approved is covered by Contractor without written concurrence of Engineer, Contractor shall, if requested by Engineer, uncover such Work for observation. Such uncovering shall be at Contractor's expense.

13.02 Defective Work

- A. Contractor shall ensure that the Work is not defective.
- B. Engineer has the authority to determine whether Work is defective, and to reject defective Work.
- C. Prompt notice of all defective Work of which Owner or Engineer has actual knowledge will be given to Contractor.
- D. The Contractor shall promptly correct all such defective Work.
- E. When correcting defective Work, Contractor shall take no action that would void or otherwise impair Owner's special warranty and guarantee, if any, on said Work.
- F. If the Work is defective or Contractor fails to supply sufficient skilled workers or suitable materials or equipment, or fails to perform the Work in such a way that the completed Work will conform to the Contract Documents, then Owner may order Contractor to stop the Work, or any portion thereof, until the cause for such order has been eliminated.

ARTICLE 14. Payments to Contractor

14.01 Progress Payments

- A. The Contractor shall prepare a schedule of values that will serve as the basis for progress payments. The schedule of values will be in a form of application for payment acceptable to

Engineer. The unit price breakdown submitted with the bid will be used for unit price work. Break lump sum items into units that will allow for measurement of Work in progress.

14.02 Applications for Payments

- A. Contractor shall submit an application for payment in a form acceptable to the Engineer, no more frequently than monthly, to Engineer. Applications for payment will be prepared and signed by Contractor. Contractor shall provide supporting documentation required by the Contract Documents. Payment will be paid for Work completed as of the date of the application for payment.
- B. Beginning with the second application for payment, each application shall include an affidavit of Contractor stating that all previous progress payments received on account of the Work have been applied on account to discharge Contractor's legitimate obligations associated with prior applications for payment.

14.03 Retainage

- A. The Owner shall retain 10% of each progress payment until the Work is substantially complete.

14.04 Review of Applications

- A. Within 10 days after receipt of each application for payment, the Engineer will either indicate in writing a recommendation for payment and present the application for payment to Owner or return the application for payment to Contractor indicating in writing Engineer's reasons for refusing to recommend payment. The Contractor will make the necessary corrections and resubmit the application for payment.
- B. Engineer will recommend reductions in payment (set-offs) which, in the opinion of the Engineer, are necessary to protect Owner from loss because the Work is defective and requires correction or replacement.
- C. The Owner is entitled to impose set-offs against payment based on any claims that have been made against Owner on account of Contractor's conduct in the performance of the Work, incurred costs, losses, or damages on account of Contractor's conduct in the performance of the Work, or liquidated damages that have accrued as a result of Contractor's failure to complete the Work.

14.05 Contractor's Warranty of Title

- A. Contractor warrants and guarantees that title to all Work, materials, and equipment furnished under the Contract will pass to Owner free and clear of (1) all liens and other title defects, and (2) all patent, licensing, copyright, or royalty obligations, no later than seven days after the time of payment by Owner.

14.06 Substantial Completion

- A. The Contractor shall notify Owner and Engineer in writing that the Work is substantially complete and request the Engineer issue a certificate of substantial completion when Contractor considers the Work ready for its intended use. Contractor shall at the same time submit to Owner and Engineer an initial draft of punch list items to be completed or corrected before final payment.

- B. Engineer will make an inspection of the Work with the Owner and Contractor to determine the status of completion. If Engineer does not consider the Work substantially complete, Engineer will notify Contractor and Owner in writing giving the reasons therefor.
- C. If Engineer considers the Work substantially complete or upon resolution of all reasons for non-issuance of a certificate identified in 14.06.B, Engineer will deliver to Owner a certificate of substantial completion which shall fix the date of substantial completion and include a punch list of items to be completed or corrected before final payment.

14.07 Final Inspection

- A. Upon written notice from Contractor that the entire Work is complete, Engineer will promptly make a final inspection with Owner and Contractor and will notify Contractor in writing of all particulars in which this inspection reveals that the Work, or agreed portion thereof, is incomplete or defective. Contractor shall immediately take such measures as are necessary to complete such Work or remedy such deficiencies.

14.08 Final Payment

- A. Contractor may make application for final payment after Contractor has satisfactorily completed all Work defined in the Contract, including providing all maintenance and operating instructions, schedules, guarantees, bonds, certificates or other evidence of insurance, certificates of inspection, annotated record documents and other documents.
- B. The final application for payment shall be accompanied (except as previously delivered) by:
 - 1. All documentation called for in the Contract Documents;
 - 2. Consent of the surety to final payment;
 - 3. Satisfactory evidence that all title issues have been resolved such that title to all Work, materials, and equipment has passed to Owner free and clear of any liens or other title defects, or will so pass upon final payment;
 - 4. A list of all disputes that Contractor believes are unsettled; and
 - 5. Complete and legally effective releases or waivers (satisfactory to Owner) of all lien rights arising out of the Work, and of liens filed in connection with the Work.
- C. The Work is complete (subject to surviving obligations) when it is ready for final payment as established by the Engineer's written recommendation of final payment.

14.09 Waiver of Claims

- A. The making of final payment will not constitute a waiver by Owner of claims or rights against Contractor.
- B. The acceptance of final payment by Contractor will constitute a waiver by Contractor of all claims and rights against Owner other than those pending matters that have been duly submitted.

ARTICLE 15. Suspension of Work and Termination

15.01 Owner May Suspend Work

- A. At any time and without cause, Owner may suspend the Work or any portion thereof for a period of not more than 60 consecutive days by written notice to Contractor and Engineer. Such notice

will fix the date on which Work will be resumed. Contractor shall resume the Work on the date so fixed. Contractor shall be entitled to an adjustment in the Contract Price or an extension of the Contract Times, or both, directly attributable to any such suspension.

15.02 Owner May Terminate for Cause

- A. Contractor's failure to perform the Work in accordance with the Contract Documents or other failure to comply with a material term of the Contract Documents will constitute a default by Contractor and justify termination for cause.
- B. If Contractor defaults in its obligations, then after giving Contractor and any surety ten days written notice that Owner is considering a declaration that Contractor is in default and termination of the Contract, Owner may proceed to:

Declare Contractor to be in default, and give Contractor and any surety notice that the Contract is terminated; and

Enforce the rights available to Owner under any applicable performance bond.

- C. Owner may not proceed with termination of the Contract under Paragraph 15.02.B if Contractor within seven days of receipt of notice of intent to terminate begins to correct its failure to perform and proceeds diligently to cure such failure.
- D. Subject to the terms and operation of any applicable performance bond, if Owner has terminated the Contract for cause, Owner may exclude Contractor from the Site, take possession of the Work, incorporate in the Work all materials and equipment stored at the Site or for which Owner has paid Contractor but which are stored elsewhere, and complete the Work as Owner may deem expedient.
- E. In the case of a termination for cause, if the cost to complete the Work, including related claims, costs, losses, and damages, exceeds the unpaid contract balance, Contractor shall pay the difference to Owner.

15.03 Owner May Terminate for Convenience

- A. Upon seven days written notice to Contractor, Owner may, without cause and without prejudice to any other right or remedy of Owner, terminate the Contract. In such case, Contractor shall be paid for, without duplication of any items:
 - 1. Completed and acceptable Work executed in accordance with the Contract Documents prior to the effective date of termination, including fair and reasonable sums for overhead and profit on such Work;
 - 2. Expenses sustained prior to the effective date of termination in performing services and furnishing labor, materials, or equipment as required by the Contract Documents in connection with uncompleted Work, plus fair and reasonable sums for overhead and profit on such expenses; and
 - 3. Other reasonable expenses directly attributable to termination, including costs incurred to prepare a termination for convenience cost proposal.
- B. Contractor shall not be paid on account of loss of anticipated overhead, profits, or revenue, or other economic loss arising out of or resulting from such termination.

15.04 Contractor May Stop Work or Terminate

- A. If, through no act or fault of Contractor, (1) the Work is suspended for more than 90 consecutive days by Owner or under an order of court or other public authority, or (2) Owner fails for 30 days to pay Contractor any sum finally determined to be due, then Contractor may, upon seven days written notice to Owner, and provided Owner does not remedy such suspension or failure within that time, either stop the Work until payment is received, or terminate the Contract and recover payment from the Owner.

ARTICLE 16. Contractor's Representations

16.01 Contractor Representations

- A. Contractor makes the following representations when entering into this Contract:
 - 1. Contractor has examined and carefully studied the Contract Documents, and any data and reference items identified in the Contract Documents.
 - 2. Contractor has visited the Site, conducted a thorough visual examination of the Site and adjacent areas, and become familiar with and is satisfied as to the general, local, and Site conditions that may affect cost, progress, and performance of the Work.
 - 3. Contractor is familiar with and is satisfied as to all Laws and Regulations that may affect cost, progress, and performance of the Work.
 - 4. Contractor has considered the information known to Contractor itself; information commonly known to contractors doing business in the locality of the Site; information and observations obtained from visits to the Site; the Contract Documents; and the Site-related reports and drawings identified in the Contract Documents, with respect to the effect of such information, observations, and documents on:
 - 5. The cost, progress, and performance of the Work;
 - 6. The means, methods, techniques, sequences, and procedures of construction to be employed by Contractor; and
 - 7. Contractor's safety precautions and programs.
 - 8. Based on the information and observations referred to in the preceding paragraph, Contractor agrees that no further examinations, investigations, explorations, tests, studies, or data are necessary for the performance of the Work at the Contract Price, within the Contract Times, and in accordance with the other terms and conditions of the Contract.
 - 9. Contractor is aware of the general nature of work to be performed by Owner and others at the Site that relates to the Work as indicated in the Contract Documents.
 - 10. Contractor has given Engineer written notice of all conflicts, errors, ambiguities, or discrepancies that Contractor has discovered in the Contract Documents, and the written resolution thereof by Engineer is acceptable to Contractor.
 - 11. The Contract Documents are generally sufficient to indicate and convey understanding of all terms and conditions for performance and furnishing of the Work.
 - 12. Contractor's entry into this Contract constitutes an incontrovertible representation by Contractor that, without exception, all prices in the Contract are premised upon performing and furnishing the Work required by the Contract Documents.

ARTICLE 17. Miscellaneous

17.01 Cumulative Remedies

- A. The duties and obligations imposed by this Contract and the rights and remedies available hereunder to the parties hereto are in addition to, and are not to be construed in any way as a limitation of, any rights and remedies available to any or all of them which are otherwise imposed or available by Laws or Regulations, by special warranty or guarantee, or by other provisions of the Contract. The provisions of this paragraph will be as effective as if repeated specifically in the Contract Documents in connection with each particular duty, obligation, right, and remedy to which they apply.

17.02 Limitation of Damages

- A. Neither Owner, Engineer, nor any of their officers, directors, members, partners, employees, agents, consultants, or subcontractors, shall be liable to Contractor for any claims, costs, losses, or damages sustained by Contractor on or in connection with any other project or anticipated project.

17.03 No Waiver

- A. A party’s non-enforcement of any provision shall not constitute a waiver of that provision, nor shall it affect the enforceability of that provision or of the remainder of this Contract.

17.04 Survival of Obligations

- A. All representations, indemnifications, warranties, and guarantees made in, required by, or given in accordance with the Contract, as well as all continuing obligations indicated in the Contract, will survive final payment, completion, and acceptance of the Work or termination or completion of the Contract or termination of the services of Contractor.

17.05 Contractor’s Certifications

Contractor certifies that it has not engaged in corrupt, fraudulent, collusive, or coercive practices in competing for or in executing the Contract.

17.06 Controlling Law

- A. This Contract is to be governed by the law of the state in which the Project is located.

IN WITNESS WHEREOF, Owner and Contractor have signed this Contract.
This Contract will be effective on the date of the last signature.

OWNER

CONTRACTOR

City of Aztec, A Municipal Corporation

(Company)

Signature: _____

Signature: _____

Name: Jeff Blackburn

Name: _____

Title: City Manager

Title: _____

Date: _____

Date: _____

Attest: _____
Title: _____
Date: _____

Address for giving notices:
City of Aztec
Attn: City Manager
201 W Chaco
Aztec NM 87410

Approved as to Form:

City Attorney

Date: _____

(If Contractor is a corporation, a partnership, or a joint venture, attach evidence of authority to sign.)

Attest: _____
Title: _____
Date: _____

Address for giving notices:

Federal ID #: _____
NM CRS ID #: _____
City License #: _____

PERFORMANCE BOND

KNOW ALL PERSONS BY THESE PRESENTS, that

_____,
[Here insert the name and address or legal title of the CONTRACTOR]

as Principal, hereinafter called the CONTRACTOR, and

_____,
[Here insert the legal title of the surety]

a corporation organized and existing under and by virtue of the laws of the State of _____ and authorized to do business in the State of New Mexico, hereinafter called the Surety, are held and firmly bound unto City of Aztec, 201 West Chaco, Aztec, New Mexico 87410 as Obligee, hereinafter called the OWNER, in the amount of Dollars (\$_____), for the payment whereof CONTRACTOR and Surety bind themselves, their heirs, executors, administrators, successors, and assigns jointly and severally firmly by these presents.

WHEREAS, CONTRACTOR has by written agreement dated _____ entered into a contract described as follows: Hartman Park Field Lighting which contract is by reference made a part hereof and is hereinafter referred to as the Contract.

NOW, THEREFORE, the condition of this obligation is such that, if CONTRACTOR shall faithfully perform and complete said contract according to its terms and comply with all requirements of law, then this obligations shall be null and void; otherwise it shall remain in full force and effect.

The Surety hereby waives notice of any alteration or extension of time made by the OWNER.

Whenever the CONTRACTOR shall be, and declared by the OWNER to be, in default under the said contract, the OWNER having performed its obligations hereunder, the Surety may promptly remedy the default or shall promptly:

Complete the contract in accordance with its terms and conditions, or

Obtain a bid or bids for submission to the OWNER for completing said contract in accordance with its terms and conditions and, "upon determination by the OWNER and Surety of the lowest responsible bidder, arrange for a contract between such bidder and the OWNER and make available as work progresses (even though there should be a default or a succession of defaults under the contract or contracts of completion arranged under this paragraph) sufficient funds to pay the cost of completion less the balance of the contract price but not exceeding, including other costs and damages for which the Surety may be liable hereunder, the amount set forth in the first paragraph hereof. The term "balance of the contract price," as used in this paragraph shall mean: the total amount payable by the OWNER to the CONTRACTOR under said contract and any amendments thereto, less the amount properly paid by the OWNER to the CONTRACTOR.

The Surety acknowledges that said contract may contain express guarantees and agrees that said guarantees, if any, are covered by the Surety's obligation hereunder.

Any suit under this bond must be instituted before the expiration of two years from the date final payment under the contract falls due, except that, with respect to express guarantees of a longer term, a suit thereon must be initiated within six months following the expiration of said express guarantees, if any.

Right of action with respect to any express guarantees, if any, in said contract shall accrue following completion and formal acceptance of the work under said contract.

No right of action shall accrue on this bond to or for the use of any person or corporation other than the Owner named herein or its successors or assigns.

Venue upon any suit brought upon this bond shall be in the District Court of San Juan County, New Mexico.

Signed and Sealed on: _____, 2024

In Presence of

[Contractor's Principal]

By: _____

Title: _____

Approved as to Form:

Attorney for the Owner

[Surety]

By: _____

Title: _____

Countersigned:

[Surety's Authorized New Mexico Agent]

PAYMENT BOND

KNOW ALL PERSONS BY THESE PRESENTS, that

_____,
[Here insert the name and address or legal title of the CONTRACTOR]

as Principal, hereinafter called the CONTRACTOR, and

_____,
[Here insert the legal title of the surety]

a corporation organized and existing under and by virtue of the laws of the State of _____ and authorized to do business in the State of New Mexico, hereinafter called the Surety, are held and firmly bound unto City of Aztec, 201 West Chaco, Aztec, New Mexico 87410 as Obligee, hereinafter called the OWNER, in the amount of Dollars (\$ _____), for the payment whereof CONTRACTOR and Surety bind themselves, their heirs, executors, administrators, successors, and assigns jointly and severally firmly by these presents.

WHEREAS, CONTRACTOR has by written agreement dated _____ entered into a contract described as follows: Hartman Park Field Lighting which contract is by reference made a part hereof and is hereinafter referred to as the Contract.

NOW, THEREFORE, the condition of this obligation is such that if the CONTRACTOR shall pay as they become due, all just claims for labor performed and materials and supplies furnished upon or for the work under said contract, pursuant to Sections 13-4-18 through 13-4-20 NMSA 1978, whether said labor be performed and materials and supplies be furnished under the original contract or any contract thereunder, then this obligation shall be null and void; otherwise it shall remain in full force and effect, subject, however, to the following conditions:

The right to sue on this bond accrues only to the OWNER and the parties to whom New Mexico Statutes Annotated, 1978, 13-4-18 through 13-4-20, as amended, grant such right; and any such right shall be exercised only in accordance with the provisions and limitations of said statutes.

The Surety, for value received, hereby expressly stipulates and agrees that no change, extension of time, alteration or addition to the terms of the agreement or to the work to be performed thereunder or the specifications accompanying the same shall in any way affect the Surety’s obligation on this bond; and the Surety does hereby waive notice of any such change, extension of time, alteration or addition to the terms of this agreement or to the work or specifications.

Venue upon any suit brought upon this bond shall be in the District Court of San Juan County, New Mexico.

This bond is issued simultaneously with another bond conditioned for the full and faithful performance of the contract.

Signed and Sealed on: _____, 2024

In Presence of

[Contractor's Principal]

By: _____

Title: _____

Approved as to Form:

Attorney for the Owner

[Surety]

By: _____

Title: _____

Countersigned:

[Surety's Authorized New Mexico Agent]

This bond is issued simultaneously with performance bond in favor of contracting agency for the faithful performance of the contract.

CHANGE ORDER FORM

CHANGE ORDER NO. _____
 Owner: _____ Owner's Project No.: _____
 Engineer: _____ Engineer's Project No.: _____
 Contractor: _____ Contractor's Project No.: _____
 Project: _____
 Contract Name: _____
 Date Issued: _____ Effective Date of Change Order: _____

The Contract is modified as follows upon execution of this Change Order:

Description:

[Description of the change]

Attachments:

[List documents related to the change]

Change in Contract Price	Change in Contract Times [State Contract Times as either a specific date or a number of days]
Original Contract Price: \$ _____	Original Contract Times: Substantial Completion: _____ Ready for final payment: _____
[Increase] [Decrease] from previously approved Change Orders No. 1 to No. [Number of previous Change Order]: \$ _____	[Increase] [Decrease] from previously approved Change Orders No.1 to No. [Number of previous Change Order]: Substantial Completion: _____ Ready for final payment: _____
Contract Price prior to this Change Order: \$ _____	Contract Times prior to this Change Order: Substantial Completion: _____ Ready for final payment: _____
[Increase] [Decrease] this Change Order: \$ _____	[Increase] [Decrease] this Change Order: Substantial Completion: _____ Ready for final payment: _____
Contract Price incorporating this Change Order: \$ _____	Contract Times with all approved Change Orders: Substantial Completion: _____ Ready for final payment: _____

Recommended by Engineer (if required)

Authorized by Owner

By: _____
 Title: _____
 Date: _____

Authorized by Owner

Approved by Funding Agency (if applicable)

By: _____
 Title: _____
 Date: _____

CERTIFICATE OF SUBSTANTIAL COMPLETION

Name of Project: Hartman Park Field Lighting
Project #: ITB # 2024-845 Hartman Park Field Lighting
Contract Control No: 2024-845

Through this correspondence we are documenting beneficial acceptance of the above referenced project completed substantially in accordance with the plans and specifications on _____.

The City of Aztec will accept full maintenance responsibilities commencing _____, pending completion of warranty work if required, and a final warranty inspection.

PUNCH LIST:

A list of items to be completed or corrected, prepared by the Architect/Engineer, checked and augmented as required by the Prime Contractor or Construction Manager is appended hereto. The failure to include any item on such list does not relieve the Contractor of the responsibility to complete all work in accordance with the Contract documents.

The Contractor shall complete or correct the work on the punch list appended hereto by ____/____/____. The punch list consists of _____ items.

_____ Contractor	_____ Representative	_____ Date
_____ Architect/Engineer	_____ Representative	_____ Date
_____ Owner: City of Aztec	_____ Representative	_____ Date

Attachments:
Punch List

RELEASE AND WAIVER OF LIENS

With reference to Contract Control No. 2024-845, dated _____, 2024, as amended, between the undersigned Contractor _____ and City of Aztec for Hartman Park Field Lighting, the Contractor hereby certifies that is has made full payment of all cots, charges and expenses incurred by it or on its behalf for work, labor, services, materials and equipment supplied to the foregoing premises or used in connection with its performance under said Contract.

The Contractor further certifies that to its best knowledge and belief, each of its subcontractors and material men has made full payment of all costs, charges and expenses incurred by them or on their behalf for work, labor, services, materials and equipment supplies to the foregoing premises or used by them in connection with said Contract. In consideration of \$_____ constitutes complete and total payment, the Contractor hereby remises, releases and forever discharges City of Aztec, its premises and property and the Engineer, from all bills, liens and claims of every nature arising out of or in connection with the performance of said Contract and any amendments thereto, except as set forth in the Contractor’s Statement Concerning Claims.

The foregoing shall not relieve the Contractor of its obligations under the provisions of said Contract, as amended, which by their nature survive completion of the Work including, without limitation, warranties, guarantees and indemnities.

Executed this _____ day of _____, 2024.

State of _____

Name of Contractor

County of _____

Subscribed and Sworn to me this _____ day of _____, 2024.

Signature of Authorized Representative for Contractor

Notary

Printed Name

Notary Commission Expires

Title

SUBCONTRACTOR’S RELEASE AND WAIVER OF LIENS

THE UNDERSIGNED, for and in consideration of the sum indicated below, the receipt whereof is hereby acknowledged, which is in full/partial payment of all sums due him for work performed and/or materials furnished in connection with the following described project, does hereby waive any right which he may have at this date to file any liens, mechanics, materialmen, or otherwise against said property for or by reason of any work performed or any materials furnished in undersigned affirms that there are no amounts included in this payment for labor or materials furnished by other parties which can become a lien against the described project.

Project: ITB # 2024-845 Hartman Park Field Lighting

Lien Waiver Date: _____

Amount: _____

() Full () Partial

TYPE OF WORK AND/OR MATERIAL FURNISHED

Executed this _____ day of _____, 20 _____ .

CONTRACTOR

SUBCONTRACTOR

Mailing Address

Mailing Address

Contractor Authorized Representative

Sub-Contractor Authorized Representative

Printed Name

Printed Name

Title

Title

State of _____
County of _____

Subscribed and Sworn to me this _____ day of _____, 2024.

Notary

Notary Commission Expires

CONTRACTOR'S STATEMENT CONCERNING CLAIMS

For the purpose of obtaining final payment of funds due me for the satisfactory completion of ITB 2025-861 Hartman Park Field Lighting in conformity with the contract documents, including the plans and specifications or authorized modifications thereof, I hereby certify that all lawful claims for labor performed and material, supplies and services furnished by me or any sub-contractor for the said work, have been fully paid or satisfied, with the exception of the following claims:

It is requested that final payment of funds due me under the contract be made.

Executed this _____ day of _____, 2024.

State of _____

Name of Contractor

County of _____

Subscribed and Sworn to me this _____
day of _____, 2024.

Signature of Authorized Representative for
Contractor

Notary

Printed Name

Notary Commission Expires

Title

APPENDIX A: DESIGN AND AIMING DIAGRAM



Makers Sales and Marketing, LLC

HARTMAN PARK

COOPER LIGHTING

1/30/24



APPROVED

SIGNATURE _____

DATE _____

GENERAL NOTES

MSP50MSPAB - P1-P4

50 FT ROUND TAPERED STEEL POLE - ANCHOR BASE

INCLUDES:

GALVANIZING PER ASTM A 123

STANDARD ACCESS HAND HOLES

J HOOK FOR CABLE

INTERNAL CABLE GUIDE PROVIDED FOR POLES 50' OR ABOVE

STEEL TEMPLATE

(1) 6 FIXTURE TUBULAR CROSSARMS - PLATE TO PLATE MOUNT

BFDS FULL PREWIRE CROSSARMS, DROP CABLE, FUSED DISCONNECT.

MALE SO CORD

FIXTURE HARDWARE

DESIGN LOAD:

EPA = 15

90 MPH AASHTO 2013

WIND DISCLAIMER:

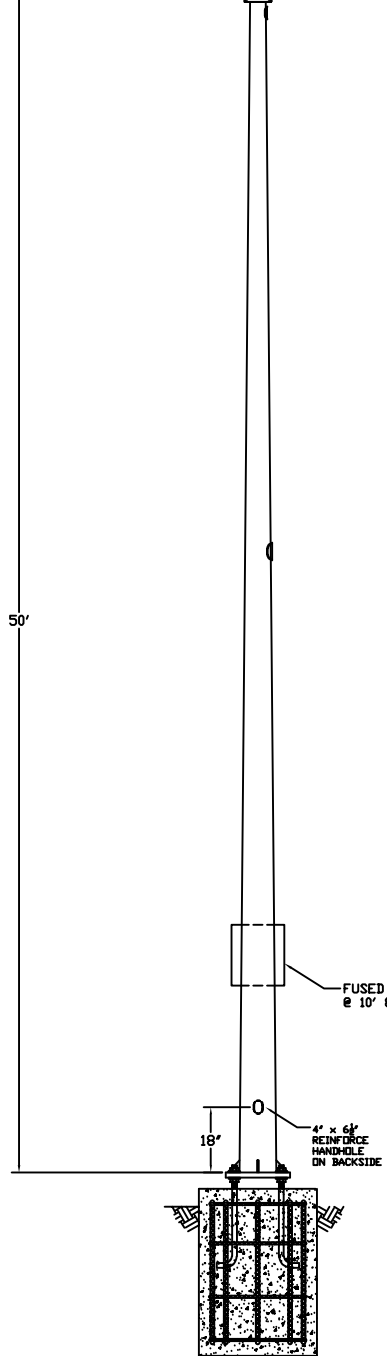
VIBRATIONS, HARMONIC DISTORTIONS, AND VORTEX SHEARING, ARE DIFFICULT TO PREDICT. FACTORS INFLUENCING THESE CONDITIONS DEPEND ON MANY VARIABLES. AS SUCH, THE USER SHOULD MAINTAIN THE STRUCTURE ON A REGULAR SCHEDULE CHECKING FOR EXCESSIVE VIBRATION, BOLT LOOSENING, OR STRUCTURAL DAMAGE. THE MSM WARRANTY SPECIFICALLY EXCLUDES FAILURE DUE TO FATIGUE CAUSED BY THESE PHENOMENA. STEEL POLE ANCHOR BOLT NUTS SHALL BE CHECKED ANNUALLY TO VERIFY THEY STILL MEET THE TORQUE SPECIFICATION.



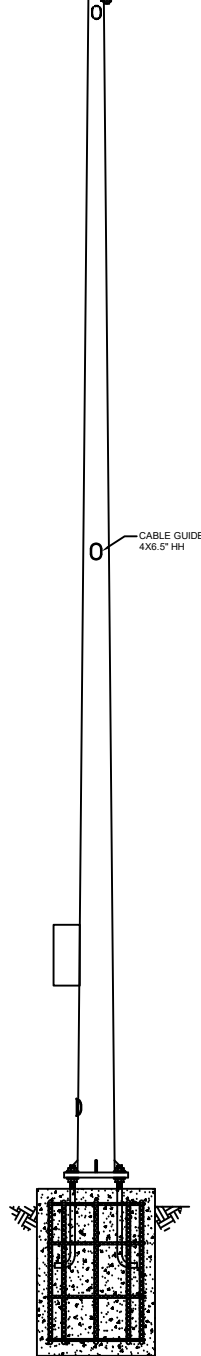
2316 WEAVER ST.
HALTOM CITY, TX 76117
METRO (817) 834-5538
TOLL FREE (866) 724-4527
FAX (817) 831-6088

DATE: 1/30/24	REV.: 00	JOB NO. N/A	SCALE: NTS
DRAWING NUMBER: GENERAL NOTES		DRAWN BY: DR	QUOTE NUMBER: Q040523JV6r3

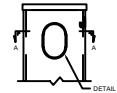
**HARTMAN PARK
COOPER LIGHTING
P1-P4**



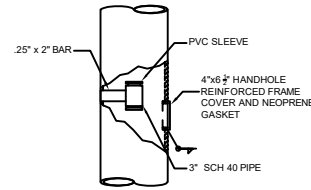
FRONT VIEW



SIDE VIEW



3 X 5" REINFORCE HANDHOLE



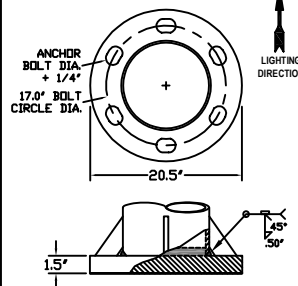
CABLE GUIDE



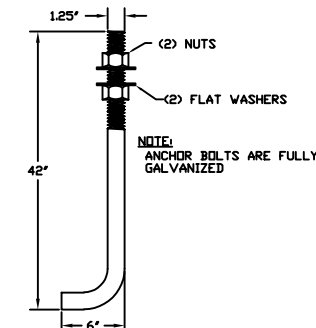
4 X 6 1/2" REINFORCE HANDHOLE

	BASE OD (in)	TOP OD (in)	WALL THC	LENGT (ft)	WEIGHT (lbs)
SHAFT	12	5	.188	50	850

POLE DIMENSION



BASEPLATE



NOTE:
ANCHOR BOLTS ARE FULLY GALVANIZED

ANCHOR BOLT

COMPONENT	SPECIFICATION
POLE TOP	ASTM A572 GR. 65
POLE BOTTOM	ASTM A572 GR. 65
MISC. STEEL	ASTM A36
ANCHOR BOLTS	ASTM F1554 GR. 55
BASE PLATE	ASTM A572 GR. 55

GENERAL NOTES:
 1. ALL HARDWARE TO BE GALVANIZED TO ASTM A153.
 2. POLE ASSEMBLY TO BE GALVANIZED TO ASTM A123.
 3. ALL WELDING TO CONFORM TO AWS D1.1 MOST RECENT EDITION.
 4. DESIGN INCORPORATE GUST FACTOR PER REF CODE.
 5. REFER TO GENERAL INSTALLATION INSTRUCTIONS PRIOR TO ASSEMBLY.

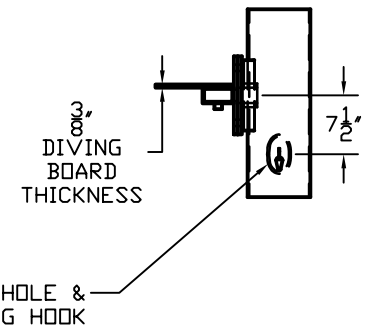
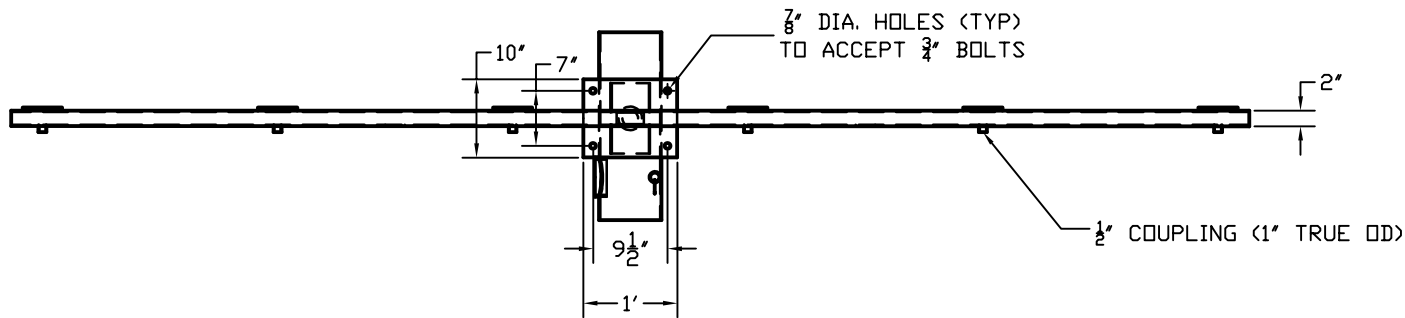
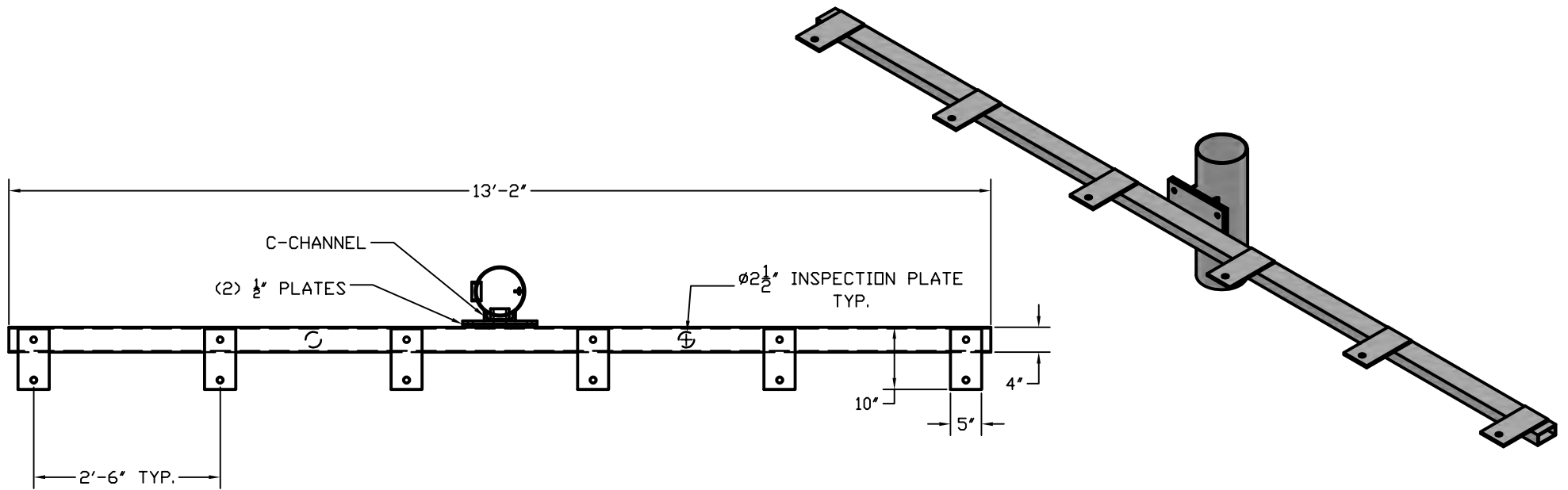
FINISH:	WIND SPEED:	DESIGN CRITERIA:
<input checked="" type="checkbox"/> GALVANIZED	<input type="checkbox"/> 80 MPH <input type="checkbox"/> 110 MPH	<input type="checkbox"/> AASHTO LTS 3 <input type="checkbox"/> IBC
<input type="checkbox"/> PAINTED	<input checked="" type="checkbox"/> 90 MPH <input type="checkbox"/> 120 MPH	<input checked="" type="checkbox"/> AASHTO LTS 6 <input type="checkbox"/> DSA
<input type="checkbox"/> PAINTED & GALV	<input type="checkbox"/> 100 MPH <input type="checkbox"/> MPH	<input type="checkbox"/> ASCE 7-10 <input type="checkbox"/> UBC

MATERIAL SPECIFICATIONS

DATE: 1/30/24	REV.:	CHECKED BY:	SCALE: NTS
DRAWING NUMBER: MSP50MSPAB	DRAWN BY: DR	QUOTE NUMBER: Q040523JV6r3	

MSM
 Makers Sales and Marketing, LLC
 PO BOX 14537
 HALTOM CITY, TX 76117
 METRO (817) 834-5538
 TOLL FREE (866) 724-4527
 FAX (817) 831-6088

**HARTMAN PARK
 COOPER LIGHTING
 P1-P4**



MSM
Makers Sales and Marketing, LLC

2316 WEAVER ST.
HALTOM CITY, TX 76117
METRO (817) 834-5538
TOLL FREE (866) 724-4527
FAX (817) 831-6088

DATE:
1/30/23

REV.:
00

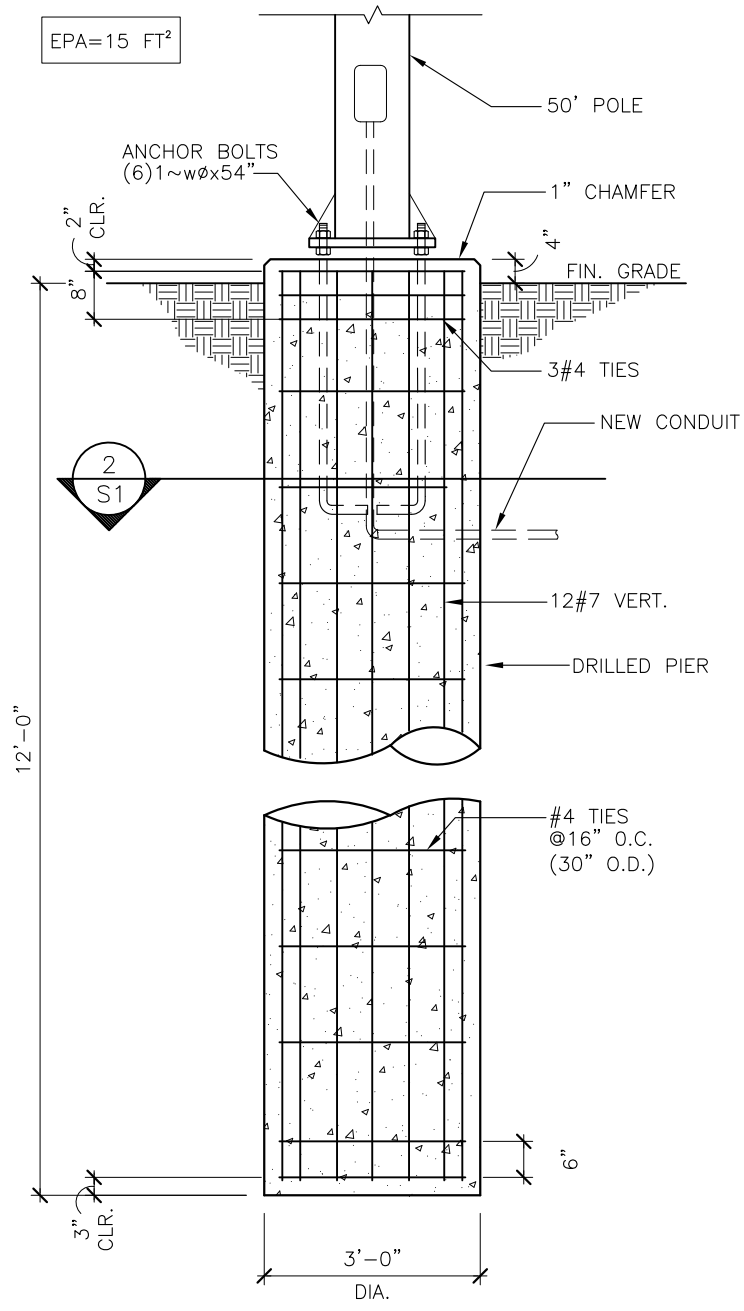
CHECKED BY:
N/A

DRAWING NUMBER:
TSCA6

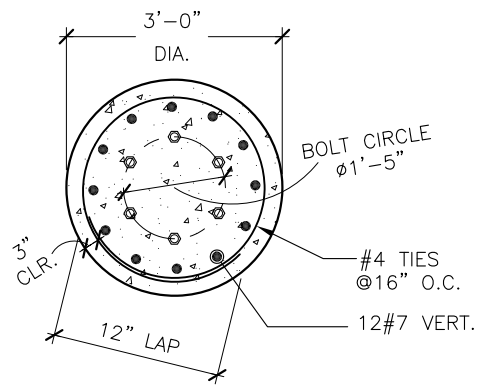
DRAWN BY:
DR

**HARTMAN PARK
COOPER LIGHTING
1 EACH - P1-P4**

EPA=15 FT²

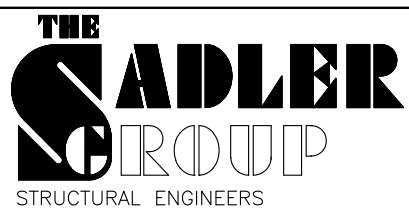


2
S1



2 SECTION
SCALE: 3/8"=1'-0"

1 POLE PIER
SCALE: 3/8"=1'-0"



500 MAIN ST. • SUITE 700
FORT WORTH, TEXAS 76102
PHONE: 817-332-1074
tom@thesadlergroup.com

CLIENT:
MAKER SALES AND MARKETING, LLC
PO BOX 14537
HALTOM CITY, TX 76117

PROJECT:
HARTMAN SOCCER FIELDS
W. AZTEC BOULEVARD
AZTEC, NM 87410

PRODUCT:
LIGHT POLES PIERS

PROJECT NO.
24-109

DATE:
02-13-2024

DRAWN BY:
VNR

SHEET NO.
S1

GENERAL NOTES:

1. DRILLED PIERS HAVE BEEN DESIGNED IN ACCORDANCE TO THE 2015 INTERNATIONAL BUILDING CODE, ASCE7-10 AND ACI BUILDING CODE 318-14.
2. DESIGN WIND PRESSURE ARE BASED ON A $V_{BASIC} = 110$ MPH WIND SPEED (85 MPH BASIC WIND SPEED, V_{ASD}) AND PER AASHTO LTS6 2013.
3. DRILLED PIER DESIGNED BASED ON THE REACTIONS (SERVICES) PROVIDED BY MSM MAKERS. LIGHT POLES ARE DESIGNED FOR:

50' POLE	MOMENT	=33.8 K-FT
	HORIZONTAL	=0.8675 K
	AXIAL	=1.4331 K

4. CONCRETE SHALL HAVE A MINIMUM COMPRESSIVE STRENGTH OF 3,000 PSI AT 28 DAYS.
5. DRILLED PIERS DESIGNS ARE BASED ON ASSUMED VALUES FROM THE GEOTECHNICAL ENGINEERING REPORT BY GEOMAT INC DATED 11-30-2023 PROJECT NO: 2324570 SOIL CLASSIFICATION. ASSUMED DESIGN VALUES FROM IBC 2015 ARE AS FOLLOWS:

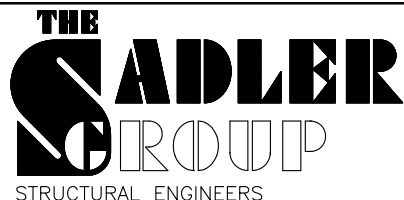
ALLOWABLE END BEARING PRESSURE2,000 PSF
 ASSUMED INTERNAL ANGLE OF FRICTION.....32 DEG
 ASSUME LATERAL PRESSURE150 PSF/FT

6. CONTRACTOR SHOULD ENGAGE WITH THE GEOTECHNICAL-ENGINEER-OF-RECORD (GER) IN THE REVIEW OF THIS FOUNDATION IN ORDER TO PROVIDE ANY ADDITIONAL GEOTECHNICAL RECOMMENDATIONS. OBSERVATIONS DURING PIER DRILLING SHOULD INCLUDE, BUT NOT NECESSARILY BE LIMITED TO, THE FOLLOWING ITEMS:

- VERIFICATION OF PROPER BEARING STRATA AND CONSISTENCY OF SUBSURFACE STRATIFICATION WITH REGARD TO BORING LOGS.
- PROPER HANDLING OF ANY OBSERVED WATER SEEPAGE AND SLOUGHING OF SUBSURFACE MATERIALS,
- NO MORE THAN 2 INCHES OF STANDING WATER SHOULD BE PERMITTED IN THE BOTTOM OF PIER HOLES.
- BASED ON AVAILABLE INFORMATION FROM THE GEOTECHNICAL REPORT, HYDROSTATIC GROUNDWATER LEVELS ARE AT OR NEAR THE PROPOSED STRUCTURES AND RECOMMENDED CORRECTIONS FOR THE NEW TRACK AND SYNTHETIC TURF FIELDS.

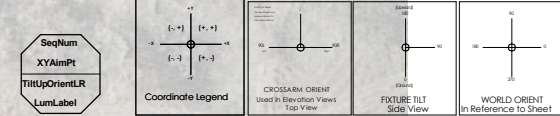
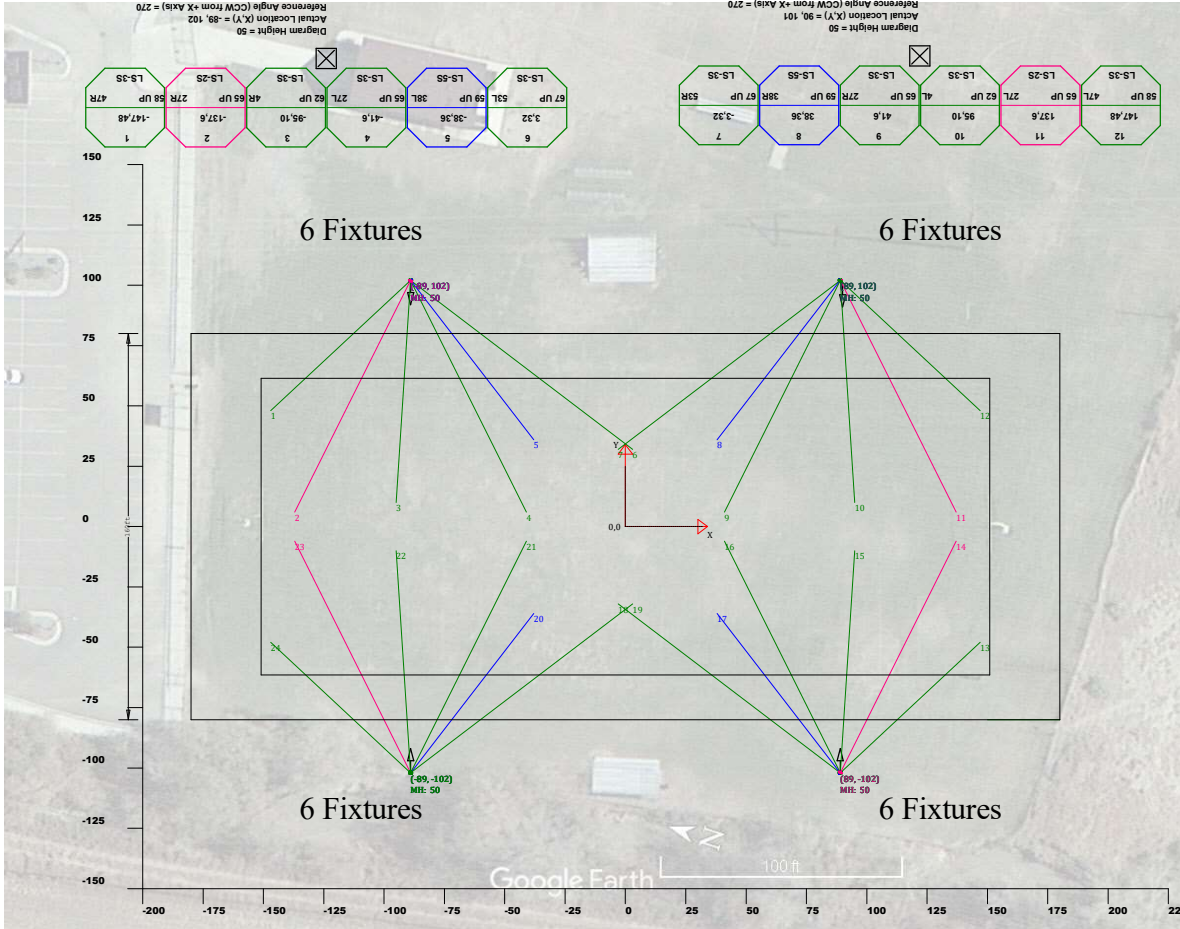
INFORMATION REGARDING GROUNDWATER MEASUREMENTS CAN BE FOUND ON THE BORING LOGS IN THE RESULTS OF THE GEOTECHNICAL REPORT MENTIONED HERE IN.

7. CONTRACTOR SHALL MAINTAIN HOLE SIDEWALLS STABILITY DURING DRILLING. REMOVE LOOSE MATERIAL AND KEEP EXCAVATION FREE OF WATER. PROVIDE ANY MEANS TO MAINTAIN THE DRILLED HOLE DRY. REFER TO ACI 336.3R-93 CHAPTER 4 FOR CONSTRUCTION METHODS. PLACE CONCRETE AS SOON AS PRACTICAL AFTER COMPLETION OF EXCAVATION AND THE CONDITIONS HAVE BEEN ACCEPTED BY OWNER'S REPRESENTATIVE-GEOTECHNICAL ENGINEER.



500 MAIN ST. • SUITE 700
 FORT WORTH, TEXAS 76102
 PHONE: 817-332-1074
 tom@thesadlergroup.com

CLIENT: MAKER SALES AND MARKETING, LLC PO BOX 14537 HALTOM CITY, TX 76117			
PROJECT: HARTMAN SOCCER FIELDS W. AZTEC BOULEVARD AZTEC, NM 87410		PRODUCT: LIGHT POLES PIERS	
PROJECT NO. 24-109	DATE: 02-13-2024	DRAWN BY: VNR	SHEET NO. 50



Aiming Diagram Key:
 Orient, R - Orientation angle Left (L) or Right (R) of reference angle
 TiltUp - Tilt angle up from nadir
 XYAimPt - X, Y aiming point (adjusted relative to offset location)
 SeqNum - Luminaire sequence number
 LumLabel - Luminaire label

NOTE: ALL ELEVATIONS ARE SHOWN AS VIEWED FROM BEHIND THE POLE

Symbol	Qty	Label	Description
⊗	4	LS-2S	EPH-08-640L-87-70-2S-CV2-S
⊙	16	LS-3S	EPH-08-640L-87-70-3S-CV2-S
⊖	4	LS-5S	EPH-08-640L-87-70-5S-CV2-S

LumNo	Label	Orient	Tilt	X	Y	Z	X-Aimpt	Y-Aimpt
1	LS-3S	222.955	57.75	-89	-102	50	-147	43
2	LS-2S	243.435	65.022	-89	-102	50	-137	6
3	LS-3S	266.269	61.528	-89	-102	50	-95	10
4	LS-3S	296.565	65.022	-89	-102	50	-41	6
5	LS-3S	307.694	59.089	-89	-102	50	-38	36
6	LS-3S	322.734	66.611	-89	-102	50	3	32
7	LS-3S	217.266	66.611	89	-102	50	-3	32
8	LS-5S	232.306	59.089	89	-102	50	38	36
9	LS-3S	243.435	65.022	89	-102	50	41	6
10	LS-3S	273.731	61.528	89	-102	50	95	10
11	LS-2S	296.565	65.022	89	-102	50	137	6
12	LS-3S	317.045	57.75	89	-102	50	147	48
13	LS-3S	42.955	57.75	89	-102	50	147	-48
14	LS-2S	63.435	65.022	89	-102	50	137	-6
15	LS-3S	66.269	61.528	89	-102	50	95	-10
16	LS-3S	116.565	65.022	89	-102	50	41	-6
17	LS-3S	127.694	59.089	89	-102	50	38	-36
18	LS-3S	142.734	66.611	89	-102	50	-3	-32
19	LS-3S	37.266	66.611	-89	-102	50	3	-32
20	LS-5S	52.306	59.089	-89	-102	50	-38	-36
21	LS-3S	63.435	65.022	-89	-102	50	-41	-6
22	LS-3S	93.731	61.528	-89	-102	50	-95	-10
23	LS-2S	116.565	65.022	-89	-102	50	-137	-6
24	LS-3S	137.045	57.75	-89	-102	50	-147	-48

HARTMAN PARK AIMING DIAGRAM

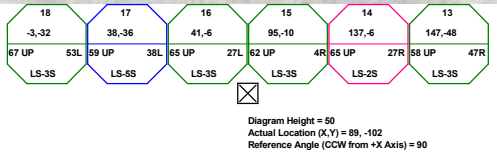
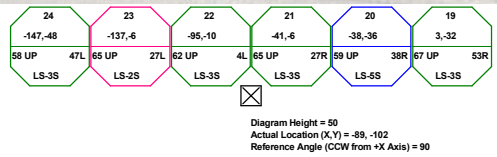
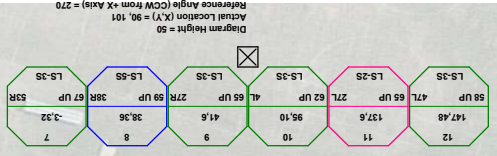
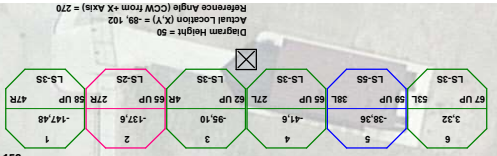
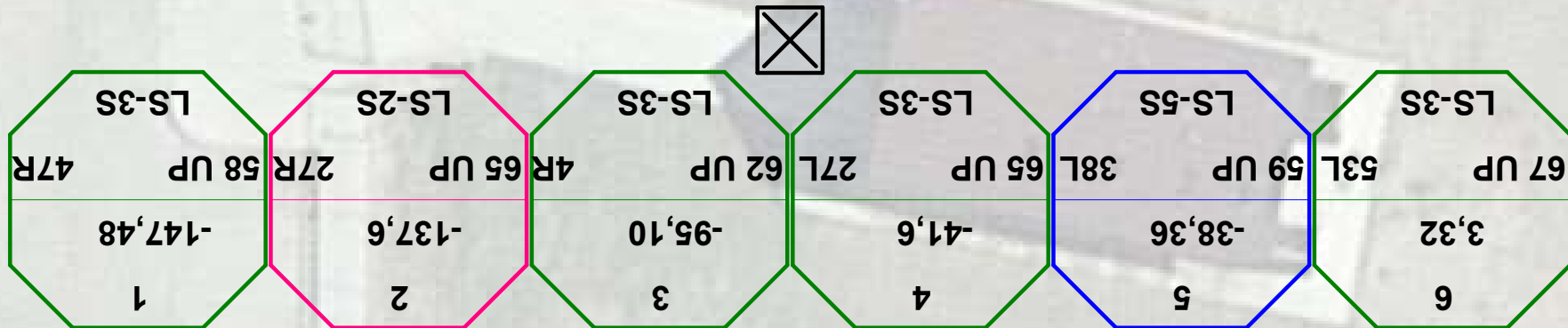


Diagram Height = 50
Actual Location (X,Y) = -89, 102
Reference Angle (CCW from +X Axis) = 270



150

125

100

6 Fixtures

(-89, 102)
MH: 50

6 Fixtures

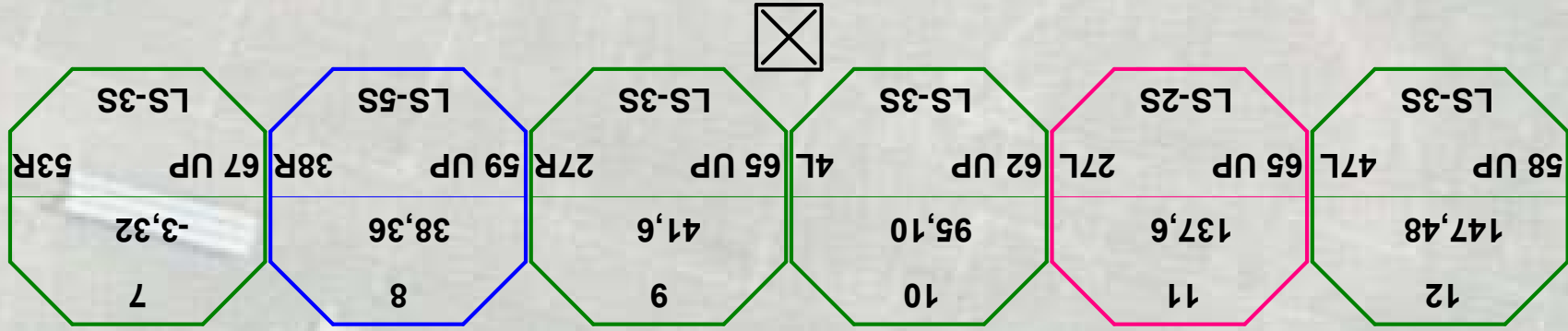
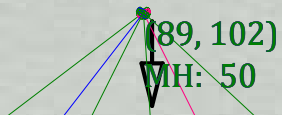
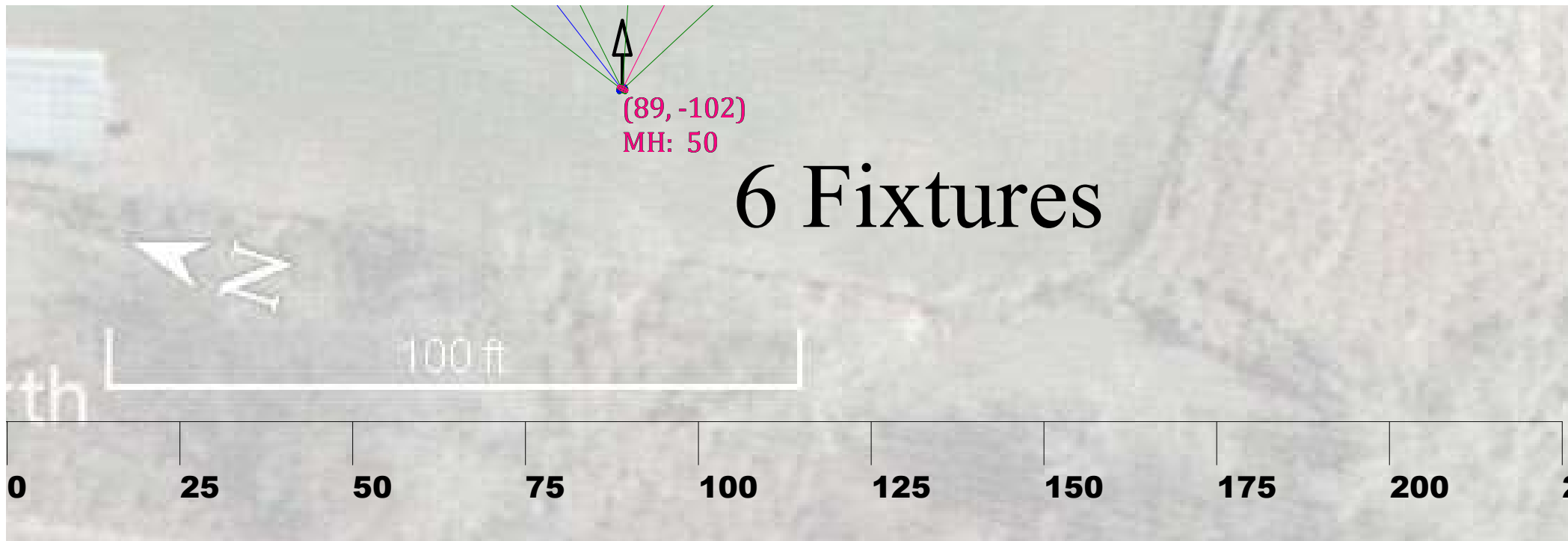


Diagram Height = 50
Actual Location (X,Y) = 90, 101
Reference Angle (CCW from +X Axis) = 270





6 Fixtures

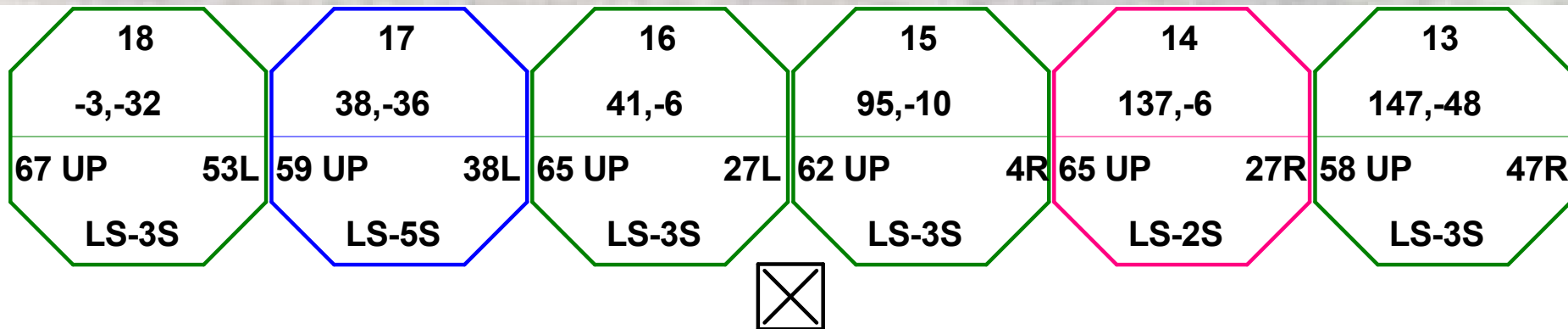


Diagram Height = 50
 Actual Location (X,Y) = 89, -102
 Reference Angle (CCW from +X Axis) = 90

-100

-125

-150

-200

-175

-150

-125

-100

-75

-50

-25

(-89, -102)
MH: 50

6 Fixtures

Google Earth

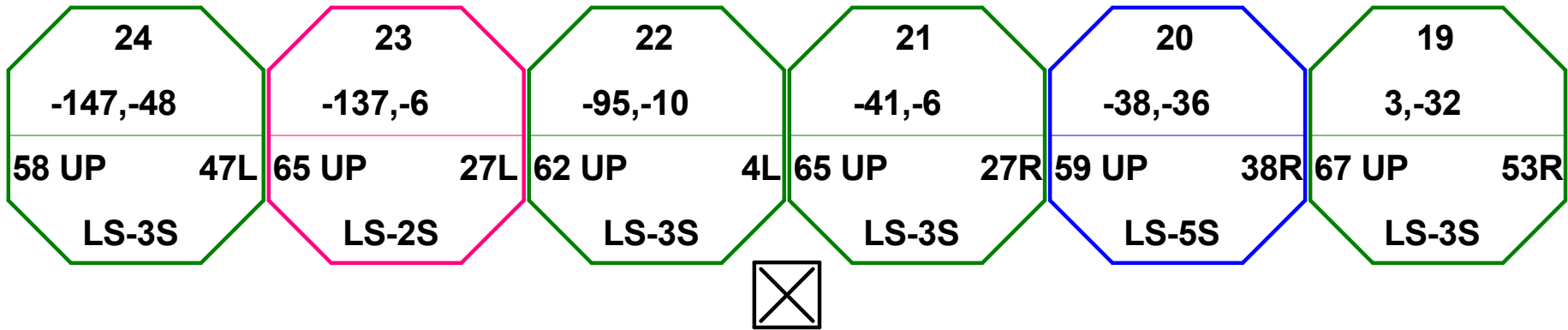


Diagram Height = 50

Actual Location (X,Y) = -89, -102

Reference Angle (CCW from +X Axis) = 90